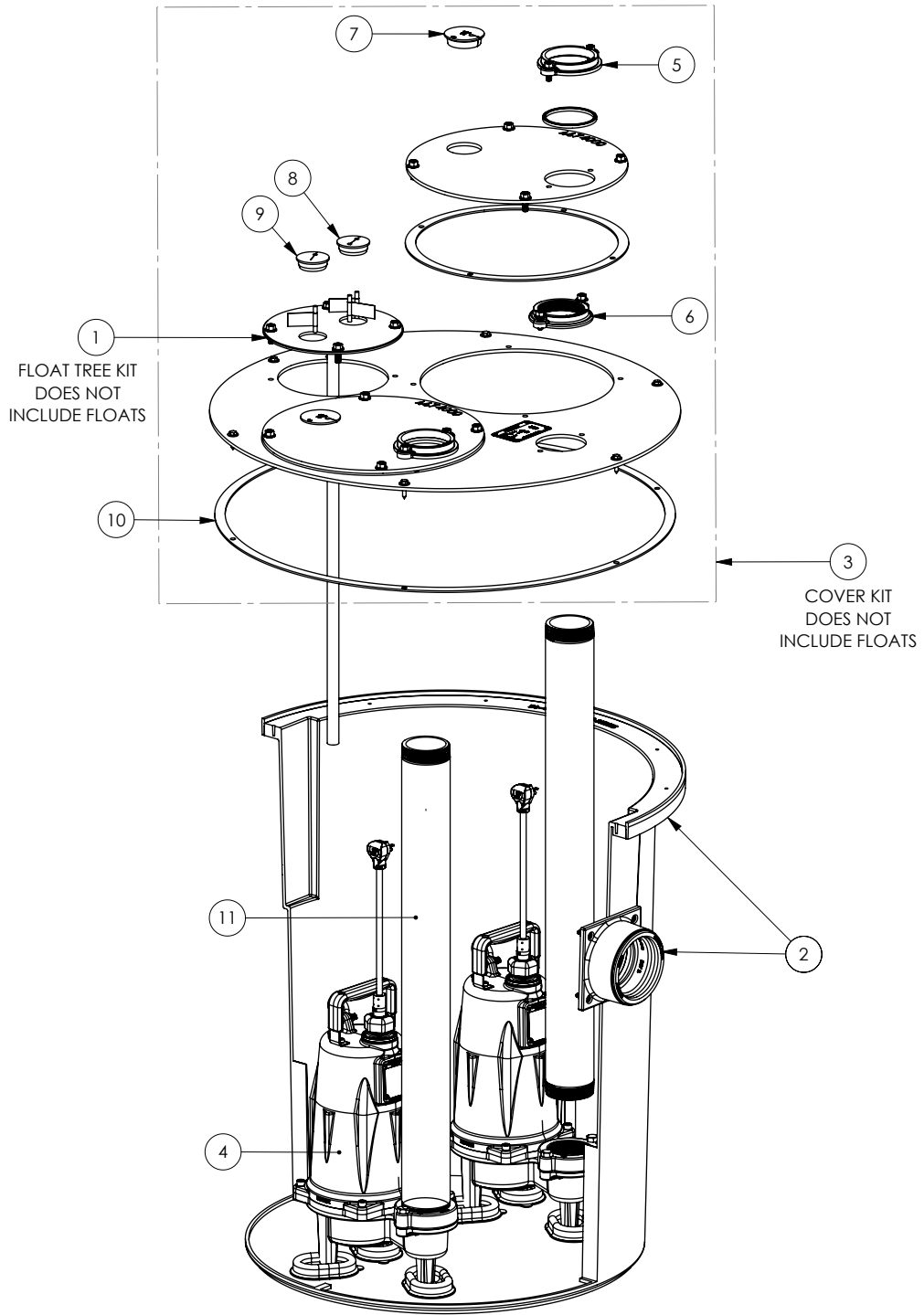


1103-LEH203M (C20)



1103-LEH203M (C20)

| # | PART # | DESCRIPTION | QTY | Note |
|----|------------|--|-----|------|
| 1 | K001203 | 10" INSPECTION COVER WITH FLOAT TREE (FLOATS NOT INCLUDED) | 1 | |
| 2 | K003000 | 1100 TANK AND HUB ASSY (TOPP) | 1 | |
| 3 | K001201 | 1100 COVER KIT 3" DISCH 3" VENT | 1 | |
| 4 | LEH203M3-2 | 2 HP SEWAGE PUMP 208-230V, 25' POWER CORD | 2 | |
| 5 | K001391 | 3" DISCHARGE FLANGE KIT | 2 | |
| 6 | K001392 | 3" VENT FLANGE KIT | 1 | |
| 7 | 4508000 | 2 1/2" STOPPER - SINGLE 5/16" HOLE | 2 | |
| 8 | 45480A0 | SINGLE HOLE STOPPER | 1 | |
| 9 | 45480B0 | 2" DOUBLE HOLE STOPPER | 1 | |
| 10 | 4039RA0 | GASKET TAPE 1/8" | 1 | |
| 11 | 4067000 | NIPPLE 3X36 SCH80 PVC | 2 | |