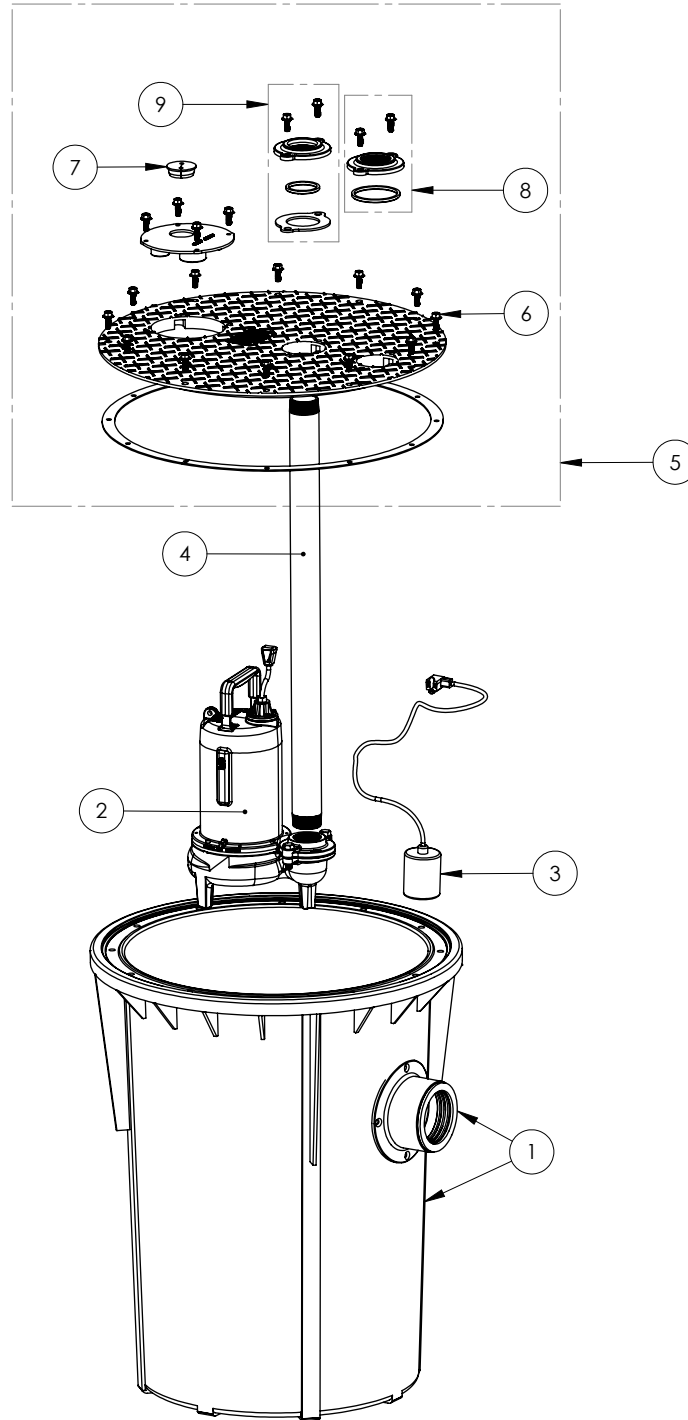


702/LE102A (B10)



702/LE102A**702/LE102A (B10)**

#	PART #	DESCRIPTION	QTY	Note
1	K001199	700 SERIES TANK AND CAST IRON HUB KIT	1	
2	LE102M2	1 HP SEWAGE PUMP 208-230V 10' POWER CORD	1	
3	K001019	61140A0 PUMP SWITCH, 10' 230V, INCLUDES MOUNTING HARDWARE	1	
4	4068000	NIPPLE 2x36 PVC SCH 80	1	
5	K001217	700 SERIES COVER ASSEMBLY	1	
6	1176000	SCREW FLANGE HEAD 3/8"-16	20	
7	45480B0	2" DOUBLE HOLE STOPPER	1	
8	K001390	2" VENT FLANGE KIT	1	
9	K001389	2" DISCHARGE FLANGE KIT	1	