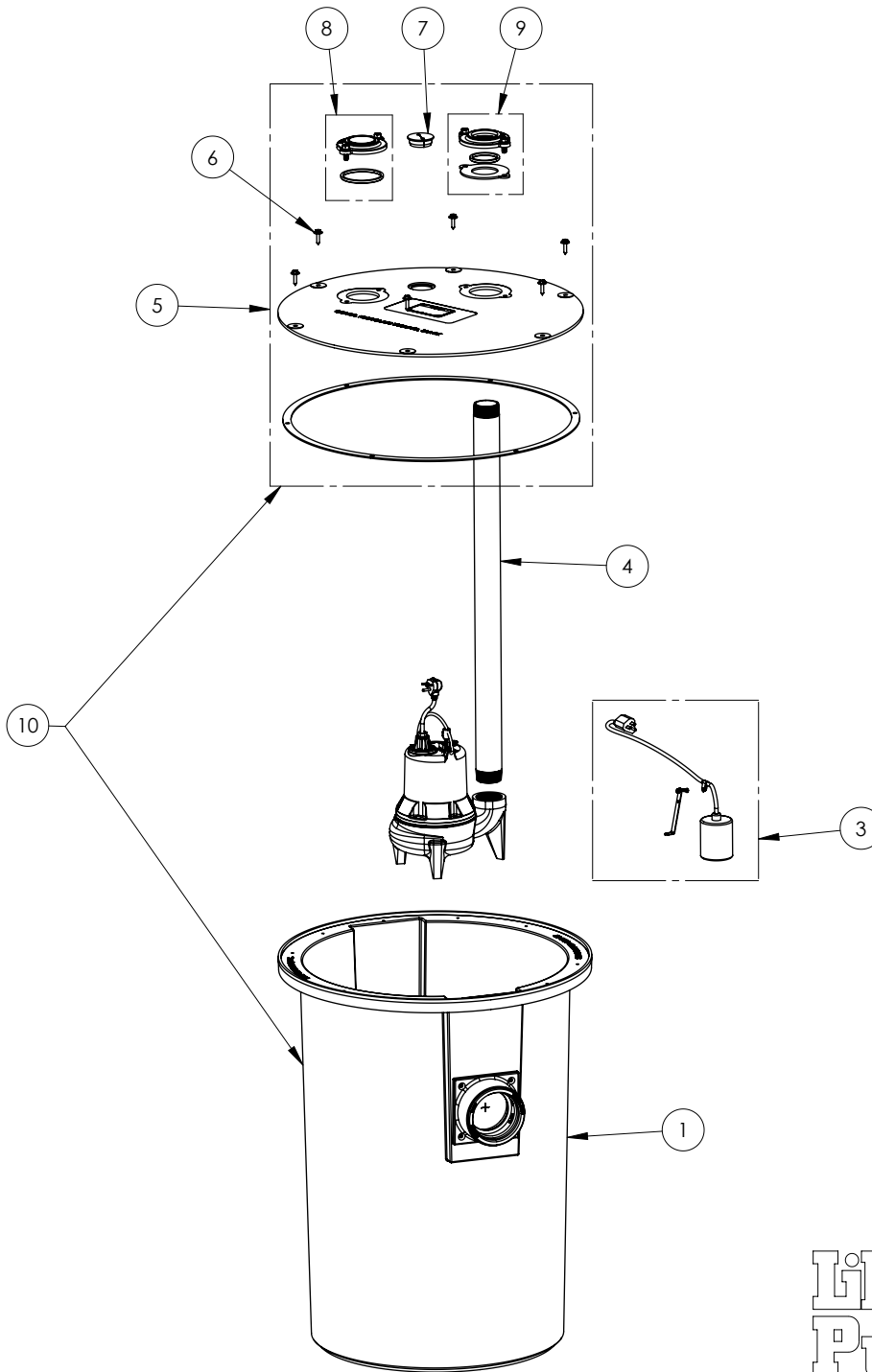


702_LE52A (C20)



702 LE52A (C20)

#	PART #	DESCRIPTION	QTY	Note
1	K001964	70 GAL TANK & HUB STRUCTURAL FOAM	1	
2	LE52M	1/2 HP SEWAGE PUMP 230V, 10' POWER CORD	1	
3	K001019	61140A0 PUMP SWITCH, 10' 230V, INCLUDES MOUNTING HARDWARE	1	
4	4068000	NIPPLE 2x36 PVC SCH 80	1	
5	K001262	SIMPLX COVER 2X2X24 KIT	1	
6	5447000	SCREW 1/4" X 1.15" LONG LAG, WASHER HEAD	6	
7	45480B0	2" DOUBLE HOLE STOPPER	1	
8	K001390	2" VENT FLANGE KIT	1	
9	K001389	2" DISCHARGE FLANGE KIT	1	
10	K001960	STRCTL FM TANK AND FIBERGLASS CVR KIT	1	