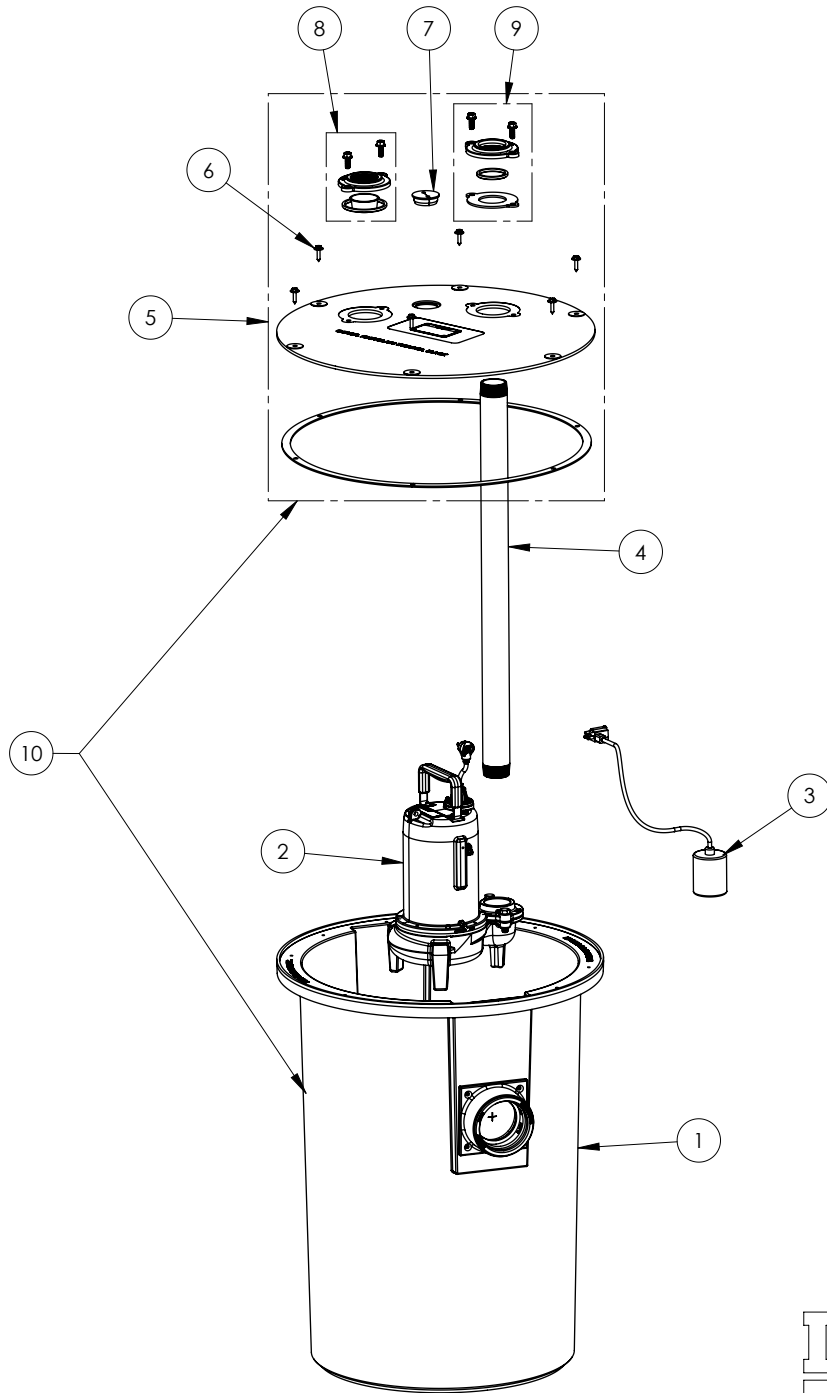


702/LE71A

702/LE71A (C20)



Liberty
Pumps®

702/LE71A (C20)

| # | PART # | DESCRIPTION | QTY | Note |
|----|---------|---|-----|------|
| 1 | K001964 | 70 GAL TANK & HUB STRUCTURAL FOAM | 1 | |
| 2 | LE71A2 | 3/4 HP SEWAGE PUMP 115V, 10' POWER CORD | 1 | |
| 3 | K001001 | PUMP SWITCH KIT, INCLUDES MOUNTING HARDWARE | 1 | |
| 4 | 4068000 | NIPPLE 2x36 PVC SCH 80 | 1 | |
| 5 | K001262 | SIMPLX COVER 2X2X24 KIT | 1 | |
| 6 | 5447000 | SCREW 1/4" X 1.15" LONG LAG, WASHER HEAD | 6 | |
| 7 | 45480B0 | 2" DOUBLE HOLE STOPPER | 1 | |
| 8 | K001390 | 2" VENT FLANGE KIT | 1 | |
| 9 | K001389 | 2" DISCHARGE FLANGE KIT | 1 | |
| 10 | K001960 | STRCTL FM TANK AND FIBERGLASS CVR KIT | 1 | |