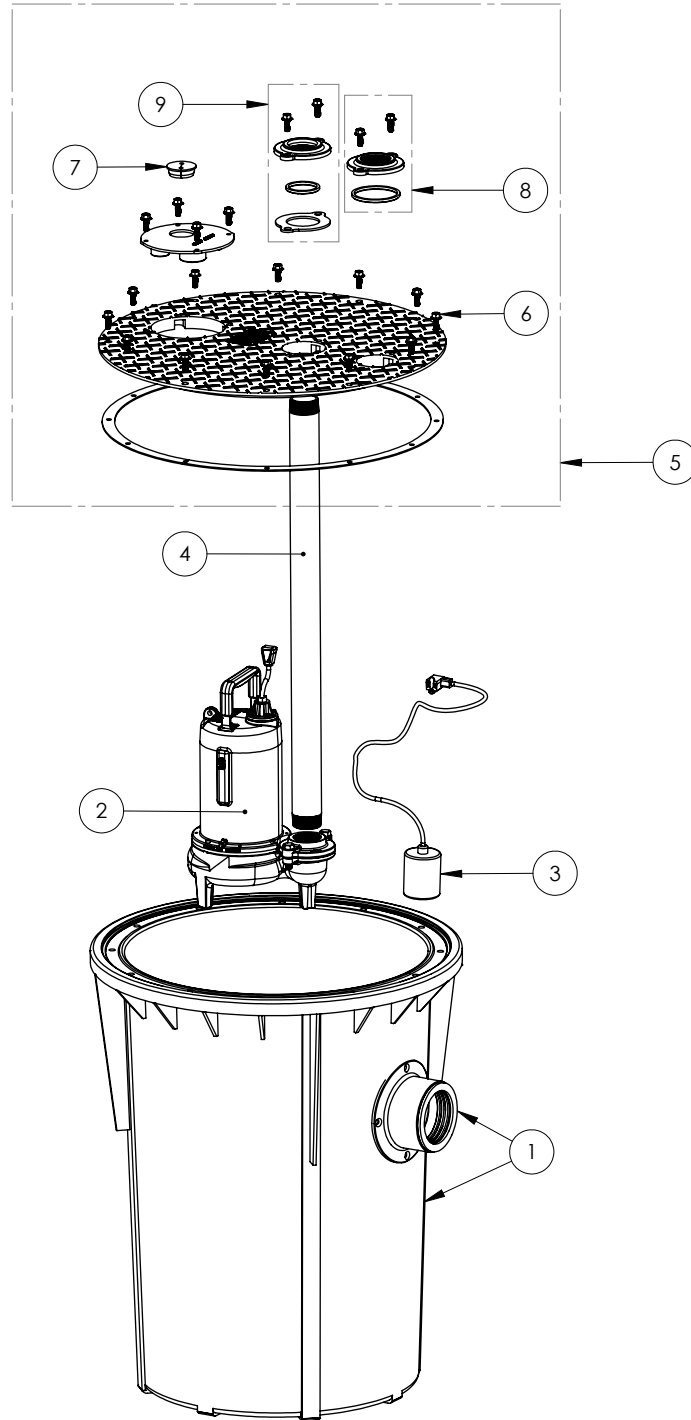


702/LE72A (B10)



702/LE72A (B10)

| # | PART # | DESCRIPTION | QTY | Note |
|---|---------|--|-----|------|
| 1 | K001199 | 700 SERIES TANK AND CAST IRON HUB KIT | 1 | |
| 2 | LE72M2 | 3/4 HP SEWAGE PUMP 208-230V 10' POWER CORD | 1 | |
| 3 | K001019 | 61140A0 PUMP SWITCH, 10' 230V, INCLUDES MOUNTING HARDWARE | 1 | |
| 4 | 4068000 | NIPPLE 2x36 PVC SCH 80 | 1 | |
| 5 | K001217 | 700 SERIES COVER ASSEMBLY | 1 | |
| 6 | 1176000 | SCREW FLANGE HEAD 3/8"-16 | 20 | |
| 7 | 45480B0 | 2" DOUBLE HOLE STOPPER | 1 | |
| 9 | K001389 | 2" DISCHARGE FLANGE KIT | 1 | |
| 8 | K001390 | 2" VENT FLANGE KIT | 1 | |