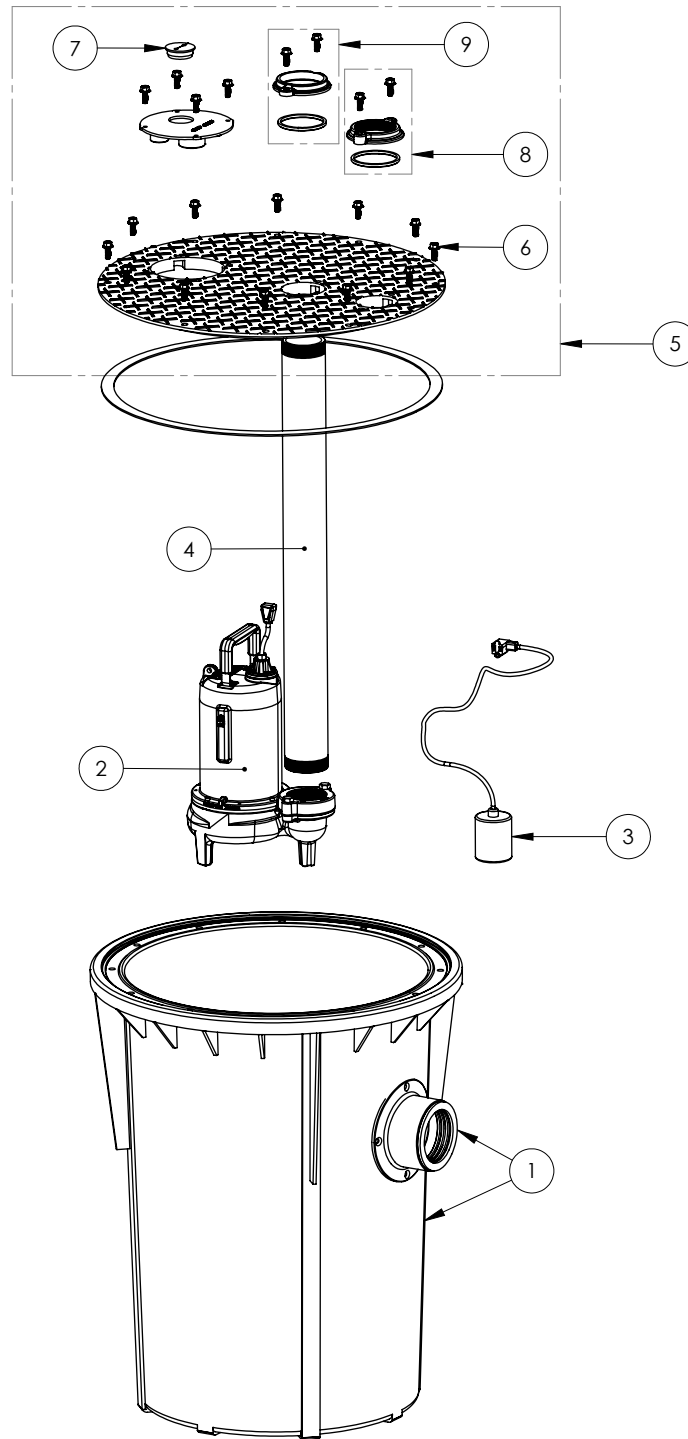


703/LE102A (B10)



**703/LE102A****703/LE102A (B10)**

#	PART #	DESCRIPTION	QTY	Note
1	K001199	700 SERIES TANK AND CAST IRON HUB KIT	1	
2	LE102M3	1 HP SEWAGE PUMP 208-230V, 10' POWER CORD	1	
3	K001019	61140A0 PUMP SWITCH, 10' 230V, INCLUDES MOUNTING HARDWARE	1	
4	4067000	NIPPLE 3X36 SCH80 PVC	1	
5	K001218	SMPLEX COVER 3X3X24	1	
6	1176000	SCREW FLANGE HEAD 3/8"-16	20	
7	45480B0	2" DOUBLE HOLE STOPPER	1	
8	K001392	3" VENT FLANGE KIT	1	
9	K001391	3" DISCHARGE FLANGE KIT	1	

---

703/LE102A (B10)

703\_LE102A (B10)

PAGE