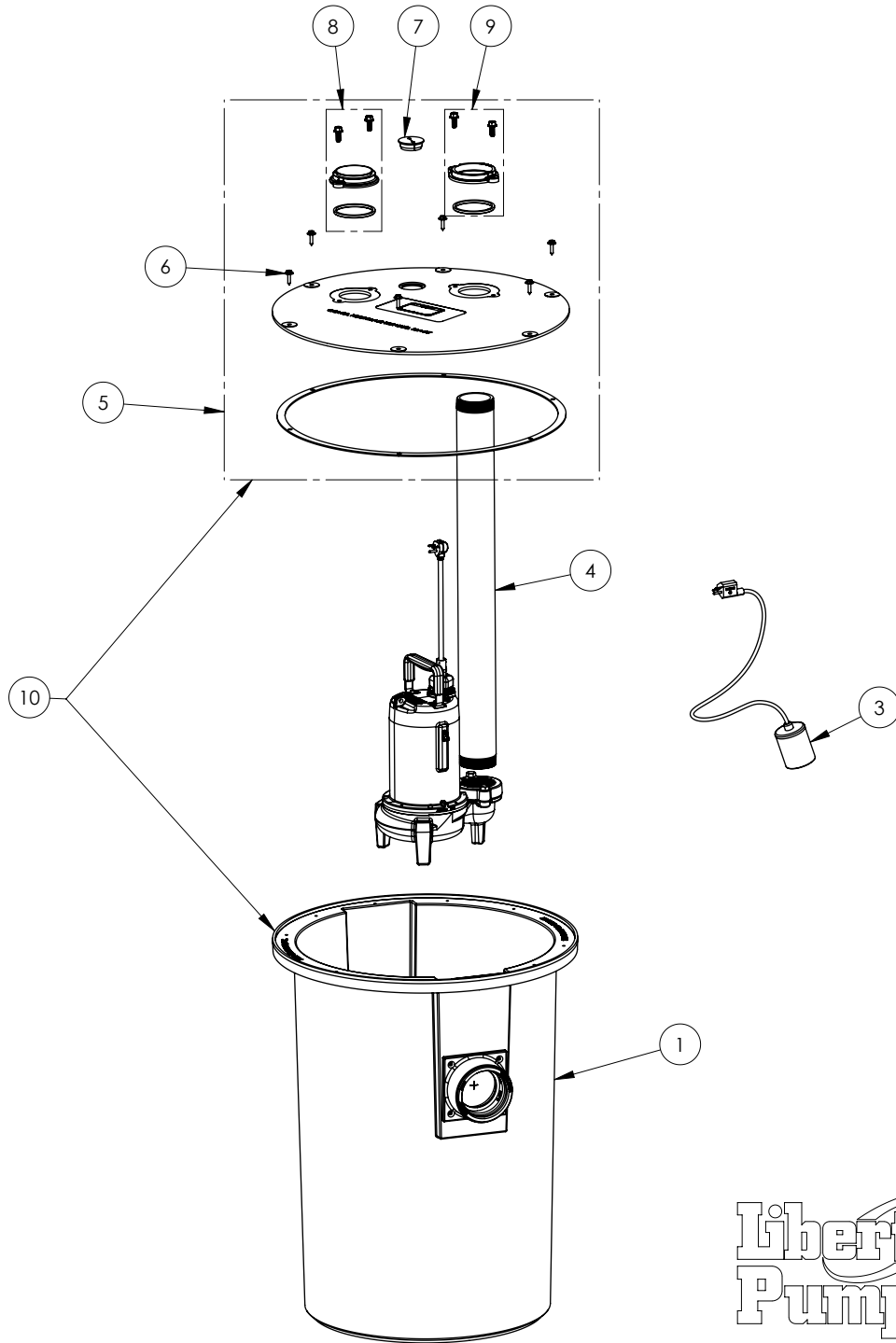


703_LEH102A C20)



703_LEH102A C20)

#	PART #	DESCRIPTION	QTY	Note
1	K001964	70 GAL TANK & HUB STRUCTURAL FOAM	1	
2	LEH102A3	1 HP SEWAGE PUMP 208-230V, 10' POWER CORD	1	
3	K001065	61290A0 FLOAT SWITCH, 230V, 10 FOOT CORD	1	
4	4067000	NIPPLE 3X36 SCH80 PVC	1	
5	K001263	COVER ASSY SMPLX 3X3X24	1	
6	5447000	SCREW 1/4" X 1.15" LONG LAG, WASHER HEAD	6	
7	45480B0	2" DOUBLE HOLE STOPPER	1	
8	K001392	3" VENT FLANGE KIT	1	
9	K001391	3" DISCHARGE FLANGE KIT	1	
10	K001963	703 BASIN CVR ASSY 3X3X24	1	