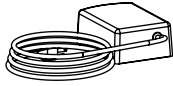


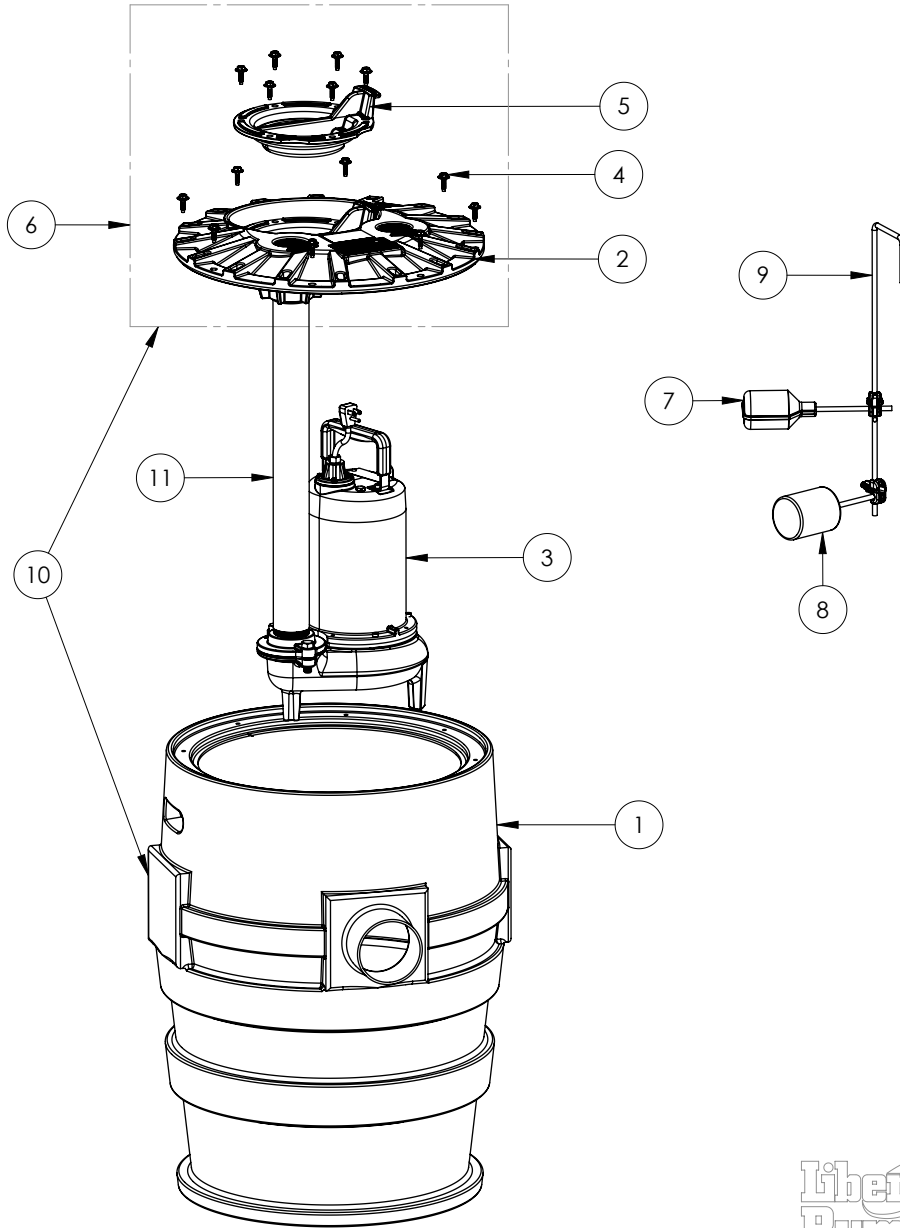
P372LE72

P372LE72 (B10)

NOTE: NOT ALL SYSTEMS COME WITH ALARM



| ALARM OPTIONS | ADD SUFFIX | LABEL EXAMPLE | PART NUMBER |
|---------------|------------|---------------|-------------|
| ALM-2 | /A2 | P382LE41/A2 | 6224000 |
| ALM-2W | /A2W | P382LE41/A2W | 6626000 |
| ALM-2-1 | /A21 | 382LE41/A21 | 6222000 |



P372LE72

P372LE72 (B10)

| # | PART # | DESCRIPTION | QTY | Note |
|----|-------------------------------|--|-----|------|
| 1 | K001132 | 41 GALLON TANK | 1 | |
| 2 | 50340A0 | 2X2 COVER, 8 BOLTS, FOR PVC PIPE | 1 | |
| 3 | LE72M2 | 3/4 HP SEWAGE PUMP 208-230V 10' POWER CORD | 1 | |
| 4 | K001162 | COVER HARDWARE, WASHER HEAD HEX SCREWS 14 INCLUDED IN KIT (8 BOLT) | 1 | |
| 5 | K001233 | INSPECTION COVER, INCLUDES MOUNTING SCREWS (6) | 1 | |
| 6 | K001101 | COVER ASY 2X2, 8 BOLTS, FOR PVC PIPE | 1 | |
| 7 | Pro Series Alarm switch (B10) | REPLACEMENT SWITCH BASED ON SYSTEM LABEL | 1 | [1] |
| 8 | K001019 | 61140A0 PUMP SWITCH, 10' 230V, INCLUDES MOUNTING HARDWARE | 1 | |
| 9 | K001123 | QUICKTREE KIT, ROD & CLAMPS ONLY | 1 | |
| 10 | K001108 | P372 TANK & 2X2 COVER ASSEMBLY | 1 | |
| 11 | K001664 | 2" PVC PIPE FOR 30" TANK, 23-5/8" LONG | 1 | |
| | K001054 | 61130A0 PUMP SWITCH, 10' 115V | 1 | |
| | K001144 | 61130B0 PUMP SWITCH, 25' 115V | 1 | |
| | K001134 | FLOAT SWITCH, 20FT CORD, INCLUDES 1 SWITCH PER KIT | 1 | |
| | K001415 | 60050D0 SWITCH, 10' PILOT DUTY PIGTAIL | 1 | |

PART NOTES:

- [1] - **NOTE**
- ALARM SWITCH KITS
- For /A2 Suffix of model number use Part No. K001134
- For /A21 Suffix of model number use Part No. K001415
- For /A2W Suffix of model number use Part No. K001134