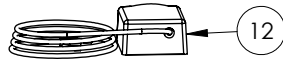
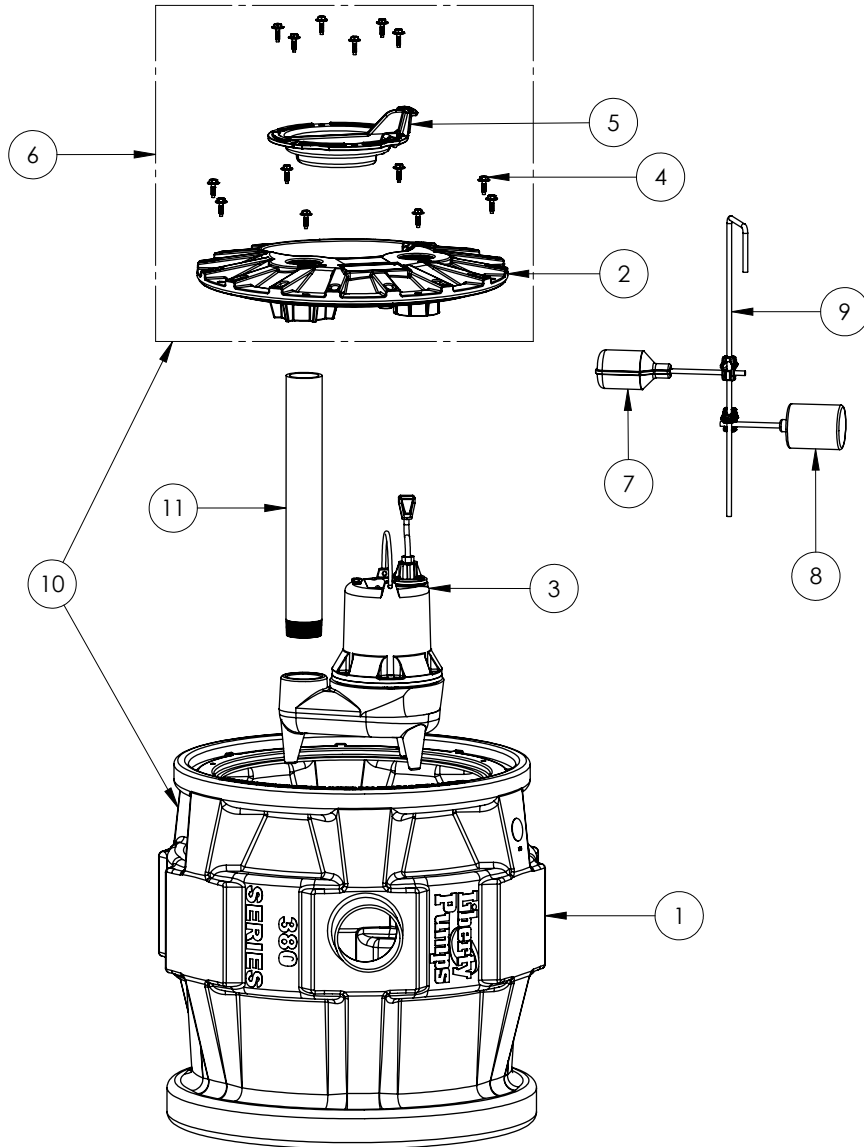


P382LE52 (B10)



NOTE: NOT ALL SYSTEMS
COME WITH ALARM



P382LE52 (B10)

#	PART #	DESCRIPTION	QTY	Note
1	K001110	PRO380 SERIES 24" BASIN	1	
2	50340A0	2X2 COVER, 8 BOLTS, FOR PVC PIPE	1	
3	LE52M	1/2 HP SEWAGE PUMP 230V, 10' POWER CORD	1	
4	K001162	COVER HARDWARE, WASHER HEAD HEX SCREWS 14 INCLUDED IN KIT (8 BOLT)	1	
5	K001233	INSPECTION COVER, INCLUDES MOUNTING SCREWS (6)	1	
6	K001101	COVER ASY 2X2, 8 BOLTS, FOR PVC PIPE	1	
7	Pro Series Alarm switch (B10)	REPLACEMENT SWITCH BASED ON SYSTEM LABEL	1	[1]
8	K001019	61140A0 PUMP SWITCH, 10' 230V, INCLUDES MOUNTING HARDWARE	1	
9	K001123	QUICKTREE KIT, ROD & CLAMPS ONLY	1	
10	K001107	P382 TANK & 2X2 COVER ASSEMBLY	1	
11	K001399	PRO SERIES PIPE KIT 2" SCH80 X17.50"	1	
12	SEE NOTE FOR ALARM	ALARM ONLY		[2]
13	K001431	61140B0 PUMP SWITCH, 25' 230V	1	
14	K001134	FLOAT SWITCH, 20FT CORD, INCLUDES 1 SWITCH PER KIT	1	
15	K001415	60050D0 SWITCH, 10' PILOT DUTY PIGTAIL	1	
16	K001019	61140A0 PUMP SWITCH, 10' 230V, INCLUDES MOUNTING HARDWARE	1	

PART NOTES:

- [1] - **NOTE**
 ALARM SWITCH KITS
 For /A2 Suffix of model number use Part No. K001134
 For /A2I Suffix of model number use Part No. K001415
 For /A2W Suffix of model number use Part No. K001134
- [2] - ALARM PRO SERIES
 FOR A2 SUFFIX OF MODEL
 NUMBER: USE PART NO 6225000
 FOR A2W SUFFIX OF MODEL
 NUMBER: USE PART NO 6226000
 FOR A2I SUFFIX OF MODE
 NUMBER: USE PART NO 6242000
 Part requires factory authorized service. Contact Liberty Pumps at 1-800-543-2550