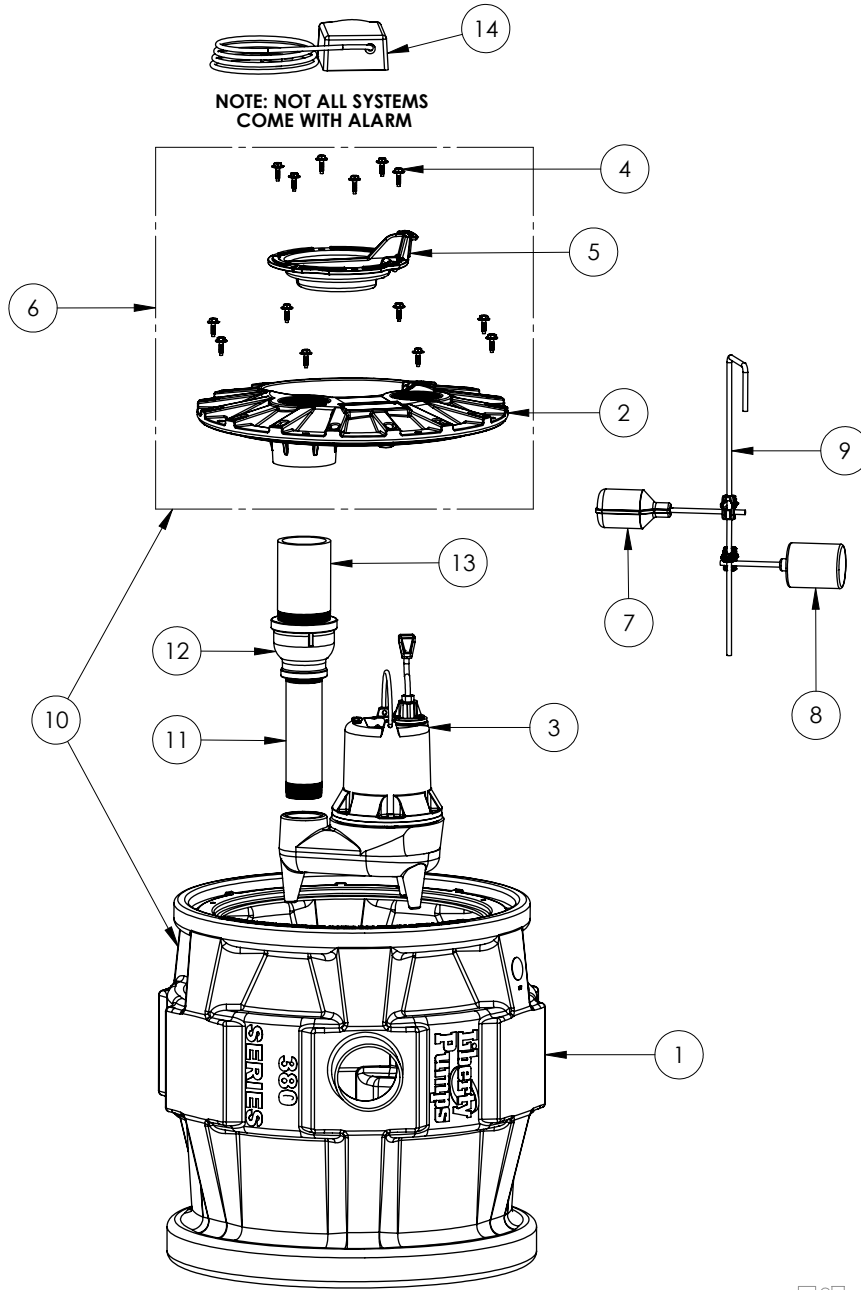


P383LE41 (B10)



P383LE41 (B10)

#	PART #	DESCRIPTION	QTY	Note
1	K001110	PRO380 SERIES 24" BASIN	1	
2	50350A0	3X3 COVER, 8 BOLTS, FOR PVC PIPE	1	
3	LE41M	4/10 HP SEWAGE PUMP 115V, 10' POWER CORD	1	
4	K001162	COVER HARDWARE, WASHER HEAD HEX SCREWS 14 INCLUDED IN KIT (8 BOLT)	1	
5	K001233	INSPECTION COVER, INCLUDES MOUNTING SCREWS (6)	1	
6	K001102	3X3 COVER ASSEMBLY	1	
7	Pro Series Alarm switch (B10)	REPLACEMENT SWITCH BASED ON SYSTEM LABEL	1	[1]
8	K001054	61130A0 PUMP SWITCH, 10' 115V	1	
9	K001123	QUICKTREE KIT, ROD & CLAMPS ONLY	1	
10	K001102	3X3 COVER ASSEMBLY	1	
11	40400A0	2" SCH80 PVC PIPE	1	
12	4016000	3X2 REDUCER, STEEL COUPLING	1	
13	40660D0	3" SCH80 PVC PIPE	1	
14	SEE NOTE FOR ALARM	ALARM ONLY		[2]
15	K001054	61130A0 PUMP SWITCH, 10' 115V	1	
16	K001144	61130B0 PUMP SWITCH, 25' 115V	1	
17	K001134	FLOAT SWITCH, 20FT CORD, INCLUDES 1 SWITCH PER KIT	1	
18	K001415	60050D0 SWITCH, 10' PILOT DUTY PIGTAIL	1	

PART NOTES:

- [1] - **NOTE**
- ALARM SWITCH KITS
- For /A2 Suffix of model number use Part No. K001134
- For /A21 Suffix of model number use Part No. K001415
- For /A2W Suffix of model number use Part No. K001134
- [2] - ALARM PRO SERIES
- FOR A2 SUFFIX OF MODEL
- NUMBER: USE PART NO 6225000
- FOR A2W SUFFIX OF MODEL
- NUMBER: USE PART NO 6226000
- FOR A21 SUFFIX OF MODE
- NUMBER: USE PART NO 6242000
- Part requires factory authorized service. Contact Liberty Pumps at 1-800-543-2550