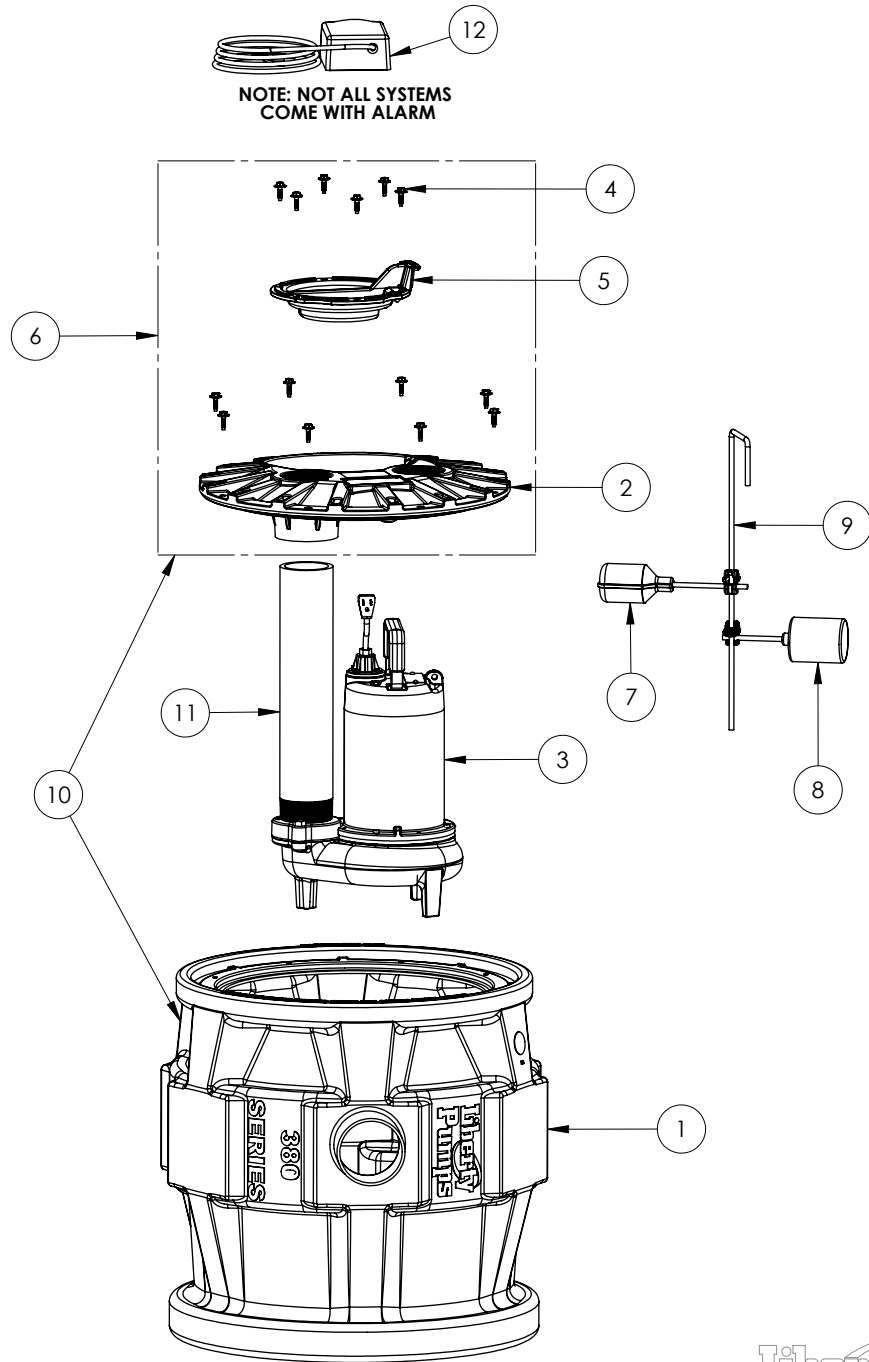


P383LEH102 (B10)



NOTE: NOT ALL SYSTEMS  
COME WITH ALARM



## P383LEH102 (B10)

#	PART #	DESCRIPTION	QTY	Note
1	K001110	PRO380 SERIES 24" BASIN	1	
2	50350A0	3X3 COVER, 8 BOLTS, FOR PVC PIPE	1	
3	LEH102M3	1 HP SEWAGE PUMP 208-230V, 10' POWER CORD	1	
4	K001162	COVER HARDWARE, WASHER HEAD HEX SCREWS 14 INCLUDED IN KIT (8 BOLT)	1	
5	K001233	INSPECTION COVER, INCLUDES MOUNTING SCREWS (6)	1	
6	K001102	3X3 COVER ASSEMBLY	1	
7	Pro Series Alarm switch (B10)	REPLACEMENT SWITCH BASED ON SYSTEM LABEL	1	[1]
8	K001065	61290A0 FLOAT SWITCH, 230V, 10 FOOT CORD	1	
9	K001123	QUICKTREE KIT, ROD & CLAMPS ONLY	1	
10	K001130	P383 TANK AND 3 COVER ASSEMBLY	1	
11	40660B0	3" SCH80 PVC PIPE FOR 24" TANK, 17-1/8" LONG	1	
12	SEE NOTE FOR ALARM	ALARM ONLY		[2]
13	K001065	61290A0 FLOAT SWITCH, 230V, 10 FOOT CORD	1	
14	K001186	SWITCH KIT, 230V, 25ft CORD	1	
15	K001134	FLOAT SWITCH, 20FT CORD, INCLUDES 1 SWITCH PER KIT	1	
16	K001415	60050D0 SWITCH, 10' PILOT DUTY PIGTAIL	1	

**PART NOTES:**

- [1] - **\*\*NOTE\*\***
- ALARM SWITCH KITS
- For /A2 Suffix of model number use Part No. K001134
- For /A21 Suffix of model number use Part No. K001415
- For /A2W Suffix of model number use Part No. K001134
- [2] - ALARM PRO SERIES
- FOR A2 SUFFIX OF MODEL
- NUMBER: USE PART NO 6225000
- FOR A2W SUFFIX OF MODEL
- NUMBER: USE PART NO 6226000
- FOR A21 SUFFIX OF MODE
- NUMBER: USE PART NO 6242000
- Part requires factory authorized service. Contact Liberty Pumps at 1-800-543-2550