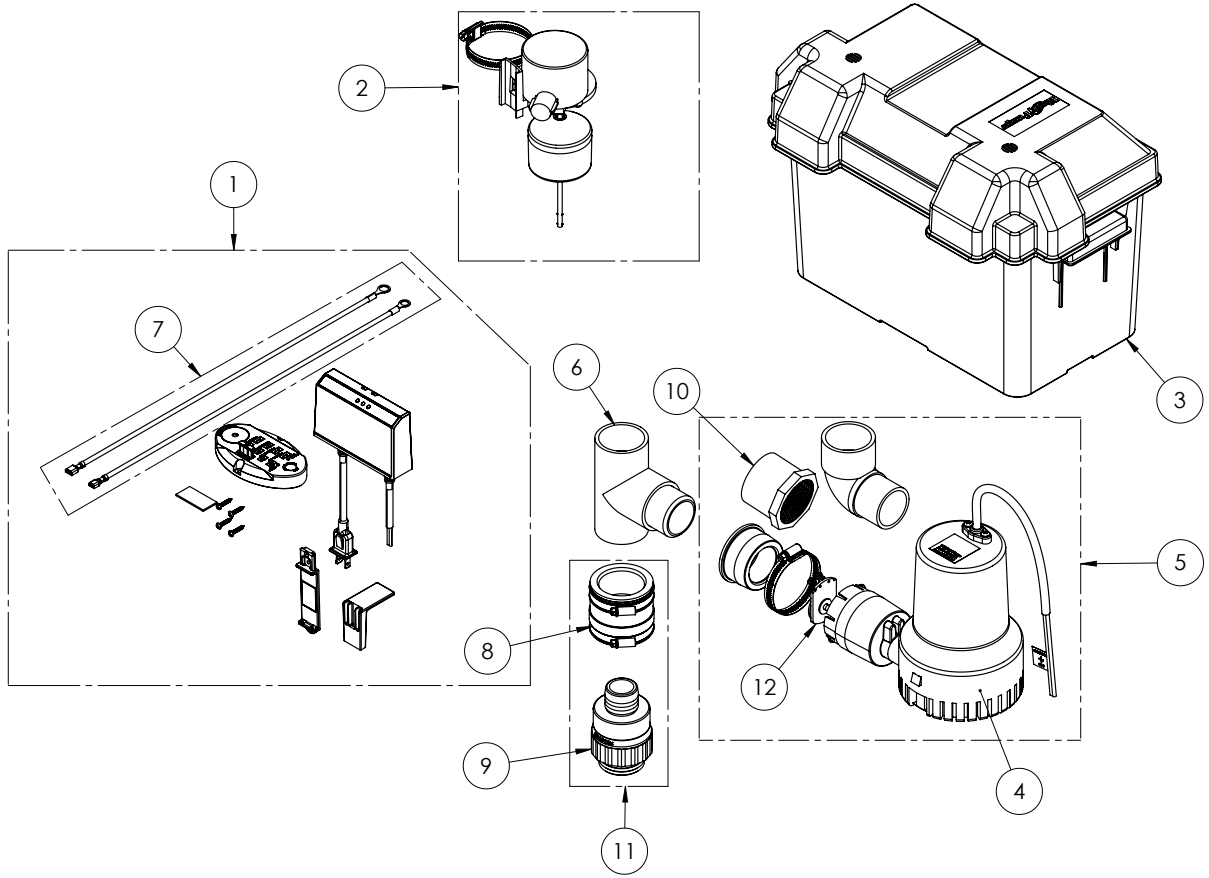


441 (C13)



441 (C13)

#	PART #	DESCRIPTION	QTY	Note
1	K001918	CHARGER KIT, 441 1.5A	1	
2	K001240	FLOAT SWITCH	1	
3	K001121	BATTERY CASE	1	
4	44110A0	12V DC BATTERY PUMP	1	
5	K001927	441 BACKUP PUMP REPLACEMENT KIT	1	
6	1064000	1.5 IM GLUED PVC TEE ASSEMBLY	1	
8	6706200	PVC FLEXIBLE COUPLING ASSY	1	
7	K001120	BATTERY LEAD (INCLUDES TWO)	1	
9	CV150-125T	CHECK VALVE 1.5" THREAD, 1.25" BARB	1	
10	4370000	BUSHING 1-1/2 X 1/14 REDUCERADAPTS NEW PUMP TO EXISTING SYSTEM (IN K001927)	1	
11	K001762	KIT FLEX CPLG ADAPT, THREADED CHK VALVE	1	
12	K002029	KIT CHECK VALVE 441,442 BATTERY BACKUP	1	