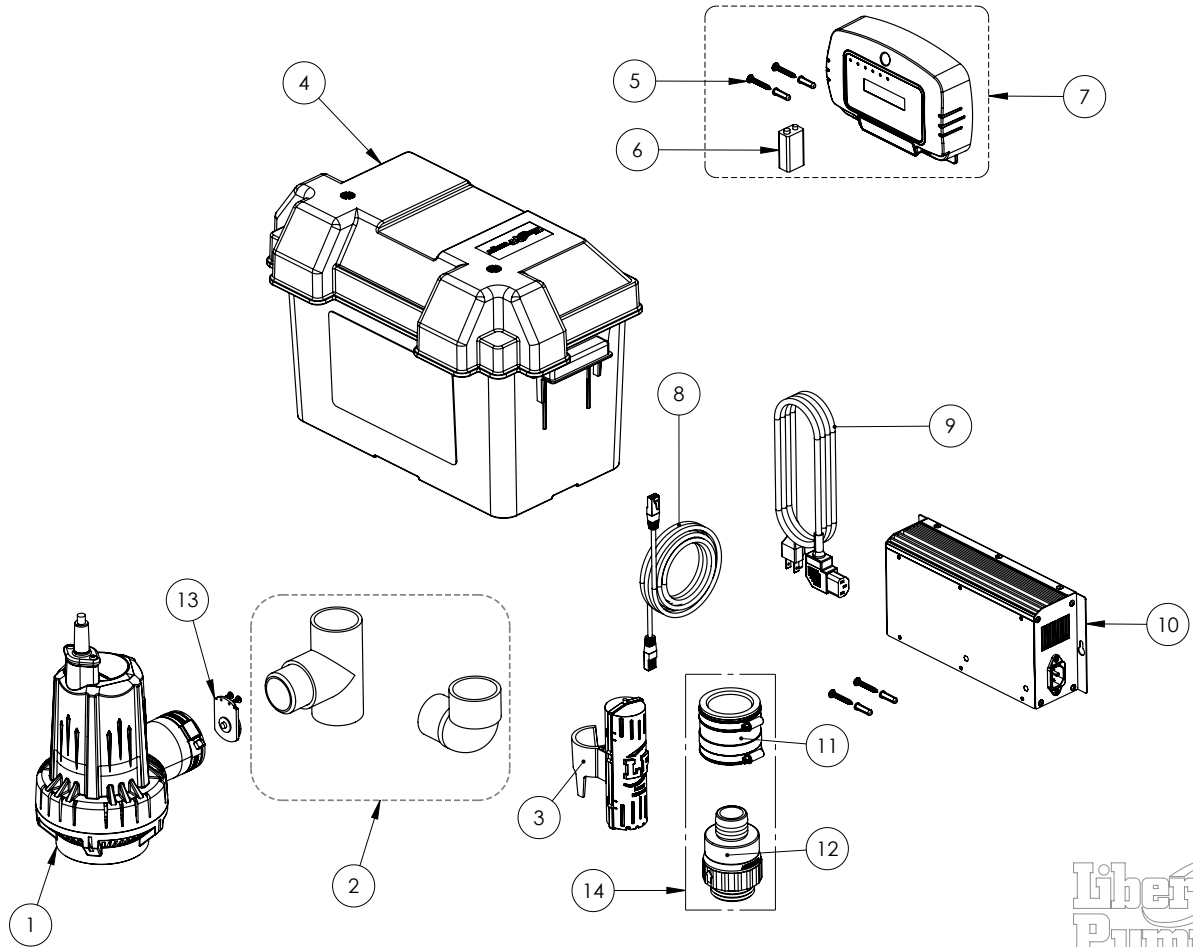


# 442-10A (B93)



## 442-10A (B93)

#	PART #	DESCRIPTION	QTY	Note
1	K001575	442 REPLACEMENT PUMP	1	
2	K001576	1.5" PVC TEE AND STREET ELBOW KIT (TEE AND ELBOW ONLY)	1	
3	K001577	DUAL REED SWITCH ASSEMBLY KIT	1	
4	K001574	STORM CELL SINGLE BATTERY BOX	1	
5	2119000	FASTENER-ALM SERIES MOUNTING	1	
6	K001567	KIT, BATTERY 9V, 625MAH	1	
7	K001616	INTERFACE, 442 CHARGER	1	
8	K001578	8FT ETHERNET CABLE	1	
9	K001579	CHARGER POWER CORD	1	
10	K001580	10A CHARGER AND PWR CORD KIT	1	
11	6706200	PVC FLEXIBLE COUPLING ASSY	1	
12	CV150-125T	CHECK VALVE 1.5" THREAD, 1.25" BARB	1	
13	K002029	KIT CHECK VALVE 441,442 BATTERY BACKUP	1	
14	K001762	KIT FLEX CPLG ADAPT, THREADED CHK VALVE	1	