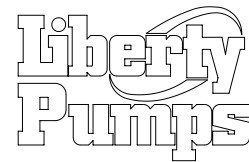
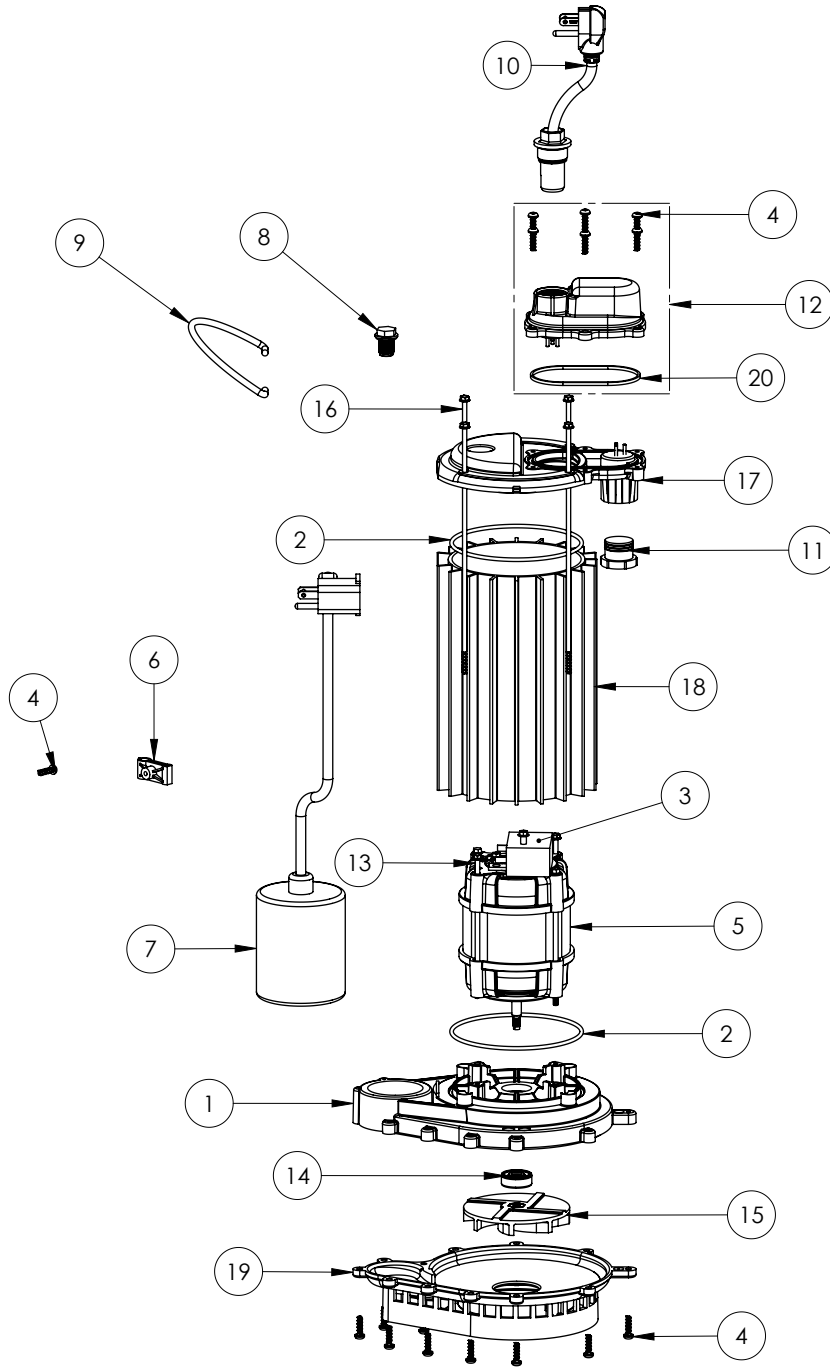


453 (B59)



453 (B59)

#	PART #	DESCRIPTION	QTY	Note
1	23310AB	MOTOR SUPPORT PLATE	1	[1]
2	2357000	O-RING	2	[1]
3	2453000	CAPACITOR	1	[1]
4	8104200	#10 HILO X 5/8" STAINLESS STEEL SCREW	20	
5	2418200	MOTOR	1	[1]
6	2319000	CLAMP, SWITCH CORD	1	
7	K002052	KIT, SWITCH FOR 453, INCLUDES CLAMP AND SCREW	1	
8	8089000	OIL PLUG, O-RING ASSEMBLY	1	
9	K001082	HANDLE	1	
10	K001010	POWER CORD, 115V, 10 FOOT CORD	1	
11	8105000	PROTECTIVE CAP	1	
12	K001749	KIT, SWITCH CHAMBER COVER	1	
13	8148200	#10 x 4-3/4" POLYFAST SCREW	2	[1]
14	K001254	3043000 5/16" SHAFT SEAL	1	[1]
15	K001168	IMPELLER	1	
16	8147200	#10 x 8.4" STAINLESS STEEL SCREW	4	[1]
17	240600B	MOTOR COVER	1	
18	23070AS	MOTOR HOUSING	1	[1]
19	233600B	BASE WITH VOLUTE ASSEMBLY	1	
20	K001046	SEALRING, CHAMBER COVER	1	
21	LPOILT1032OZ	REPLACEMENT T10 OIL, QUART BOTTLE (REF 8504000)	1	[2]

PART NOTES:

- [1] - Part requires factory authorized service. Contact Liberty Pumps at 1-800-543-2550
 [2] - Acceptable for use in all liberty Pump's oil-filled products

Acceptable for use in all liberty Pump's oil-filled products