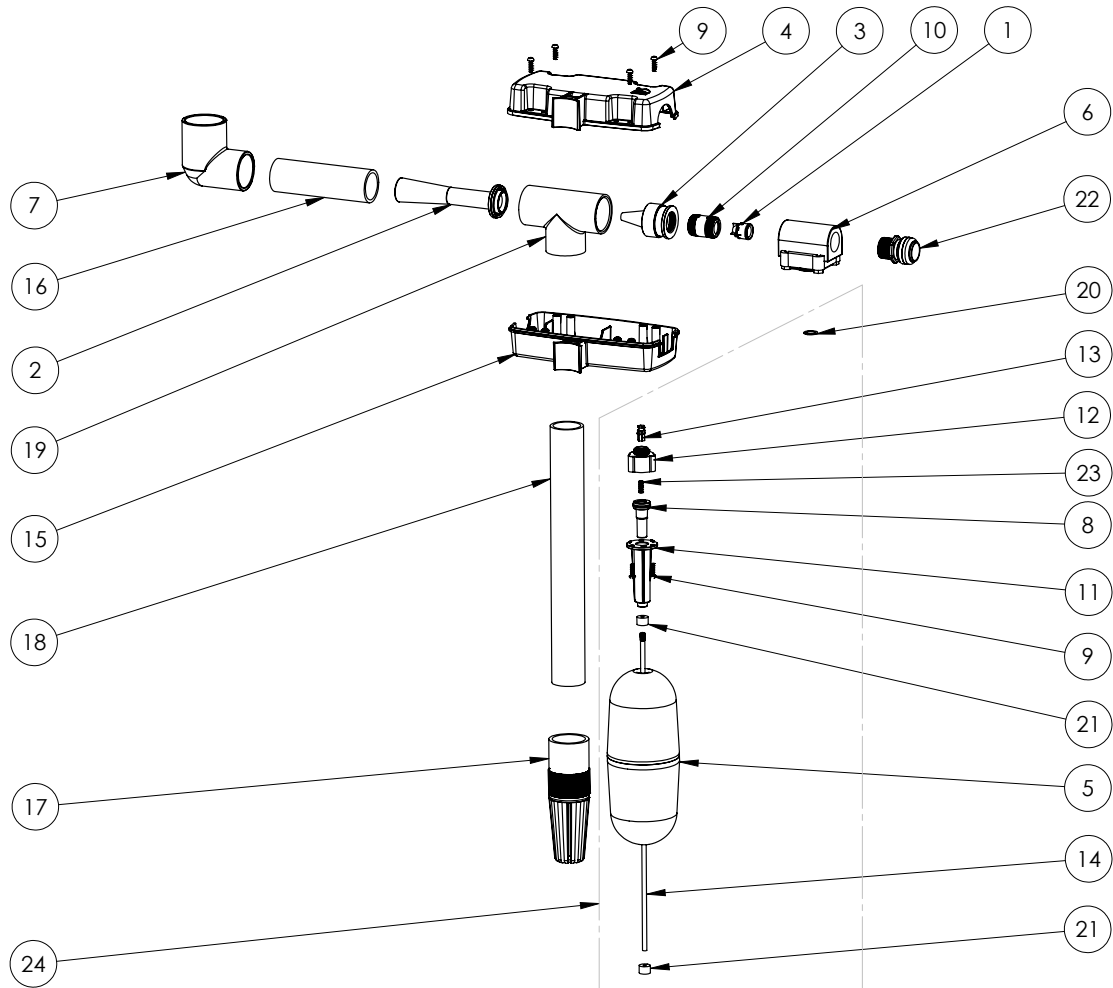


SJ10

SJ10 (B44)



SJ10

SJ10 (B44)

#	PART #	DESCRIPTION	QTY	Note
1	5813000	CHECK VALVE	1	
2	5800000	VENTURI	1	
3	5801000	NOZZLE	1	
4	5802000	TOP COVER	1	
5	5804000	FLOAT	1	
6	5805200	DIAPHRAGM VALVE ASSEMBLY	1	
7	5829000	1-1/4x1-1/2" ELBOW	1	
8	5808000	MAGNET PLUNGER	1	
9	8104200	#10 HILO X 5/8" STAINLESS STEEL SCREW	7	
10	5809000	CHECK VALVE NIPPLE	1	
11	5811000	PLUNGER COVER	1	
12	5812000	PLUNGER SHROUD	1	
13	5822000	SS SPRING & PLUNGER	1	
14	5815000	FLOAT ROD	1	
15	5803000	BOTTOM COVER	1	
16	5817000	1-1/4x5-1/4" PVC NIPPLE	1	
17	5819000	PVC STRAINER	1	
18	5821000	1-1/4x13-1/4" SCH40 PVC	1	
19	5816000	1-1/4" TEE	1	
20	5810000	GASKET WASHER, NITRILE	1	
21	1017000	FLOAT ROD STOP	2	
22	5831000	SHARKBITE FITTING	1	
23	5806000	SPRING MAGNET PLUNGER	1	
24	K001190	FLOAT SWITCH KIT	1	