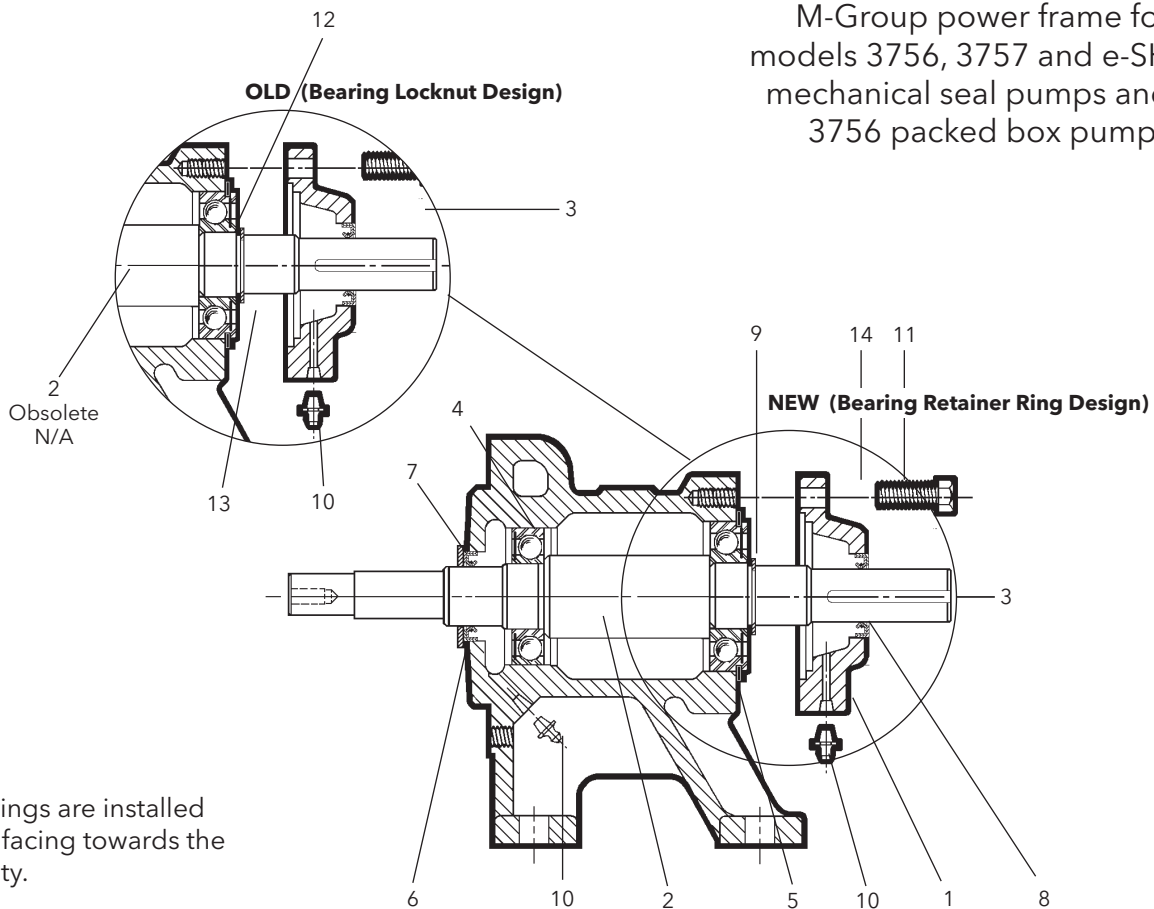


M-Group Power Frame

REPAIR PARTS



M-Group power frame for models 3756, 3757 and e-SH mechanical seal pumps and 3756 packed box pumps



Note: Bearings are installed with shield facing towards the grease cavity.

ITEM NO.	PART NO.	DESCRIPTION	MATERIAL
	14L60	Power Frame Complete, Mechanical Seal Pump	
	15K6	Power Frame Complete, Packed Box Pump	
1	1K147	Bearing cover	Cast iron
2	4K411	Shaft - mechanical seal	Steel
	4K453	Shaft - packed box	
3	4K292	Shaft key - motor end	Steel
4	4K293	Ball bearing - inboard	Steel
5	4K556	Ball bearing - outboard	Steel
6	5K163	Deflector	BUNA-N
7	5K164	Lip seal	BUNA/Steel
8	5K164	Lip seal - mechanical seal	BUNA/Steel
	5K280	Lip seal - packed box	
9	5K246	Retaining ring	Steel
10	6K80	Grease fitting - frame and bearing cover	Steel
11	13K80	Hex head cap screw - $3/8$ " - 16 x 1.25	Zinc-Plated Steel
12	13K183	Lockwasher	Zinc-Plated Steel
13	13K184	Locknut	Zinc-Plated Steel
14	13K158	Lockwasher $3/8$ "	Zinc-Plated Steel

For parts pricing and package stock quantities refer to published parts price list using "K" part no. listed above.
Shaft and mounting face duplicates NEMA 254JM dimensions.

Xylem Inc.

2881 East Bayard Street Ext., Suite A, Seneca Falls, NY 13148

Phone: (866) 673-0445 Fax: (888) 322-5877

www.xylem.com/goulds

