

BALDOR® • RELIANCE 

Product Information Packet

M1007T

3/.75HP,1725/850RPM,3PH,60HZ,184T,3623M

Part Detail							
Revision:	V	Status:	PRD/A	Change #:		Proprietary:	No
Type:	AC	Elec. Spec:	36WG039	CD Diagram:	CD0032	Mfg Plant:	
Mech. Spec:	36B001	Layout:	36LYB001	Poles:	04/08	Created Date:	
Base:	RG	Eff. Date:	01-19-2017	Leads:	6#16		

Specs			
Catalog Number:	M1007T	Heater Indicator:	No Heater
Enclosure:	OPEN	Insulation Class:	F
Frame:	184T	Inverter Code:	Not Inverter
Frame Material:	Steel	KVA Code:	F
Output @ Frequency:	3.000 HP @ 60 HZ	Lifting Lugs:	No Lifting Lugs
	.750 HP @ 60 HZ	Locked Bearing Indicator:	No Locked Bearing
Synchronous Speed @ Frequency:	1800 RPM @ 60 HZ	Motor Lead Quantity/Wire Size:	6 @ 16 AWG
Voltage @ Frequency:	208.0 V @ 60 HZ	Motor Lead Exit:	Ko Box
	230.0 V @ 60 HZ	Motor Lead Termination:	Flying Leads
XP Class and Group:	None	Motor Type:	3623M
XP Division:	Not Applicable	Mounting Arrangement:	F1
Agency Approvals:	UR	Product Family:	General Purpose
	CSA	Pulley End Bearing Type:	Ball
Auxillary Box:	No Auxillary Box	Pulley Face Code:	Standard
Auxillary Box Lead Termination:	None	Pulley Shaft Indicator:	Standard
Base Indicator:	Rigid	Rodent Screen:	None
Bearing Grease Type:	Polyrex EM (-20F +300F)	Shaft Extension Location:	Pulley End
Blower:	None	Shaft Ground Indicator:	No Shaft Grounding

Current @ Voltage:	3.000 A @ 230.0 V	Shaft Rotation:	Reversible
	8.000 A @ 208.0 V	Shaft Slinger Indicator:	No Slinger
Design Code:	-	Speed Code:	2S-1W-VT
Drip Cover:	No Drip Cover	Motor Standards:	NEMA
Duty Rating:	CONT	Starting Method:	Direct on line
Electrically Isolated Bearing:	Not Electrically Isolated	Thermal Device - Bearing:	NONE (OLD)
Feedback Device:	NO FEEDBACK	Thermal Device - Winding:	None
Front Face Code:	Standard	Vibration Sensor Indicator:	No Vibration Sensor
Front Shaft Indicator:	None	Winding Thermal 1:	None
		Winding Thermal 2:	None

Nameplate NP1256L										
CAT.NO.	M1007T									
SPEC.	36B01W39									
HP	3/.75									
VOLTS	208-230									
AMP	8/3									
RPM	1725/850									
FRAME	184T				HZ	60			PH	3
SER.F.	1.15		CODE	F	DES	-		CLASS	F	
NEMA-NOM-EFF			PF							
RATING	40C AMB-CONT									
CC									USABLE AT 208V	
DE	6206				ODE	6205				
ENCL	OPEN		SN							

Parts List		
Part Number	Description	Quantity
SA034205	SA 36B01W39	1.000 EA
RA030233	RA 36B01W39	1.000 EA
36CB3004	36 CB CASTING W/1.09 DIA LEAD HOLE @ 6:0	1.000 EA
51XB1016A08	10-16X 1/2HXWSSLD SERTYB	2.000 EA
11XW1032G06	10-32 X .38, TAPTITE II, HEX WSHR SLTD U	1.000 EA
HW3001B01	BRASS CUP WASHER, FOR #10 SCREW	1.000 EA
36EP3200A01	FR ENDPLATE, ASSEMBLY FOR ROUTING	1.000 EA
HW4500A01	1641B(ALEMITE)400 UNIV, GREASE FITT	1.000 EA
HW5100A05	WVY WSHR F/205 & 304 BRGS	1.000 EA
36PE3201A01	PU ENDPLATE, ASSEMBLY FOR ROUTING	1.000 EA
HW4500A01	1641B(ALEMITE)400 UNIV, GREASE FITT	1.000 EA
XY2520A12	1/4-20 HEX NUT, DIRECTIONAL SERRATIONS	4.000 EA
36CB4516	36 LIPPED CB LID - GALVANNEAL	1.000 EA
51XW0832A07	8-32 X .44, TAPTITE II, HEX WSHR SLTD SE	4.000 EA
HW2501E16	KEY, 1/4 SQ X 1.750	1.000 EA
HA7000A02	KEY RETAINER RING, 1 1/8 DIA, 1 3/8 DIA	1.000 EA
85XU0407S04	4X1/4 U DRIVE PIN STAINLESS	2.000 EA
MJ1000A02	GREASE, POLYREX EM EXXON (USe 4824-15A)	0.050 LB
MG1000G27	MED CHARCOAL METALLIC GREY 400-0096	0.022 GA
HA3101A23	THRUBOLT 1/4-20 X 9.625 DEMBY	4.000 EA
LB1119N	WARNING LABEL	1.000 EA
LC0032	CONNECTION LABEL	1.000 EA
NP1256L	ALUM UL CSA CC INDUSTRIAL MOTOR A60	1.000 EA
36PA1000	PKG GRP, PRINT PK1016A06	1.000 EA

Parts List (continued)		
Part Number	Description	Quantity
MN416A01	TAG-INSTAL-MAINT no wire (1200/bx) 5/18	1.000 EA

Accessories		
Part Number	Description	Multiplier
36-3403	C FACE KIT	A8
36EP1405A09SP	D-FLANGE KIT	A8

AC Induction Motor Performance Data

Record # 61308 - Typical performance - not guaranteed values

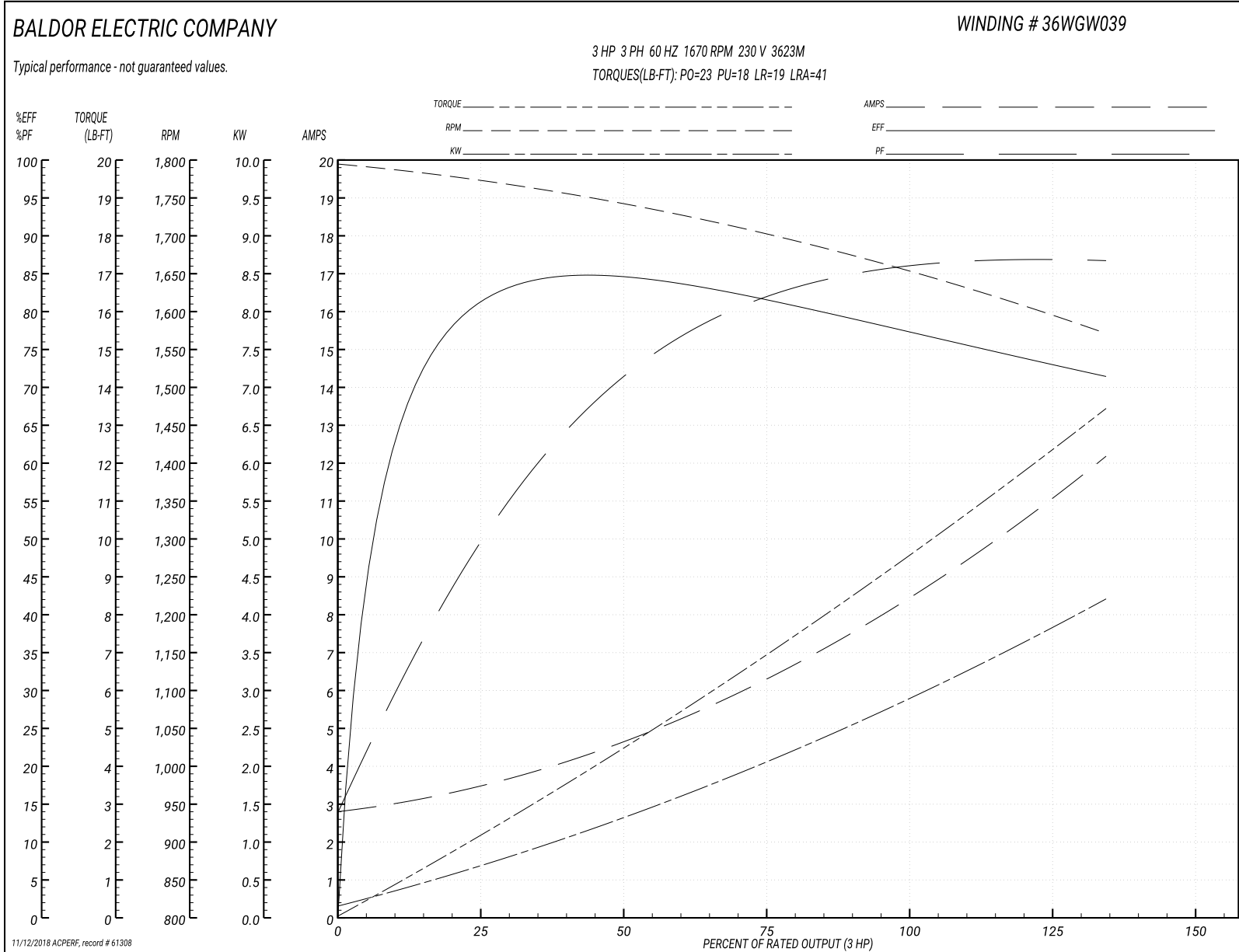
Winding: 36WGW039-R003	Type: 3623M	Enclosure: OPEN
-------------------------------	--------------------	------------------------

Nameplate Data				230 V, 60 Hz: High Voltage Connection	
Rated Output (HP)	3/.75			Full Load Torque	9 LB-FT
Volts	208-230			Start Configuration	direct on line
Full Load Amps	8/3			Breakdown Torque	23 LB-FT
R.P.M.	1725/850			Pull-up Torque	18 LB-FT
Hz	60	Phase	3	Locked-rotor Torque	19 LB-FT
NEMA Design Code	-	KVA Code	F	Starting Current	41 A
Service Factor (S.F.)	1.15			No-load Current	2.8 A
NEMA Nom. Eff.	0	Power Factor	0	Line-line Res. @ 25°C	2.11 Ω
Rating - Duty	40C AMB-CONT			Temp. Rise @ Rated Load	56°C
S.F. Amps				Temp. Rise @ S.F. Load	71°C
				Locked-rotor Power Factor	67.1
				Rotor inertia	0.216 LB-FT ²

Load Characteristics 230 V, 60 Hz, 3 HP

% of Rated Load	25	50	75	100	125	150	S.F.
Power Factor	51	73	81	85	87	87	86
Efficiency	79	83	82	79	75	71	76.6
Speed	1769	1740	1705	1670	1619	1568	1639
Line amperes	3.5	4.6	6.2	8	10	12.2	9.2

Performance Graph at 230V, 60Hz, 3.0HP Typical performance - Not guaranteed values



AC Induction Motor Performance Data

Record # 61309 - Typical performance - not guaranteed values

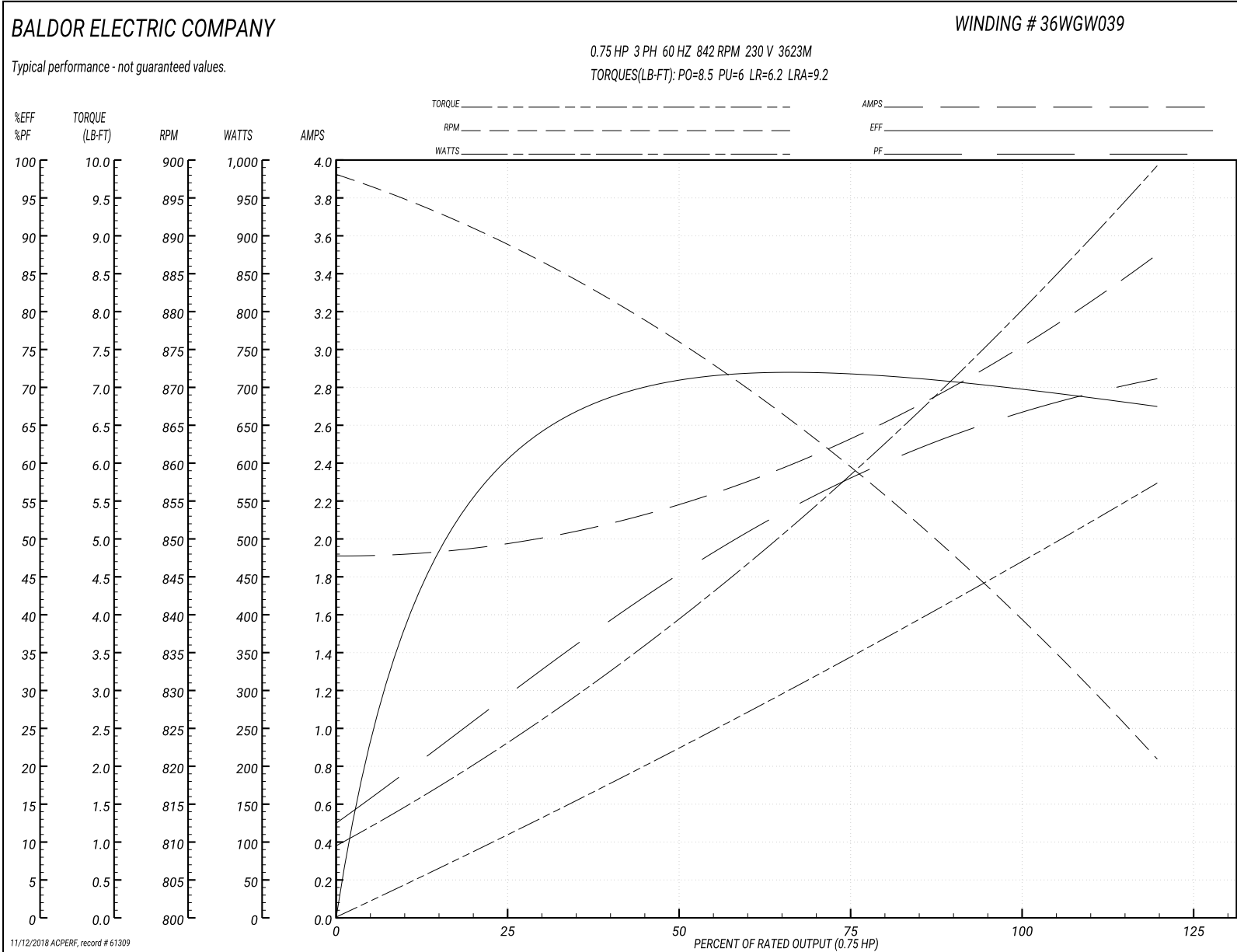
Winding: 36WGW039-R003	Type: 3623M	Enclosure: OPEN
-------------------------------	--------------------	------------------------

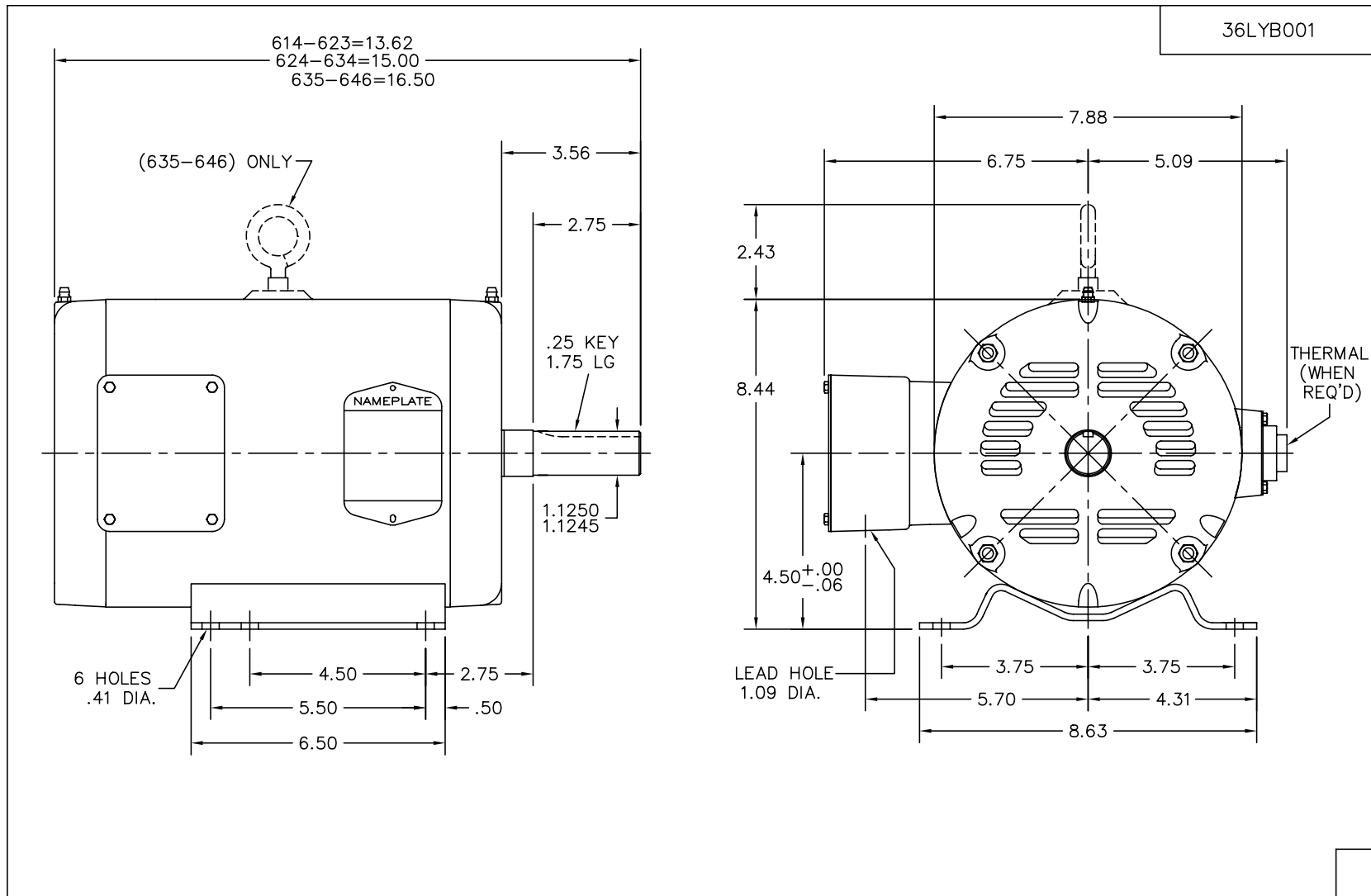
Nameplate Data				230 V, 60 Hz: Low Speed Connection	
Rated Output (HP)	3/.75			Full Load Torque	4.6 LB-FT
Volts	208-230			Start Configuration	direct on line
Full Load Amps	8/3			Breakdown Torque	8.5 LB-FT
R.P.M.	1725/850			Pull-up Torque	6 LB-FT
Hz	60	Phase	3	Locked-rotor Torque	6.2 LB-FT
NEMA Design Code	-	KVA Code	F	Starting Current	9.2 A
Service Factor (S.F.)	1.15			No-load Current	1.9 A
NEMA Nom. Eff.	0	Power Factor	0	Line-line Res. @ 25°C	8.46 Ω
Rating - Duty	40C AMB-CONT			Temp. Rise @ Rated Load	37°C
S.F. Amps				Temp. Rise @ S.F. Load	45°C
				Locked-rotor Power Factor	57.1
				Rotor inertia	0.216 LB-FT ²

Load Characteristics 230 V, 60 Hz, 0.75 HP

% of Rated Load	25	50	75	100	125	S.F.
Power Factor	30	47	59	65	72	69
Efficiency	60.1	70.1	72	71	67	68.6
Speed	887	875	860	842	820	829
Line amperes	2	2.2	2.5	3	3.5	3.3

Performance Graph at 230V, 60Hz, 0.75HP Typical performance - Not guaranteed values



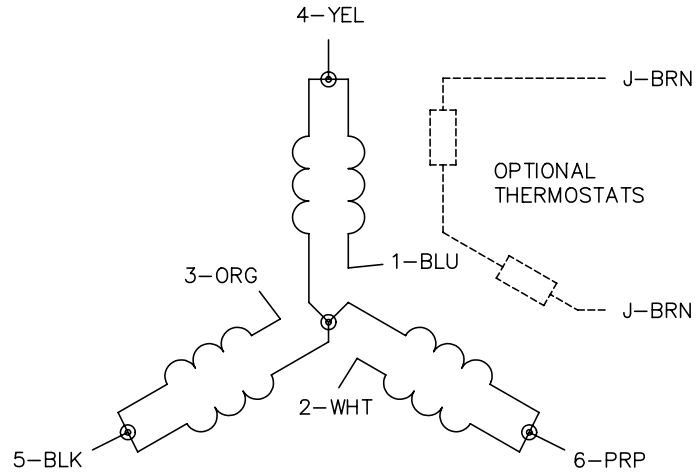


36LYB001

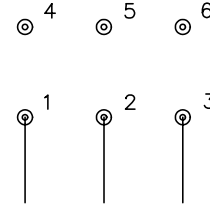
CUST. NAME		CUST. P.O.		CERTIFIED BY		MODEL		INSUL		AMB	
H.P.		MTG		TYPE		R.P.M.		VOLTS		ENCL	
PHASE		FREQ		FRAME		REV. DESC: CHG'D TO HAVE NEW NEC CONDUIT BOX					
REV. LTR: M		BY: JD		REVISED: 05/19/99 3:45		TDR: 0181963					
36LYB001		FILE: AAA00002559		MDL: -							
MTL: -		STANDARD HORZ NEMA 182-4T OPEN 36M									

36LYB001

CD0032

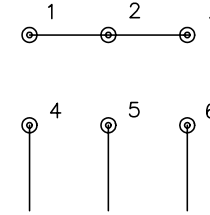


LOW SPEED
(1Y)



LINE

HIGH SPEED
(2Y)



LINE

NOTES:

1. INTERCHANGE ANY TWO LINE LEADS TO REVERSE ROTATION.
2. OPTIONAL THERMOSTATS ARE PROVIDED WHEN SPECIFIED.
3. ACTUAL NUMBER OF INTERNAL PARALLEL CIRCUITS MAY BE A MULTIPLE OF THOSE SHOWN ABOVE.
4. LEAD COLORS ARE OPTIONAL. LEADS MUST ALWAYS BE NUMBERED AS SHOWN.

REV. DESC: REVISE TO SHOW OPTIONAL COLORS			
REV. LTR: E	BY: JLP	REVISED: 01/22/99 8:27	TDR: 0171435
CD0032		FILE: AAA00005145	MDL: -
		MTL: -	

BALDOR ELECTRIC Co.

3PH, SV, 6 LEADS, 2-SPEED 1-WINDING VARIABLE TORQUE

CD0032