

PRODUCT INFORMATION PACKET



Model No: M184K17DK13A

Catalog No: 131630.00

5HP..1740RPM.184.DP./208-230V.1PH.60HZ.CONT.MANUAL.40C.1.15SF.RIGID C.GENERAL
PURPOSE.M184K17DK13A

Pressure Washers



Regal and Leeson are trademarks of Regal Beloit Corporation or one of its affiliated companies.

©2018 Regal Beloit Corporation, All Rights Reserved. MC017097E





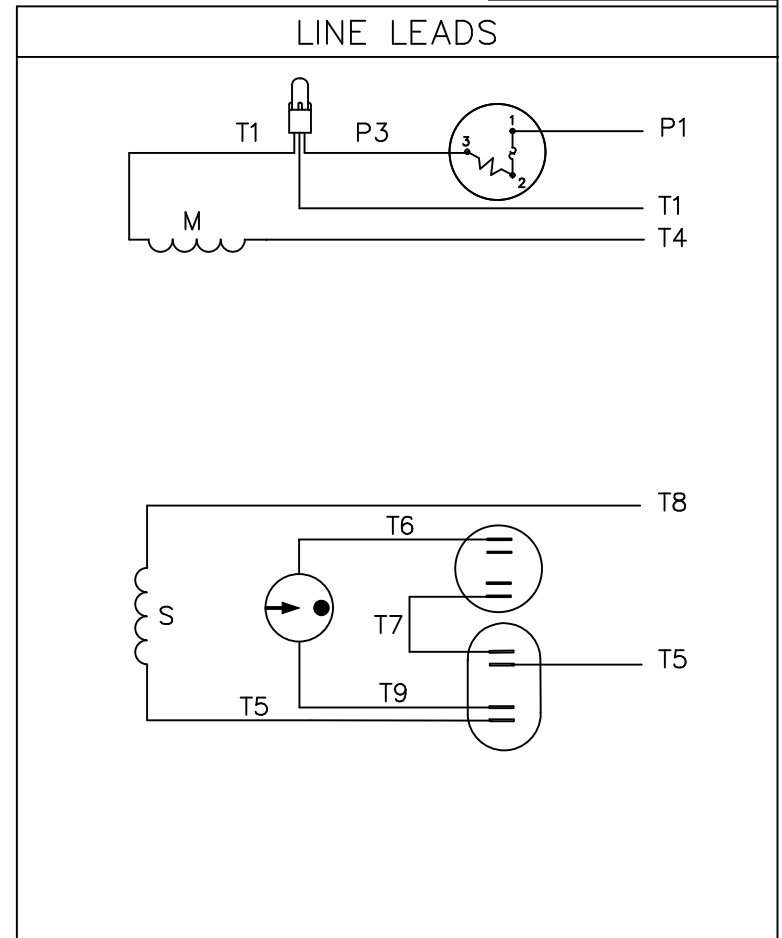
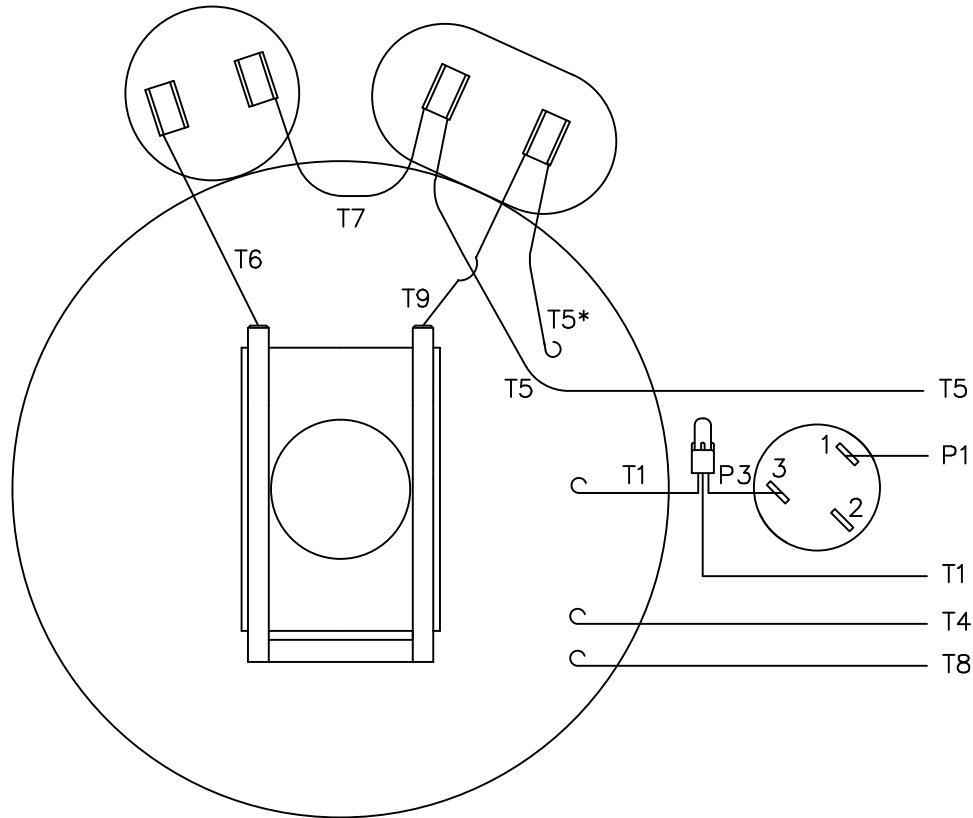
Nameplate Specifications

Output HP	5 Hp	Output KW	3.7 kW
Frequency	60 Hz	Voltage	208-230 V
Current	23.0-21.0 A	Speed	1740 rpm
Service Factor	1.15	Phase	1
Efficiency	83 %	Duty	Continuous
Insulation Class	F	Design Code	L
KVA Code	H	Frame	184TC
Enclosure	Drip Proof	Overload Protector	Manual
Ambient Temperature	40 °C	Drive End Bearing Size	6206
Opp Drive End Bearing Size	6205	UL	Recognized
CSA	Y	CE	N
IP Code	22		

Technical Specifications

Electrical Type	Capacitor Start Capacitor Run	Starting Method	Across The Line
Poles	4	Rotation	Selective Counterclockwise
Mounting	Rigid base	Motor Orientation	HORIZONTAL
Drive End Bearing	BALL	Opp Drive End Bearing	BALL
Frame Material	Rolled Steel	Shaft Type	T
Overall Length	14.70 in	Frame Length	10.50 in
Shaft Diameter	1.125 in	Shaft Extension	2.75 in
Assembly/Box Mounting	F1 ONLY		
Outline Drawing	035373-1050	Connection Diagram	005056.03

VIEW FROM OUTSIDE OF MOTOR AT SWITCH END.



ROTATION	L1	L2	JOIN
FACING			
LEAD END			
C.C.W.	P1	T4, T5	T1, T8
C.W.	P1	T4, T8	T1, T5

* THIS LEAD MAY BE WHITE

				TOLERANCES UNLESS SPECIFIED		LEESON ELECTRIC MOTORS GEARMOTORS AND DRIVES		DRAWN WLW 08/30/76		
				DEC.	INCHES			CHK WRK 09/24/76		
				.X	±.1			APPD		
08	ALTERNATE T5 LEAD MARKING WAS RED	RLW	8/6/02	.XX	±.01	TITLE		SCALE 1=1		
07	ADDED ALTERNATE T5 LEAD MARKING	RLW	5/31/02	KH	±.005	EXTERNAL WIRING DIAGRAM TYPE "K" W/ PROTECTOR		REF		
06	REDRAWN TO CAD	DBT	5/31/02	.XXXX	±.0005	MAT'L.		FMF 6K17FB4		
NO.	REVISION	BY & DATE		CHK	ANG	FINISH		PREV		
THIS DRAWING IN DESIGN AND DETAIL IS OUR PROPERTY AND MUST NOT BE USED EXCEPT IN CONNECTION WITH OUR WORK ALL RIGHTS OF DESIGN AND INVENTION ARE RESERVED THIS IS AN ELECTRONICALLY GENERATED DOCUMENT - DO NOT SCALE THIS PRINT				RFP	CAD FILE			SIZE	DRAWING NO.	REV.
				DIST	BRF-NLV	00505603	A	005056-03	08	



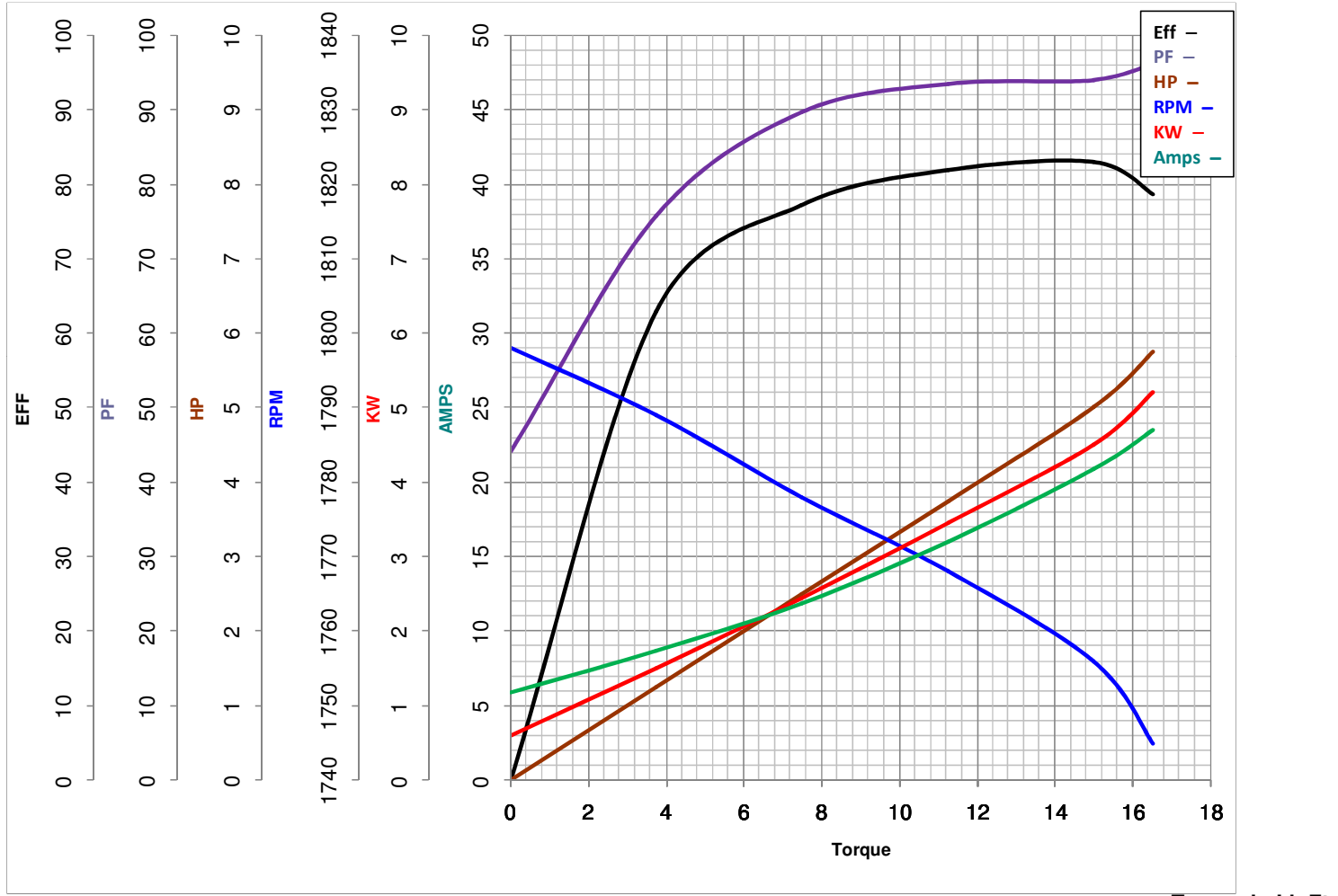
LEESON ELECTRIC CORPORATION
 TYPICAL PERFORMANCE CURVE for AC MOTOR

Model No 131630.00

Catalog No 131630.00

Curve at 230 Volts HP 5.00 PHASE 1
60 HZ
5 HP VOLTS 208-230

HZ 60 RPM 1740



FL TORQUE	<u>15</u>	Lb.Ft	FL AMPS	<u>23-21</u>	
BD TORQUE	<u>32.5</u>	Lb.Ft	PU TORQUE	<u>28.9</u>	Lb.Ft
LR TORQUE	<u>41.1</u>	Lb.Ft	LR AMPS	<u>138</u>	
WINDING	K8450-2		Date	<u>3/27/2018</u>	