

BALDOR • RELIANCE

Customer information packet

M3112-57

.75HP, 1425 IP23RPM, 3PH, 50HZ, 56, 3420M, O

Class - None

Division - Not Applicable

Specifications

Enclosure	OPEN
Frame	56
Frame Material	Steel
Frequency	50.00 Hz
Haz Area Class and Group	None
Haz Area Division	Not Applicable
Motor Letter Type	Three Phase
Output @ Frequency	.750 HP @ 50 HZ
Phase	3
Synchronous Speed @ Frequency	1500 RPM @ 50 HZ
Voltage @ Frequency	400.0 V @ 50 HZ 230.0 V @ 50 HZ
Agency Approvals	CE CSA UR WEEE
Ambient Temperature	40 °C
Auxillary Box	No Auxillary Box
Auxillary Box Lead Termination	None
Base Indicator	Rigid
Bearing Grease Type	Polyrex EM (-20F +300F)
Blower	None
Current @ Voltage	1.900 A @ 400.0 V 3.200 A @ 230.0 V
Design Code	B
Drip Cover	No Drip Cover
Duty Rating	CONT
Efficiency @ 100% Load	70.0 %
Electrically Isolated Bearing	Not Electrically Isolated
Feedback Device	NO FEEDBACK
Front Face Code	Standard
Front Shaft Indicator	None

Part detail

Revision	J
Type	AC
Mech. spec.	34F779
Base	
Status	PRD/A
Elec. spec.	34WG2382
Layout	34LYF779
Eff. date	10-25-2024
CD Diagram	CD0022
Poles	04
Leads	6#18
Proprietary	False
Created date	09-08-2011

Heater Indicator	No Heater
High Voltage Full Load Amps	1.9 a
Insulation Class	F
Inverter Code	Not Inverter
KVA Code	K
Lifting Lugs	No Lifting Lugs
Locked Bearing Indicator	No Locked Bearing
Motor Lead Exit	Ko Box
Motor Lead Quantity/Wire Size	6 @ 18 AWG
Motor Lead Termination	Flying Leads
Motor Standards	NEMA
Motor Type	3420M
Mounting Arrangement	F1
Number of Poles	4
Overall Length	10.14 IN
Power Factor	58
Product Family	General Purpose
Pulley End Bearing Type	Ball
Pulley Face Code	Standard
Pulley Shaft Indicator	Standard
Rodent Screen	None
RoHS Status	ROHS COMPLIANT
Service Factor	1.25
Shaft Diameter	0.625 IN
Shaft Extension Location	Pulley End
Shaft Ground Indicator	No Shaft Grounding
Shaft Rotation	Reversible
Shaft Slinger Indicator	No Slinger
Speed	1425 rpm
Speed Code	Single Speed
Starting Method	Direct on line
Thermal Device - Bearing	None
Thermal Device - Winding	None
Vibration Sensor Indicator	No Vibration Sensor

Winding Thermal 1

None

Winding Thermal 2

None

Nameplate

NP1372L									
CAT.NO.	M3112-57								
SPEC.	34F779-2382G1								
HP	.75/KW .56								
VOLTS	230/400								
AMP	3.2/1.9 SFA 3.6/2.1								
R.P.M. (1/MIN)	1425								
FRAME	56	HZ	50	PH	3				
SER.F.	1.25	CODE	K	DES	B	CL	F		
NEMA-NOM-EFF	70	PF	58						
RATING	40C AMB-S1 CONT								
CC	IP23 12KG IC01								
DE	6203	ODE	6203						
ENCL	OPEN	SN							
IE2-70.0(75%)64.9(50%)									

AC Induction Motor Performance Data

Record # 35180

Typical performance - not guaranteed values

Winding: 34WG2382-R002		Type: 3420M	Enclosure: TEFC	
Nameplate Data			400 V, 50 Hz: High Voltage Connection	
Rated Output (HP)	.75		Full Load Torque	2.71 LB-FT
Volts	230/400		Start Configuration	direct on line
Full Load Amps	3.2/1.9		Breakdown Torque	11.9 LB-FT
R.P.M.	1425		Pull-up Torque	11.6 LB-FT
Hz	50 Phase	3	Locked-rotor Torque	15.7 LB-FT
NEMA Design Code	B KVA Code	K	Starting Current	12.3 A
Service Factor (S.F.)	1.25		No-load Current	1.63 A
NEMA Nom. Eff.	70 Power Factor	58	Line-line Res. @ 25°C	17.1 Ω
Rating - Duty	40C AMB-CONT		Temp. Rise @ Rated Load	78°C
S.F. Amps	3.6/2.1		Temp. Rise @ S.F. Load	98°C

Load Characteristics 400 V, 50 Hz, 0.75 HP

% of Rated Load	25	50	75	100	125	150	S.F.
Power Factor	25	37	48	58	64	70	64
Efficiency	50.7	64.9	70	71.8	71.4	69.9	71.4
Speed	1483	1466	1449	1431	1409	1386	1409
Line amperes	1.63	1.69	1.8	1.9	2.14	2.38	2.14

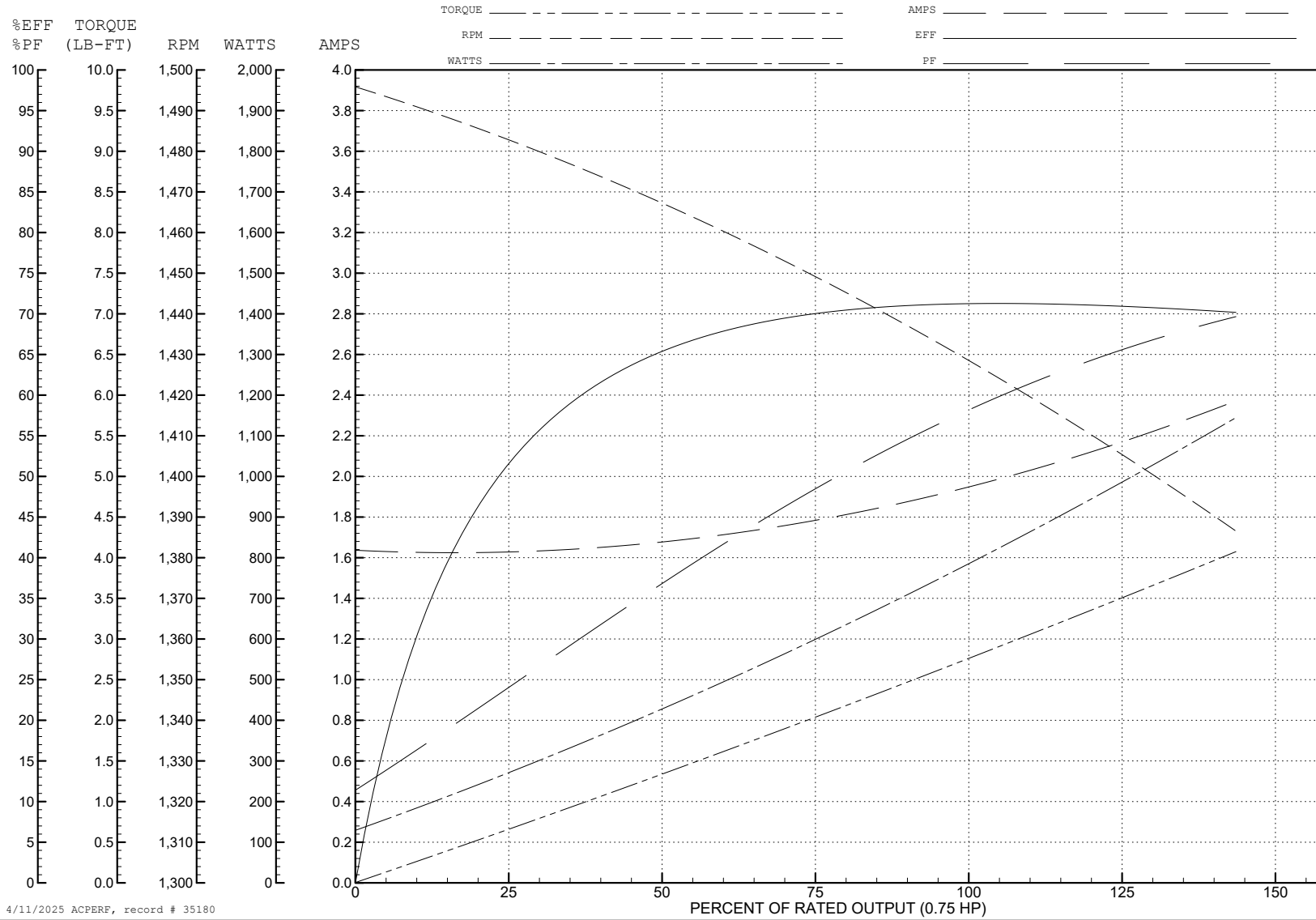
ABB Motors and Mechanical Inc.

WINDING # 34WG2382

0.75 HP 3 PH 50 HZ 1425 RPM 400 V 3420M

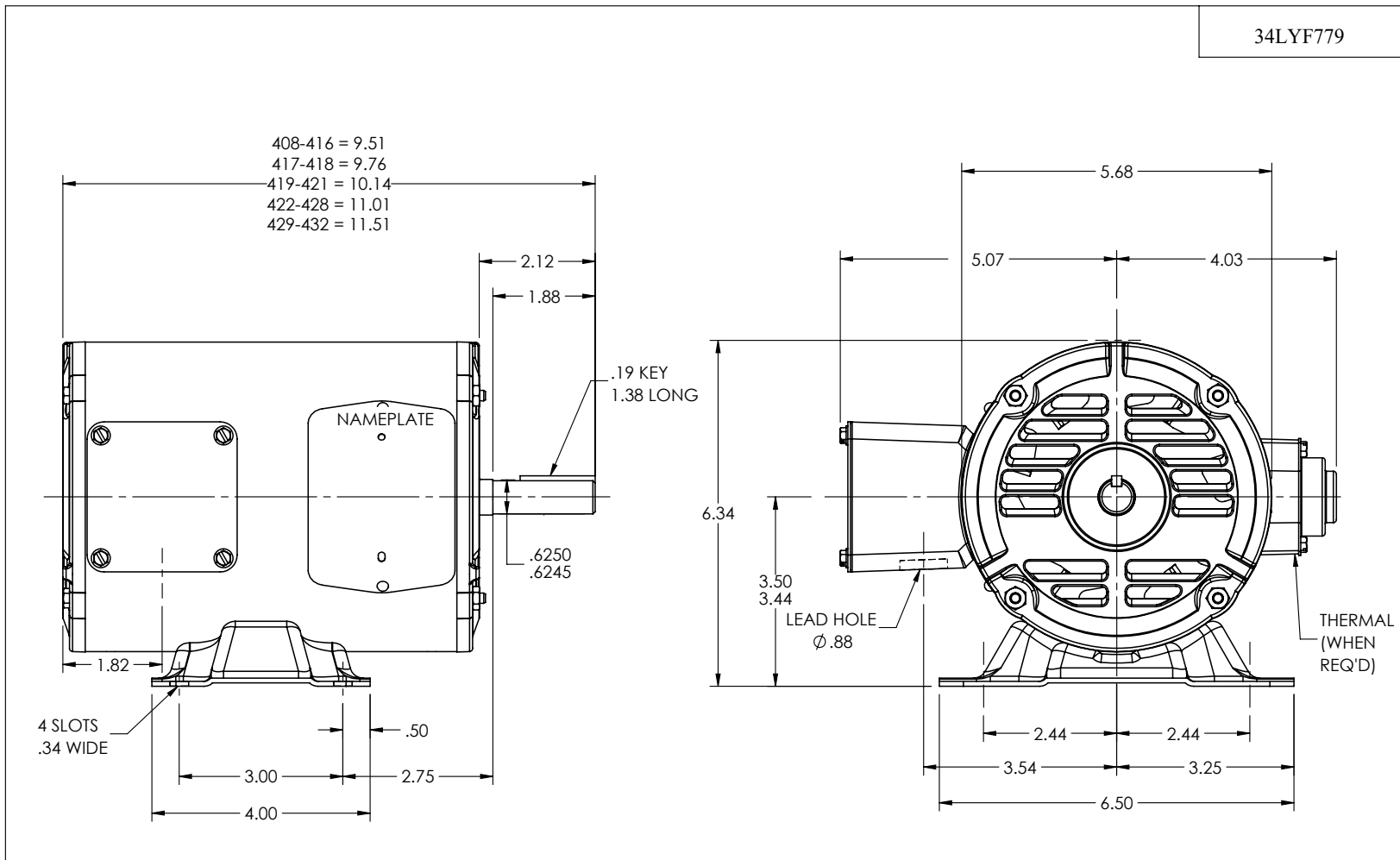
Typical performance - not guaranteed values.

TORQUES (LB-FT): PO=11.9 PU=11.6 LR=15.7 LRA=12.3



4/11/2025 ACPERF, record # 35180

34LYF779



CUSTOMER IS RESPONSIBLE FOR DETERMINING THAT THE PRODUCT WILL PERFORM SUITABLY IN THE INTENDED APPLICATION

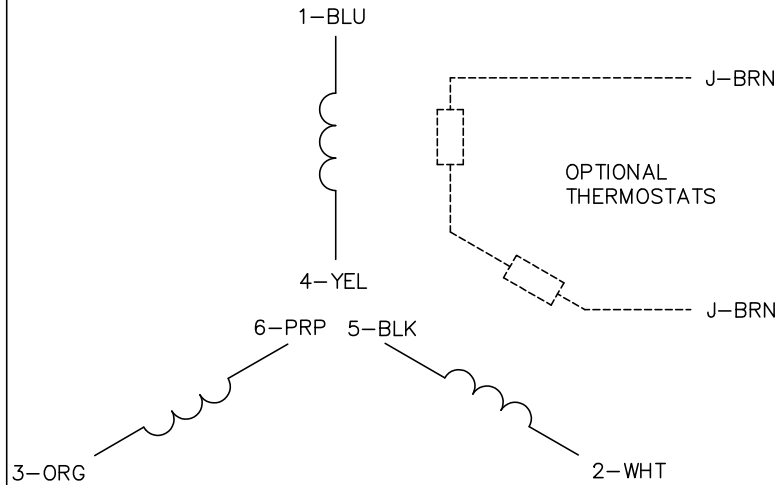
REV. DESC: LOAD TO SOLIDWORKS			
REV: E	VERSION: 05	REVISED: 04:43:07 09/21/2022	TDR: 000001194274
34LYF779	MODEL NO. 34LYF779	REF: -	
	BY: ENFRAJ0		

BALDOR - RELIANCE®

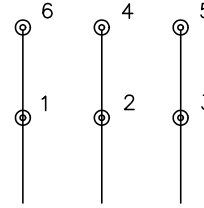
HORZ 34M NEMA 56 OPEN

34LYF779

CD0022

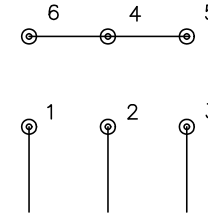


LOW VOLTAGE
(1D)



LINE

HIGH VOLTAGE
(1Y)



LINE

NOTES:

1. INTERCHANGE ANY TWO LINE LEADS TO REVERSE ROTATION.
2. OPTIONAL THERMOSTATS ARE PROVIDED WHEN SPECIFIED.
3. ACTUAL NUMBER OF INTERNAL PARALLEL CIRCUITS MAY BE A MULTIPLE OF THOSE SHOWN ABOVE.
4. LEAD COLORS ARE OPTIONAL. LEADS MUST ALWAYS BE NUMBERED AS SHOWN.

REV. DESC: REVISE TO SHOW OPTIONAL COLORS			
REV. LTR: F	BY: JLP	REVISED: 01/21/99 3:54	TDR: 0171435
CD0022		FILE: AAA00005144	MDL: -
		MTL: -	

BALDOR ELECTRIC Co.

3PH, DV, 6 LEADS, DELTA/WYE CONNECTION

CD0022