



Customer information packet

M3457

.33HP, 3450RPM, 3PH, 60HZ, 48, 3410M, TENV, F1

Class - None

Division - Not Applicable

Specifications

Enclosure	TENV
Frame	48
Frame Material	Steel
Frequency	60.00 Hz
Haz Area Class and Group	None
Haz Area Division	Not Applicable
Motor Letter Type	Three Phase
Output @ Frequency	.330 HP @ 60 HZ
Phase	3
Synchronous Speed @ Frequency	3600 RPM @ 60 HZ
Voltage @ Frequency	230.0 V @ 60 HZ 460.0 V @ 60 HZ
Agency Approvals	CSA UR
Ambient Temperature	40 °C
Auxillary Box	No Auxillary Box
Auxillary Box Lead Termination	None
Base Indicator	Rigid
Bearing Grease Type	Polyrex EM (-20F +300F)
Blower	None
Current @ Voltage	1.600 A @ 208.0 V 1.400 A @ 230.0 V .700 A @ 460.0 V
Design Code	B
Drip Cover	No Drip Cover
Duty Rating	CONT
Efficiency @ 100% Load	72.0 %
Electrically Isolated Bearing	Not Electrically Isolated
Feedback Device	NO FEEDBACK
Front Face Code	Standard
Front Shaft Indicator	None
Heater Indicator	No Heater

Part detail

Revision	Q
Type	AC
Mech. spec.	34A075
Base	
Status	PRD/A
Elec. spec.	34WGY170
Layout	34LYA075
Eff. date	12-30-2024
CD Diagram	CD0005
Poles	02
Leads	9#18
Proprietary	False
Created date	01-01-0001

High Voltage Full Load Amps	0.7 a
Insulation Class	B
Inverter Code	Not Inverter
KVA Code	P
Lifting Lugs	No Lifting Lugs
Locked Bearing Indicator	No Locked Bearing
Motor Lead Exit	Ko Box
Motor Lead Quantity/Wire Size	9 @ 18 AWG
Motor Lead Termination	Flying Leads
Motor Standards	NEMA
Motor Type	3410M
Mounting Arrangement	F1
Number of Poles	2
Overall Length	9.62 IN
Power Factor	64
Product Family	General Purpose
Pulley End Bearing Type	Ball
Pulley Face Code	Standard
Pulley Shaft Indicator	Standard
Rodent Screen	None
Service Factor	1.35
Shaft Diameter	0.500 IN
Shaft Extension Location	Pulley End
Shaft Ground Indicator	No Shaft Grounding
Shaft Rotation	Reversible
Shaft Slinger Indicator	No Slinger
Speed	3450 rpm
Speed Code	Single Speed
Starting Method	Direct on line
Thermal Device - Bearing	None
Thermal Device - Winding	None
Vibration Sensor Indicator	No Vibration Sensor
Winding Thermal 1	None
Winding Thermal 2	None

Nameplate

NP1256L										
CAT.NO.	M3457									
SPEC.	34A075Y170									
HP	.33									
VOLTS	230/460									
AMP	1.4/.7									
RPM	3450									
FRAME	48		HZ	60		PH	3			
SER.F.	1.35	CODE	P	DES	B	CLASS	B			
NEMA-NOM-EFF	72	PF	64							
RATING	40C AMB-CONT									
CC										
DE	6203	ODE	6203							
ENCL	TENV	SN								
	SFA 1.5/.75									

Accessories

Part number	Description	Multiplier
34-3900T	C-FACE KIT	A8

AC Induction Motor Performance Data

Record # 28270

Preliminary Data Sheet

Winding: 34WGY170-R001		Type: 3410M		Enclosure: TENV	
Nameplate Data			460 V, 60 Hz: High Voltage Connection		
Rated Output (HP)	.33		Full Load Torque	0.5 LB-FT	
Volts	230/460		Start Configuration	direct on line	
Full Load Amps	1.4/.7		Breakdown Torque	3.4 LB-FT	
R.P.M.	3450		Pull-up Torque	2.4 LB-FT	
Hz	60 Phase	3	Locked-rotor Torque	2.6 LB-FT	
NEMA Design Code	B KVA Code	P	Starting Current	5.8 A	
Service Factor (S.F.)	1.35		No-load Current	0.56 A	
NEMA Nom. Eff.	72 Power Factor	64	Line-line Res. @ 25°C	31.7 Ω	
Rating - Duty	40C AMB-CONT		Temp. Rise @ Rated Load	57°C	
S.F. Amps	1.5/.75		Temp. Rise @ S.F. Load	66°C	

Load Characteristics 460 V, 60 Hz, 0.33 HP

% of Rated Load	25	50	75	100	125	150	S.F.
Power Factor	32	42	55	63	73	77	75
Efficiency	43.7	62	68.3	72.8	74.4	75.8	75
Speed	3569	3544	3526	3497	3477	3444	3464
Line amperes	0.57	0.6	0.63	0.68	0.71	0.79	0.742

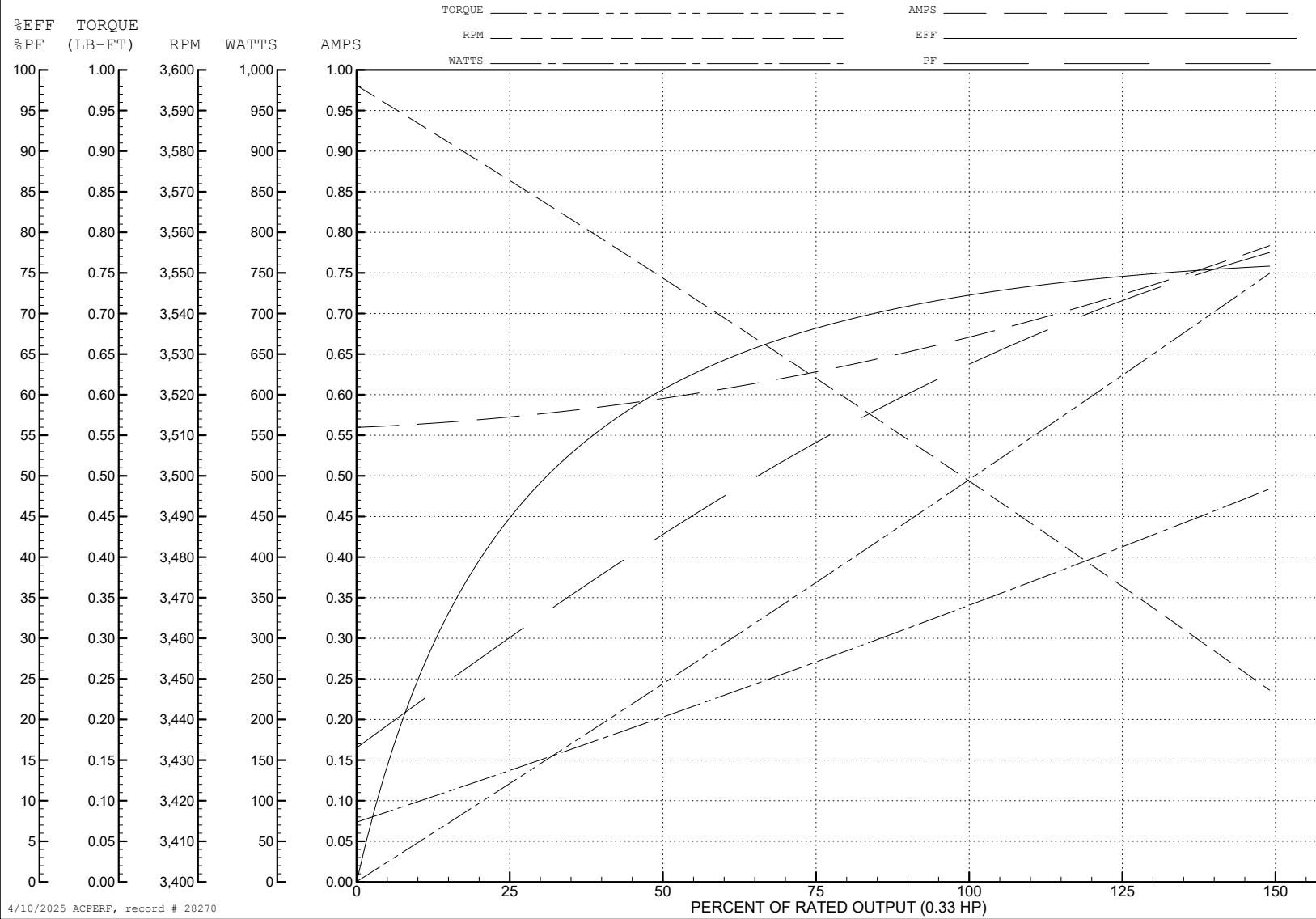
ABB Motors and Mechanical Inc.

WINDING # 34WGY170

Typical performance - not guaranteed values.

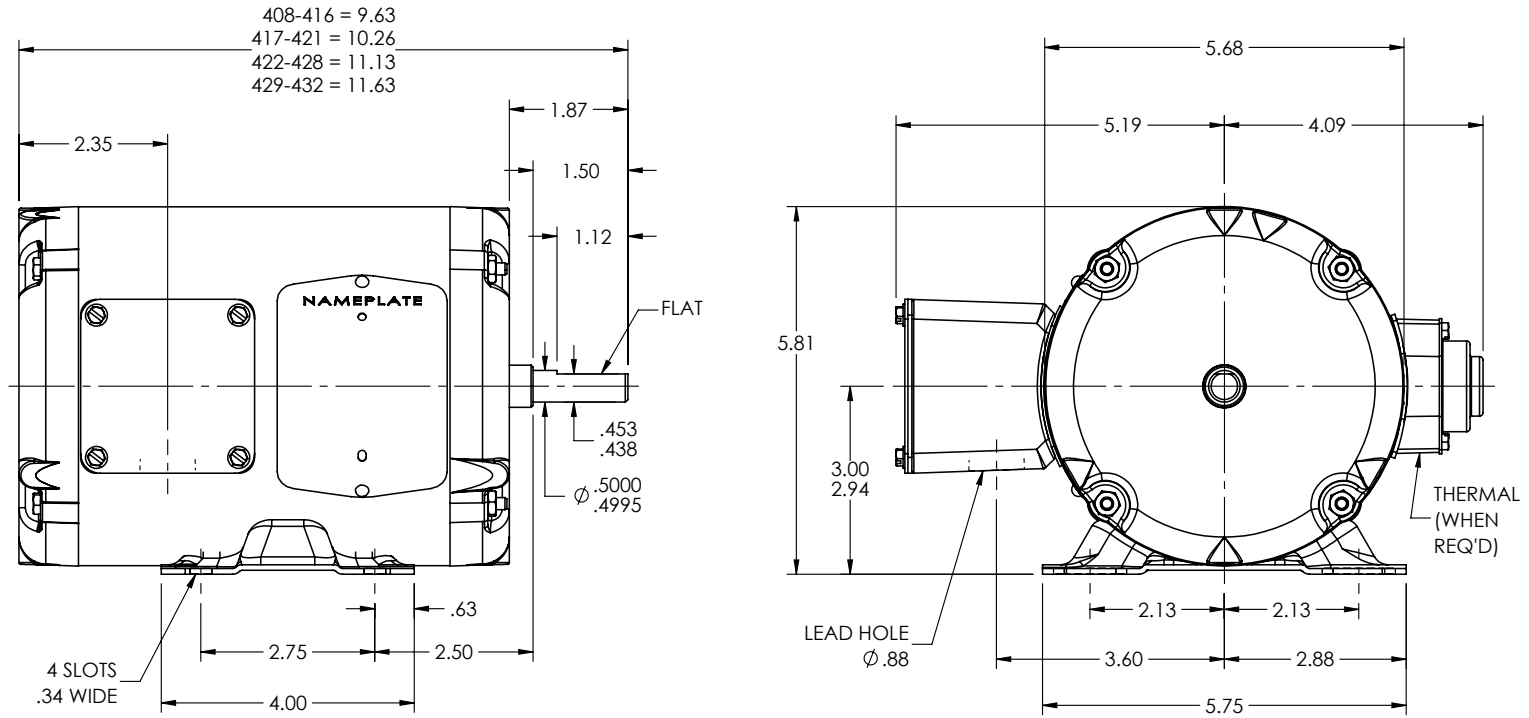
0.33 HP 3 PH 60 HZ 3450 RPM 460 V 3410M

TORQUES (LB-FT) : PO=3.4 PU=2.4 LR=2.6 LRA=5.8



4/10/2025 ACPERF, record # 28270

34LYA075



CUSTOMER IS RESPONSIBLE FOR DETERMINING THAT THE PRODUCT WILL PERFORM SUITABLY IN THE INTENDED APPLICATION

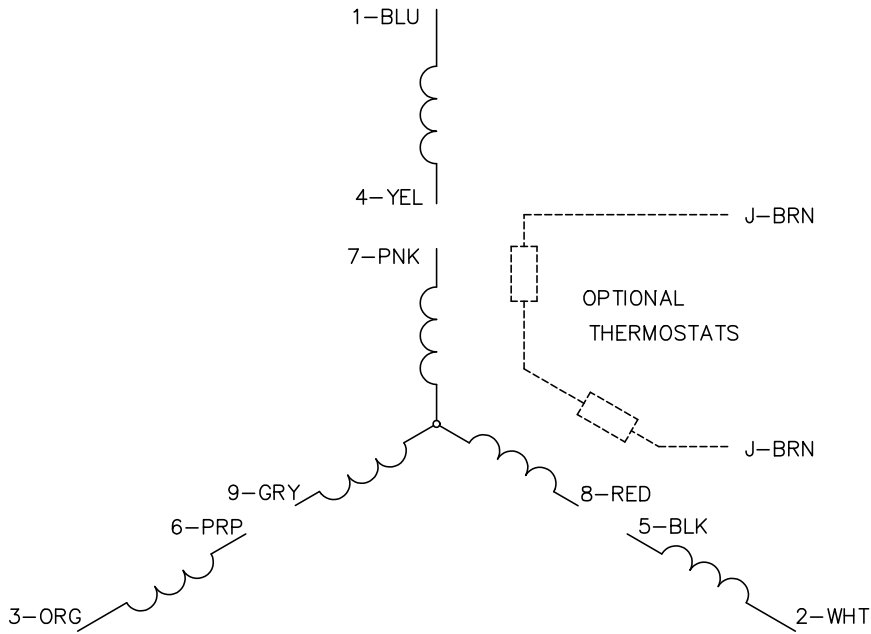
REV. DESC: UPDATE DIMENSION GRAPHICS			
REV: F	VERSION: 04	REVISED: 03:24:03 11/26/2024	TDR: 000001245356
34LYA075		MODEL NO. 34LYA075	REF: -
		BY: ENJEFD0	

BALDOR - RELIANCE®

STD HORZ MODEL 34M NEMA 48 TENV

34LYA075

CD0005

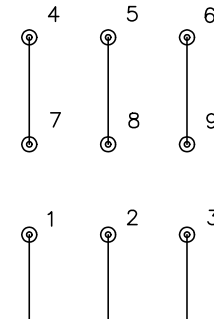


LOW VOLTAGE
(2Y)



LINE

HIGH VOLTAGE
(1Y)



LINE

NOTES:

1. INTERCHANGE ANY TWO LINE LEADS TO REVERSE ROTATION.
2. OPTIONAL THERMOSTATS ARE PROVIDED WHEN SPECIFIED.
3. ACTUAL NUMBER OF INTERNAL PARALLEL CIRCUITS MAY BE A MULTIPLE OF THOSE SHOWN ABOVE.
4. LEAD COLORS ARE OPTIONAL. LEADS MUST ALWAYS BE NUMBERED AS SHOWN.

CD0005

REV. DESC: REVISE TO SHOW OPTIONAL COLORS			
REV. LTR: E	BY: JLP	REVISED: 01/19/99 10:15	TDR: 0171435
S00000		FILE: AAA00005140	MDL: -
		MTL: -	

BALDOR ELECTRIC Co.

3PH, DV, 9 LEADS