

**BALDOR® • RELIANCE** 

**Product Information Packet**

**M3538-57**

**.5HP, 1425RPM, 3PH, 50HZ, 56, 3420M, TEFC, F1, N**

Part Detail							
Revision:	J	Status:	PRD/A	Change #:		Proprietary:	No
Type:	AC	Elec. Spec:	34WGX268	CD Diagram:	CD0022	Mfg Plant:	
Mech. Spec:	34A061	Layout:	34LYA061	Poles:	04	Created Date:	09-07-2011
Base:	RG	Eff. Date:	02-15-2018	Leads:	6#18		

Specs			
Catalog Number:	M3538-57	Insulation Class:	B
Enclosure:	TEFC	Inverter Code:	Not Inverter
Frame:	56	KVA Code:	K
Frame Material:	Steel	Lifting Lugs:	No Lifting Lugs
Output @ Frequency:	.500 HP @ 50 HZ	Locked Bearing Indicator:	No Locked Bearing
Synchronous Speed @ Frequency:	1500 RPM @ 50 HZ	Motor Lead Quantity/Wire Size:	6 @ 18 AWG
Voltage @ Frequency:	400.0 V @ 50 HZ	Motor Lead Exit:	Ko Box
	230.0 V @ 50 HZ	Motor Lead Termination:	Flying Leads
XP Class and Group:	None	Motor Type:	3420M
XP Division:	Not Applicable	Mounting Arrangement:	F1
Agency Approvals:	UR	Power Factor:	67
	WEEE	Product Family:	General Purpose
	CSA	Pulley End Bearing Type:	Ball
	CE	Pulley Face Code:	Standard
Auxillary Box:	No Auxillary Box	Pulley Shaft Indicator:	Standard
Auxillary Box Lead Termination:	None	Rodent Screen:	None
Base Indicator:	Rigid	RoHS Status:	ROHS COMPLIANT
Bearing Grease Type:	Polyrex EM (-20F +300F)	Shaft Extension Location:	Pulley End

<b>Blower:</b>	None	<b>Shaft Ground Indicator:</b>	No Shaft Grounding
<b>Current @ Voltage:</b>	1.000 A @ 400.0 V	<b>Shaft Rotation:</b>	Reversible
	1.700 A @ 230.0 V	<b>Shaft Slinger Indicator:</b>	No Slinger
<b>Design Code:</b>	B	<b>Speed Code:</b>	Single Speed
<b>Drip Cover:</b>	No Drip Cover	<b>Motor Standards:</b>	NEMA
<b>Duty Rating:</b>	CONT	<b>Starting Method:</b>	Direct on line
<b>Electrically Isolated Bearing:</b>	Not Electrically Isolated	<b>Thermal Device - Bearing:</b>	NONE (OLD)
<b>Feedback Device:</b>	NO FEEDBACK	<b>Thermal Device - Winding:</b>	None
<b>Front Face Code:</b>	Standard	<b>Vibration Sensor Indicator:</b>	No Vibration Sensor
<b>Front Shaft Indicator:</b>	None	<b>Winding Thermal 1:</b>	None
<b>Heater Indicator:</b>	No Heater	<b>Winding Thermal 2:</b>	None

Nameplate NP1372L												
CAT.NO.	M3538-57											
SPEC.	34A061X268G1											
HP	.5											
VOLTS	230/400											
AMP	1.7/1											
RPM	1425 IP54											
FRAME	56					HZ	50			PH	3	
SER.F.	1.25					CODE	K		DES	B	CL	B
NEMA-NOM-EFF	73					PF	67					
RATING	40C AMB-CONT											
CC										USABLE AT 208V		
DE	6203					ODE	6203					
ENCL	TEFC					SN						
	SFA 2/1.2											

Parts List		
Part Number	Description	Quantity
SA230351	SA 34A061X268G1	1.000 EA
RA217381	RA 34A061X268G1	1.000 EA
NS2512A01	INSULATOR, CONDUIT BOX X	1.000 EA
34CB3002A	CB CAST W/.88 DIA HOLE	1.000 EA
34GS1029A01	GASKET, CONDUIT BOX	1.000 EA
51XB1016A07	10-16 X 7/16 HXWSSLD SERTYB	2.000 EA
11XW1032G06	10-32 X .38, TAPTITE II, HEX WSHR SLTD U	1.000 EA
34EP3102A01SP	FR ENDPLATE, MACH	1.000 EA
HW5100A03	WAVY WASHER (W1543-017)	1.000 EA
34EP3102A02SP	FR/PU ENDPLATE, MACH	1.000 EA
XY1032A02	10-32 HEX NUT DIRECTIONAL SERRATION	4.000 EA
34FN3002A01SP	EXTERNAL FAN, PLASTIC, .637/.639 HUB W/	1.000 EA
34FH4002A01SP	IEC FH NO GREASER PRIMED	1.000 EA
51XW1032A06	10-32 X .38, TAPTITE II, HEX WSHR SLTD S	3.000 EA
34CB4517	CB LID 4 MTG HOLES .22 DIA STAMPED, FOR	1.000 EA
34GS1031A01	GASKET, FLAT CONDUIT BOX LID (LEXIDE)	1.000 EA
51XW0832A07	8-32 X .44, TAPTITE II, HEX WSHR SLTD SE	4.000 EA
HW2501D13	KEY, 3/16 SQ X 1.375	1.000 EA
HA7000A04	KEY RETAINER 0.625 DIA SHAFTS	1.000 EA
MG1000G27	MED CHARCOAL METALLIC GREY 400-0096	0.014 GA
85XU0407S04	4X1/4 U DRIVE PIN STAINLESS	2.000 EA
HA4067A01	PUSH IN DRAIN FITTING (BLACK)	1.000 EA
HA4067A01	PUSH IN DRAIN FITTING (BLACK)	1.000 EA
HA3100A12	THRUBOLT 10-32 X 7.375	4.000 EA

<b>Parts List (continued)</b>		
<b>Part Number</b>	<b>Description</b>	<b>Quantity</b>
LB1119N	WARNING LABEL	1.000 EA
LC0034	CONNECTION LABEL	1.000 EA
MN416A01	TAG-INSTAL-MAINT no wire (1200/bx) 5/18	1.000 EA
NP1372L	ALUM UL CSA CE CC	1.000 EA
35PA1000	PKG GRP, PRINT PK1008A06	1.000 EA

**AC Induction Motor Performance Data**

Record # 35147 - Typical performance - not guaranteed values

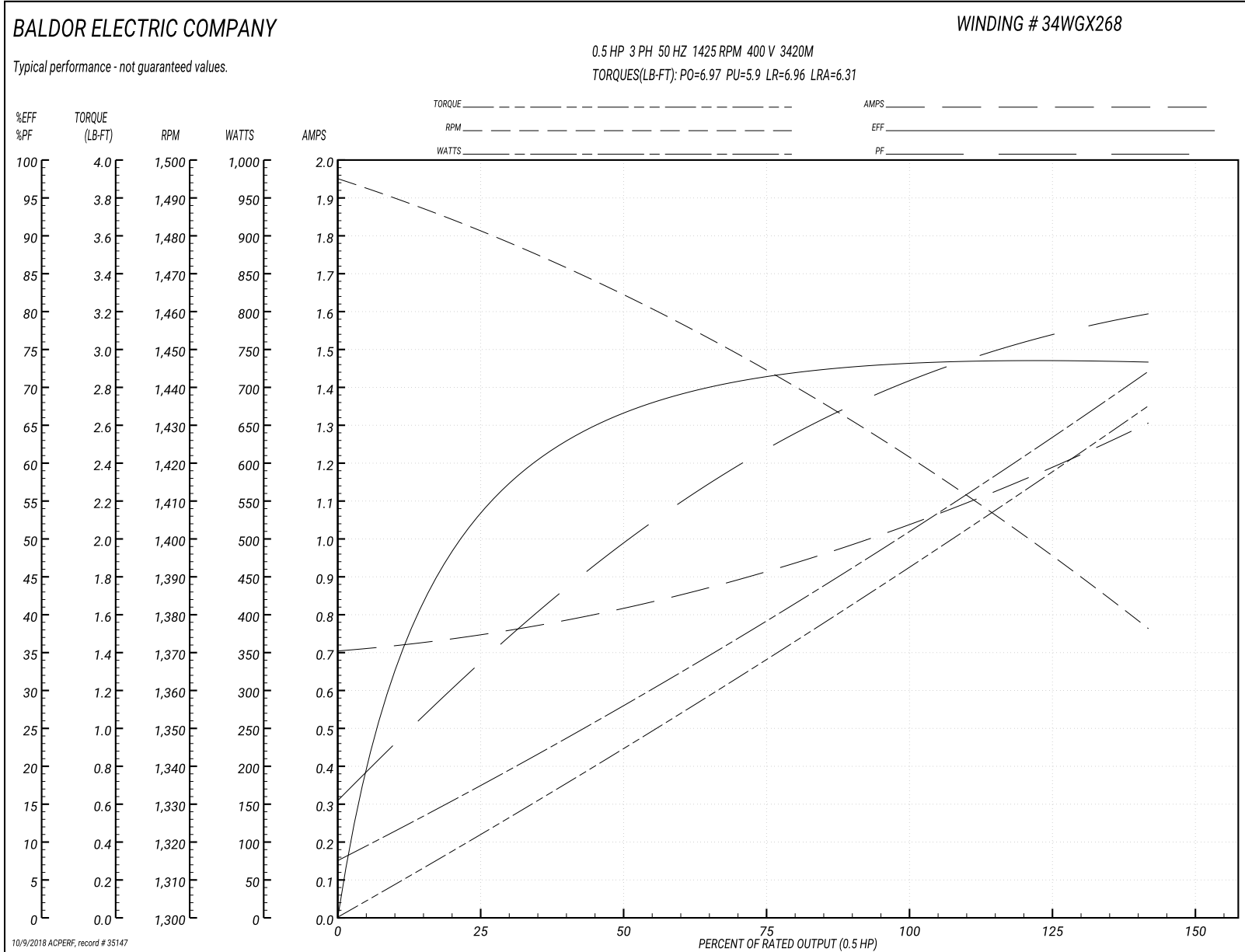
<b>Winding:</b> 34WGX268-R008	<b>Type:</b> 3420M	<b>Enclosure:</b> TEFC
-------------------------------	--------------------	------------------------

Nameplate Data				400 V, 50 Hz: High Voltage Connection	
Rated Output (HP)	.5			Full Load Torque	1.8 LB-FT
Volts	230/400			Start Configuration	direct on line
Full Load Amps	1.7/1			Breakdown Torque	6.97 LB-FT
R.P.M.	1425			Pull-up Torque	5.9 LB-FT
Hz	50	Phase	3	Locked-rotor Torque	6.96 LB-FT
NEMA Design Code	B	KVA Code	K	Starting Current	6.31 A
Service Factor (S.F.)	1.25			No-load Current	0.704 A
NEMA Nom. Eff.	73	Power Factor	67	Line-line Res. @ 25°C	27.1 Ω
Rating - Duty	40C AMB-CONT			Temp. Rise @ Rated Load	44°C
S.F. Amps	2/1.2			Temp. Rise @ S.F. Load	55°C
				Locked-rotor Power Factor	64
				Rotor inertia	0.0476 LB-FT <sup>2</sup>

Load Characteristics 400 V, 50 Hz, 0.5 HP

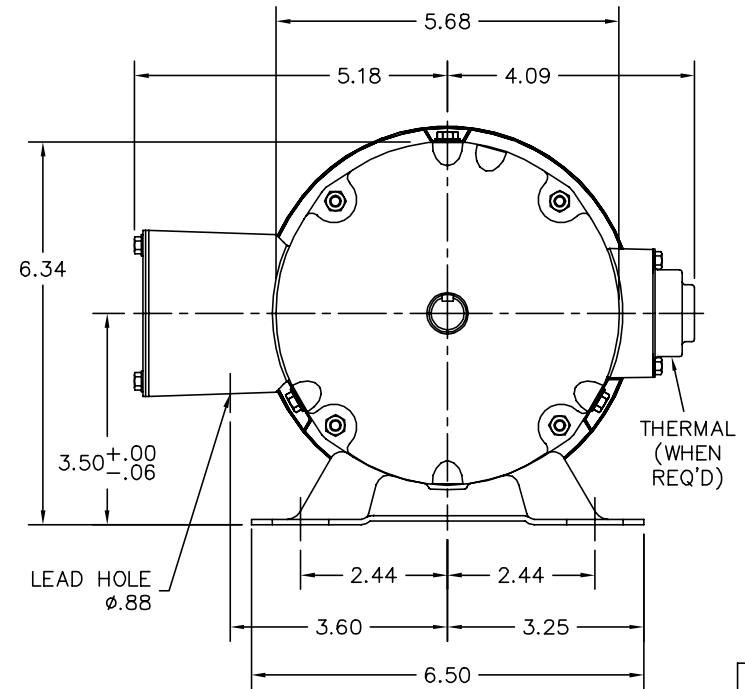
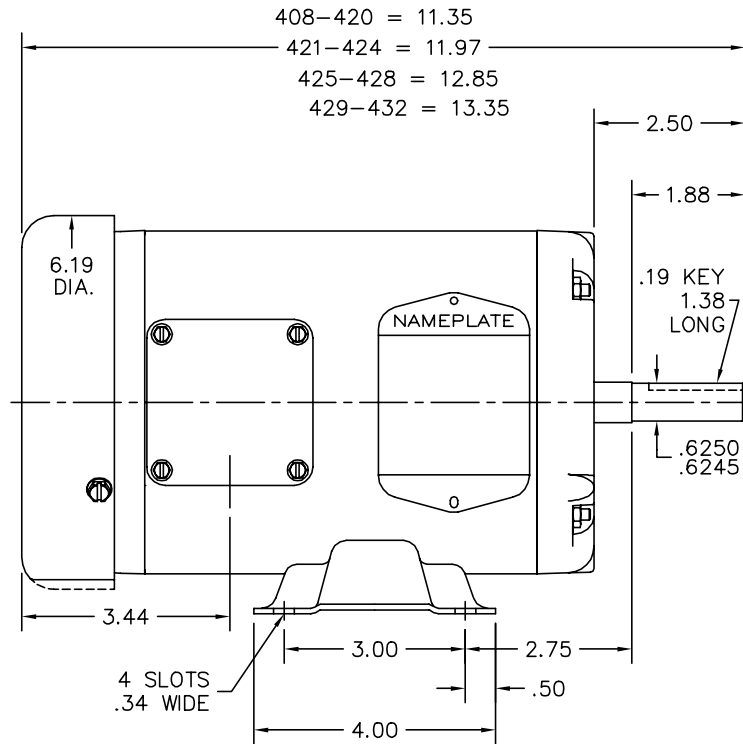
% of Rated Load	25	50	75	100	125	150	S.F.
Power Factor	35	50	62	69	77	80	77
Efficiency	52.4	66.3	71.8	73.3	73.9	73.1	73.9
Speed	1479	1465	1448	1418	1406	1374	1406
Line amperes	0.749	0.819	0.901	1.04	1.15	1.31	1.15

Performance Graph at 400V, 50Hz, 0.5HP Typical performance - Not guaranteed values





34LYA061



CUSTOMER IS RESPONSIBLE FOR DETERMINING THAT BALDOR'S PRODUCT WILL PERFORM SUITABLY IN THE INTENDED APPLICATION.

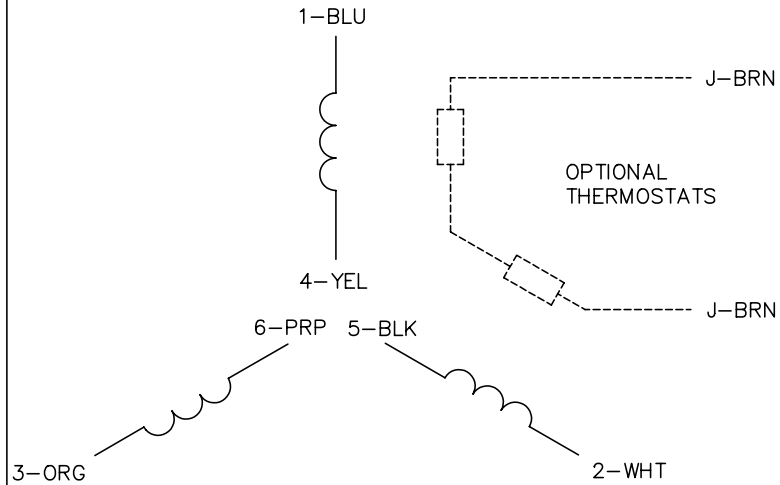
REV. DESC: SECTION VIEW: REMOVE EXTANEOUS PTS FROM LAYOUT		
REV. LTR: K	VERSION: 03	TDR: 000001047233
FILE: \AAA\00000\561	REVISED: 08:12:58 10/17/2017	BY: ENBENBO
MTL: -	© □	

**BALDOR**

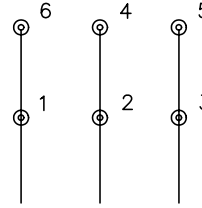
STD HORZ 34M NEMA 56 TEFC  
SH 1 of 1

34LYA061

CD0022

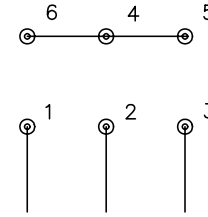


LOW VOLTAGE  
(1D)



LINE

HIGH VOLTAGE  
(1Y)



LINE

NOTES:

1. INTERCHANGE ANY TWO LINE LEADS TO REVERSE ROTATION.
2. OPTIONAL THERMOSTATS ARE PROVIDED WHEN SPECIFIED.
3. ACTUAL NUMBER OF INTERNAL PARALLEL CIRCUITS MAY BE A MULTIPLE OF THOSE SHOWN ABOVE.
4. LEAD COLORS ARE OPTIONAL. LEADS MUST ALWAYS BE NUMBERED AS SHOWN.

REV. DESC: REVISE TO SHOW OPTIONAL COLORS			
REV. LTR: F	BY: JLP	REVISED: 01/21/99 3:54	TDR: 0171435
CD0022		FILE: AAA00005144	MDL: -
		MTL: -	

**BALDOR ELECTRIC Co.**

3PH, DV, 6 LEADS, DELTA/WYE CONNECTION

CD0022