



---

# Customer information packet

## M3538

.5HP, 1720RPM, 3PH, 60HZ, 56, 3416M, TEFC, F1, N

Class - None

Division - Not Applicable

## Specifications

Enclosure	TEFC
Frame	56
Frame Material	Steel
Frequency	60.00 Hz
Haz Area Class and Group	None
Haz Area Division	Not Applicable
Motor Letter Type	Three Phase
Output @ Frequency	.500 HP @ 60 HZ
Phase	3
Synchronous Speed @ Frequency	1800 RPM @ 60 HZ
Voltage @ Frequency	230.0 V @ 60 HZ 460.0 V @ 60 HZ
Agency Approvals	CSA UR
Ambient Temperature	40 °C
Auxillary Box	No Auxillary Box
Auxillary Box Lead Termination	None
Base Indicator	Rigid
Bearing Grease Type	Polyrex EM (-20F +300F)
Blower	None
Current @ Voltage	.800 A @ 460.0 V 1.600 A @ 230.0 V 1.700 A @ 208.0 V
Design Code	B
Drip Cover	No Drip Cover
Duty Rating	CONT
Efficiency @ 100% Load	75.5 %
Electrically Isolated Bearing	Not Electrically Isolated
Feedback Device	NO FEEDBACK
Front Shaft Indicator	None
Heater Indicator	No Heater
High Voltage Full Load Amps	0.8 a

## Part detail

Revision	E
Type	AC
Mech. spec.	34A061
Base	
Status	PRD/A
Elec. spec.	34WGR706
Layout	34LYA061
Eff. date	12-30-2024
CD Diagram	CD0005
Poles	04
Leads	9#18
Proprietary	False
Created date	11-19-2020

<b>Insulation Class</b>	B
<b>Inverter Code</b>	Not Inverter
<b>KVA Code</b>	J
<b>Lifting Lugs</b>	No Lifting Lugs
<b>Locked Bearing Indicator</b>	No Locked Bearing
<b>Motor Lead Quantity/Wire Size</b>	9 @ 18 AWG
<b>Motor Lead Termination</b>	Flying Leads
<b>Motor Standards</b>	NEMA
<b>Motor Type</b>	3416M
<b>Mounting Arrangement</b>	F1
<b>Number of Poles</b>	4
<b>Overall Length</b>	11.35 IN
<b>Power Factor</b>	75
<b>Product Family</b>	General Purpose
<b>Pulley End Bearing Type</b>	Ball
<b>Pulley Face Code</b>	Standard
<b>Pulley Shaft Indicator</b>	Standard
<b>Rodent Screen</b>	None
<b>Service Factor</b>	1.25
<b>Shaft Diameter</b>	0.625 IN
<b>Shaft Ground Indicator</b>	No Shaft Grounding
<b>Shaft Rotation</b>	Reversible
<b>Shaft Slinger Indicator</b>	No Slinger
<b>Speed</b>	1720 rpm
<b>Speed Code</b>	Single Speed
<b>Starting Method</b>	Direct on line
<b>Thermal Device - Bearing</b>	None
<b>Thermal Device - Winding</b>	None
<b>Vibration Sensor Indicator</b>	No Vibration Sensor
<b>Winding Thermal 1</b>	None
<b>Winding Thermal 2</b>	None

**Nameplate**

<b>NP1256L</b>									
<b>CAT.NO.</b>	M3538								
<b>SPEC.</b>	34A061R706								
<b>HP</b>	.5								
<b>VOLTS</b>	230/460								
<b>AMP</b>	1.6/.8								
<b>RPM</b>	1720								
<b>FRAME</b>	56		<b>HZ</b>	60		<b>PH</b>	3		
<b>SER.F.</b>	1.25	<b>CODE</b>	J	<b>DES</b>	B	<b>CLASS</b>	B		
<b>NEMA-NOM-EFF</b>	75.5	<b>PF</b>	75						
<b>RATING</b>	40C AMB-CONT								
<b>CC</b>									
<b>DE</b>	6203	<b>ODE</b>	6203						
<b>ENCL</b>	TEFC	<b>SN</b>							
	SFA 1.9/0.95								

**Accessories**

<b>Part number</b>	<b>Description</b>	<b>Multiplier</b>
34-171	C FACE KIT	A8

**AC Induction Motor Performance Data**

Record # 110334

Typical performance - not guaranteed values

Winding: 34WGR706-R002		Type: 3416M		Enclosure: TEFC			
<b>Nameplate Data</b>			<b>460 V, 60 Hz: High Voltage Connection</b>				
Rated Output (HP)	.5	Full Load Torque	1.53 LB-FT				
Volts	230/460	Start Configuration	direct on line				
Full Load Amps	1.6/.8	Breakdown Torque	5.15 LB-FT				
R.P.M.	1720	Pull-up Torque	2.87 LB-FT				
Hz	60 Phase	3	Locked-rotor Torque	3.94 LB-FT			
NEMA Design Code	B	KVA Code	J	Starting Current	5 A		
Service Factor (S.F.)	1.25		No-load Current	0.577 A			
NEMA Nom. Eff.	75.5	Power Factor	75	Line-line Res. @ 25°C	48.9 Ω		
Rating - Duty	40C AMB-CONT		Temp. Rise @ Rated Load	50°C			
S.F. Amps	1.9/0.95		Temp. Rise @ S.F. Load	70°C			
			Locked-rotor Power Factor	66.6			
			Rotor inertia	0.0381 lb-ft <sup>2</sup>			

**Load Characteristics 460 V, 60 Hz, 0.5 HP**

% of Rated Load	25	50	75	100	125	150	S.F.
Power Factor	34	53	66	75	81	84	81
Efficiency	58.6	70.6	74.6	75.5	74.8	72.9	74.8
Speed	1779	1761	1741	1718	1692	1662	1692
Line amperes	0.583	0.631	0.712	0.824	0.962	1.14	0.962

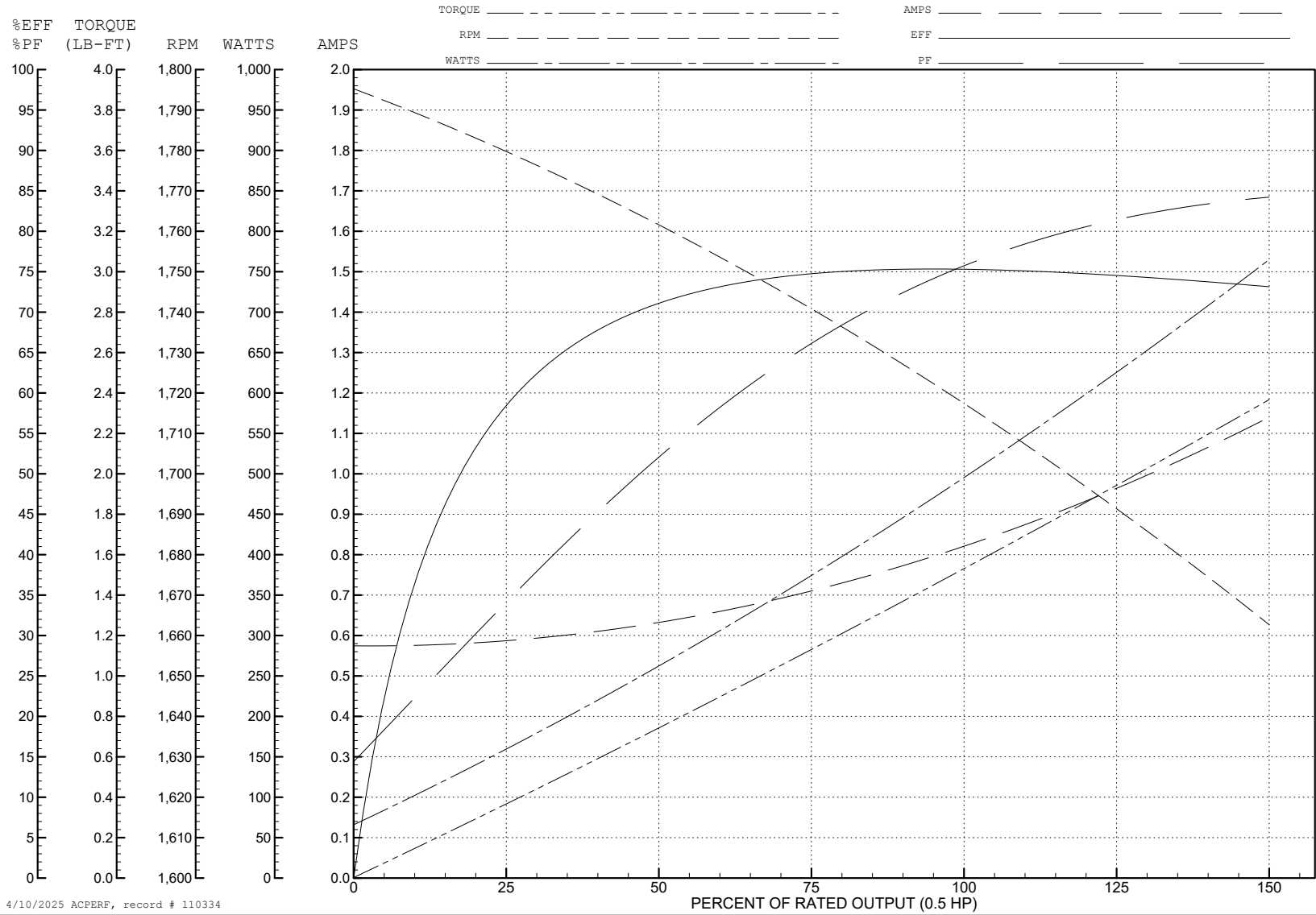
ABB Motors and Mechanical Inc.

WINDING # 34WGR706

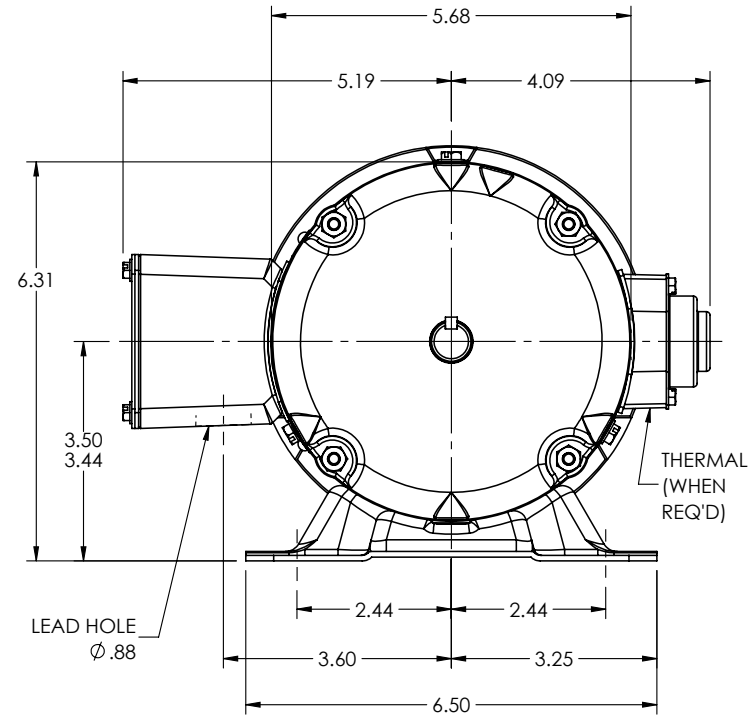
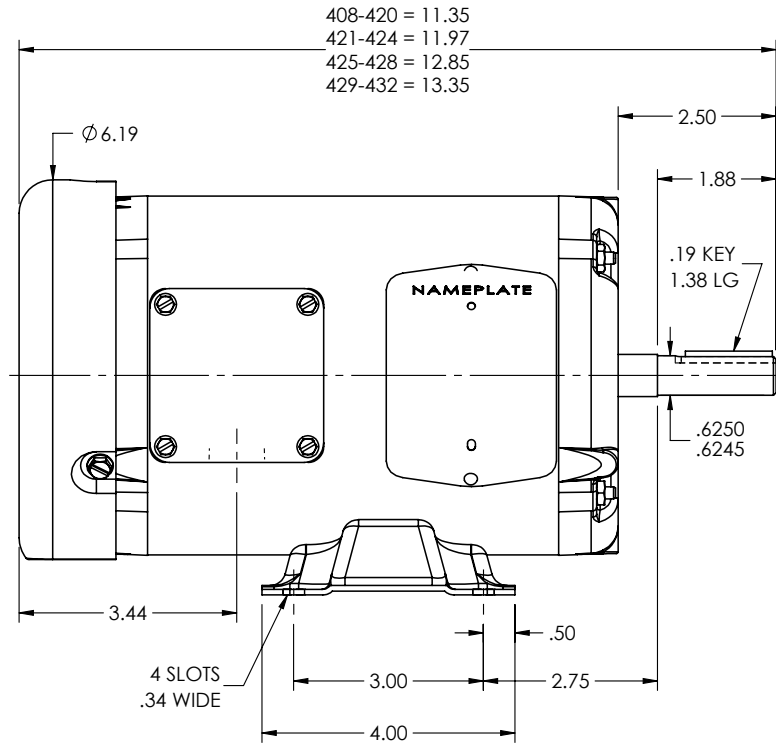
Typical performance - not guaranteed values.

0.5 HP 3 PH 60 HZ 1720 RPM 460 V 3416M

TORQUES (LB-FT): PO=5.15 PU=2.87 LR=3.94 LRA=5



34LYA061



CUSTOMER IS RESPONSIBLE FOR DETERMINING THAT THE PRODUCT WILL PERFORM SUITABLY IN THE INTENDED APPLICATION

REV. DESC: CLEAN UP DIMENSIONING

REV: N	VERSION: 06	REVISED: 02:32:44 11/26/2024	TDR: 000001245356
--------	-------------	------------------------------	-------------------

34LYA061

MODEL NO. 34LYA061  
 BY: ENJEFD0

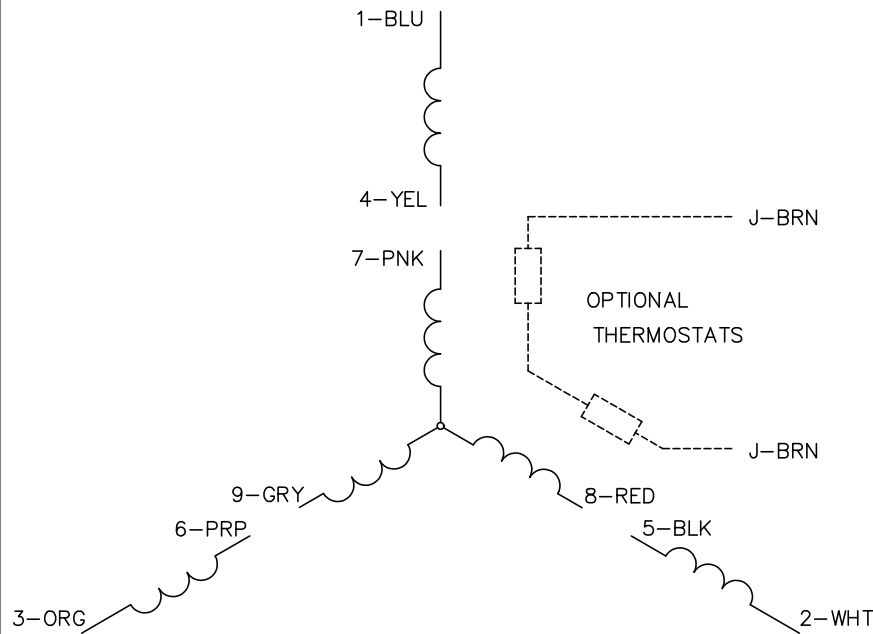
REF: -

**BALDOR - RELIANCE®**

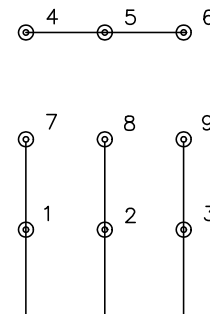
STD HORZ 34M NEMA 56 TEFC

34LYA061

CD0005

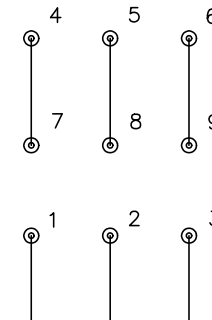


LOW VOLTAGE  
(2Y)



LINE

HIGH VOLTAGE  
(1Y)



LINE

NOTES:

1. INTERCHANGE ANY TWO LINE LEADS TO REVERSE ROTATION.
2. OPTIONAL THERMOSTATS ARE PROVIDED WHEN SPECIFIED.
3. ACTUAL NUMBER OF INTERNAL PARALLEL CIRCUITS MAY BE A MULTIPLE OF THOSE SHOWN ABOVE.
4. LEAD COLORS ARE OPTIONAL. LEADS MUST ALWAYS BE NUMBERED AS SHOWN.

REV. DESC: REVISE TO SHOW OPTIONAL COLORS			
REV. LTR: E	BY: JLP	REVISED: 01/19/99 10:15	TDR: 0171435
S00000		FILE: AAA00005140	MDL: -
		MTL: -	

**BALDOR ELECTRIC Co.**

3PH, DV, 9 LEADS

CD0005