

BALDOR® • RELIANCE 

Product Information Packet

M3542

.75HP, 1725RPM, 3PH, 60HZ, 56, 3420M, TEFC, F1

Part Detail							
Revision:	W	Status:	PRD/A	Change #:		Proprietary:	No
Type:	AC	Elec. Spec:	34WG0883	CD Diagram:	CD0005	Mfg Plant:	
Mech. Spec:	34A061	Layout:	34LYA061	Poles:	04	Created Date:	
Base:	RG	Eff. Date:	02-15-2018	Leads:	9#18		

Specs			
Catalog Number:	M3542	Heater Indicator:	No Heater
Enclosure:	TEFC	Insulation Class:	B
Frame:	56	Inverter Code:	Not Inverter
Frame Material:	Steel	KVA Code:	K
Output @ Frequency:	.750 HP @ 60 HZ	Lifting Lugs:	No Lifting Lugs
Synchronous Speed @ Frequency:	1800 RPM @ 60 HZ	Locked Bearing Indicator:	No Locked Bearing
Voltage @ Frequency:	208.0 V @ 60 HZ	Motor Lead Quantity/Wire Size:	9 @ 18 AWG
	460.0 V @ 60 HZ	Motor Lead Exit:	Ko Box
	230.0 V @ 60 HZ	Motor Lead Termination:	Flying Leads
XP Class and Group:	None	Motor Type:	3420M
XP Division:	Not Applicable	Mounting Arrangement:	F1
Agency Approvals:	CSA	Power Factor:	60
	UR	Product Family:	General Purpose
Auxillary Box:	No Auxillary Box	Pulley End Bearing Type:	Ball
Auxillary Box Lead Termination:	None	Pulley Face Code:	Standard
Base Indicator:	Rigid	Pulley Shaft Indicator:	Standard
Bearing Grease Type:	Polyrex EM (-20F +300F)	Rodent Screen:	None
Blower:	None	Shaft Extension Location:	Pulley End

Current @ Voltage:	3.600 A @ 208.0 V	Shaft Ground Indicator:	No Shaft Grounding
	3.200 A @ 208.0 V	Shaft Rotation:	Reversible
	3.000 A @ 230.0 V	Shaft Slinger Indicator:	No Slinger
	1.500 A @ 460.0 V	Speed Code:	Single Speed
Design Code:	B	Motor Standards:	NEMA
Drip Cover:	No Drip Cover	Starting Method:	Direct on line
Duty Rating:	CONT	Thermal Device - Bearing:	NONE (OLD)
Electrically Isolated Bearing:	Not Electrically Isolated	Thermal Device - Winding:	None
Feedback Device:	NO FEEDBACK	Vibration Sensor Indicator:	No Vibration Sensor
Front Face Code:	Standard	Winding Thermal 1:	None
Front Shaft Indicator:	None	Winding Thermal 2:	None

Nameplate NP1256L										
CAT.NO.	M3542									
SPEC.	34A61-883									
HP	.75									
VOLTS	208-230/460									
AMP	3.2-3/1.5									
RPM	1725									
FRAME	56				HZ	60			PH	3
SER.F.	1.25		CODE	K	DES	B		CLASS	B	
NEMA-NOM-EFF	75.5		PF	60						
RATING	40C AMB-CONT									
CC								USABLE AT 208V	3.6	
DE	6203				ODE	6203				
ENCL	TEFC		SN							
	SFA 3.6-3.4/1.7									

Parts List		
Part Number	Description	Quantity
SA009795	SA 34A61-883	1.000 EA
RA006240	RA 34A61-883	1.000 EA
NS2512A01	INSULATOR, CONDUIT BOX X	1.000 EA
34CB3002A	CB CAST W/.88 DIA HOLE	1.000 EA
34GS1029A01	GASKET, CONDUIT BOX	1.000 EA
51XB1016A07	10-16 X 7/16 HXWSSLD SERTYB	2.000 EA
11XW1032G06	10-32 X .38, TAPTITE II, HEX WSHR SLTD U	1.000 EA
34EP3102A01SP	FR ENDPLATE, MACH	1.000 EA
HW5100A03	WAVY WASHER (W1543-017)	1.000 EA
34EP3102A02SP	FR/PU ENDPLATE, MACH	1.000 EA
XY1032A02	10-32 HEX NUT DIRECTIONAL SERRATION	4.000 EA
34FN3002A01SP	EXTERNAL FAN, PLASTIC, .637/.639 HUB W/	1.000 EA
34FH4002A01SP	IEC FH NO GREASER PRIMED	1.000 EA
51XW1032A06	10-32 X .38, TAPTITE II, HEX WSHR SLTD S	3.000 EA
34CB4517	CB LID 4 MTG HOLES .22 DIA STAMPED, FOR	1.000 EA
34GS1031A01	GASKET, FLAT CONDUIT BOX LID (LEXIDE)	1.000 EA
51XW0832A07	8-32 X .44, TAPTITE II, HEX WSHR SLTD SE	4.000 EA
HW2501D13	KEY, 3/16 SQ X 1.375	1.000 EA
HA7000A04	KEY RETAINER 0.625 DIA SHAFTS	1.000 EA
MG1000G27	MED CHARCOAL METALLIC GREY 400-0096	0.014 GA
85XU0407S04	4X1/4 U DRIVE PIN STAINLESS	2.000 EA
HA3100A12	THRUBOLT 10-32 X 7.375	4.000 EA
MN416A01	TAG-INSTAL-MAINT no wire (1200/bx) 5/18	1.000 EA
LC0005E01	CONN.DIA./WARNING LABEL (LC0005/LB1119N)	1.000 EA

Parts List (continued)		
Part Number	Description	Quantity
NP1256L	ALUM UL CSA CC INDUSTRIAL MOTOR A60	1.000 EA
35PA1000	PKG GRP, PRINT PK1008A06	1.000 EA

Accessories		
Part Number	Description	Multiplier
34-171	C FACE KIT	A8

AC Induction Motor Performance Data
Record # 6605 - Typical performance - not guaranteed values

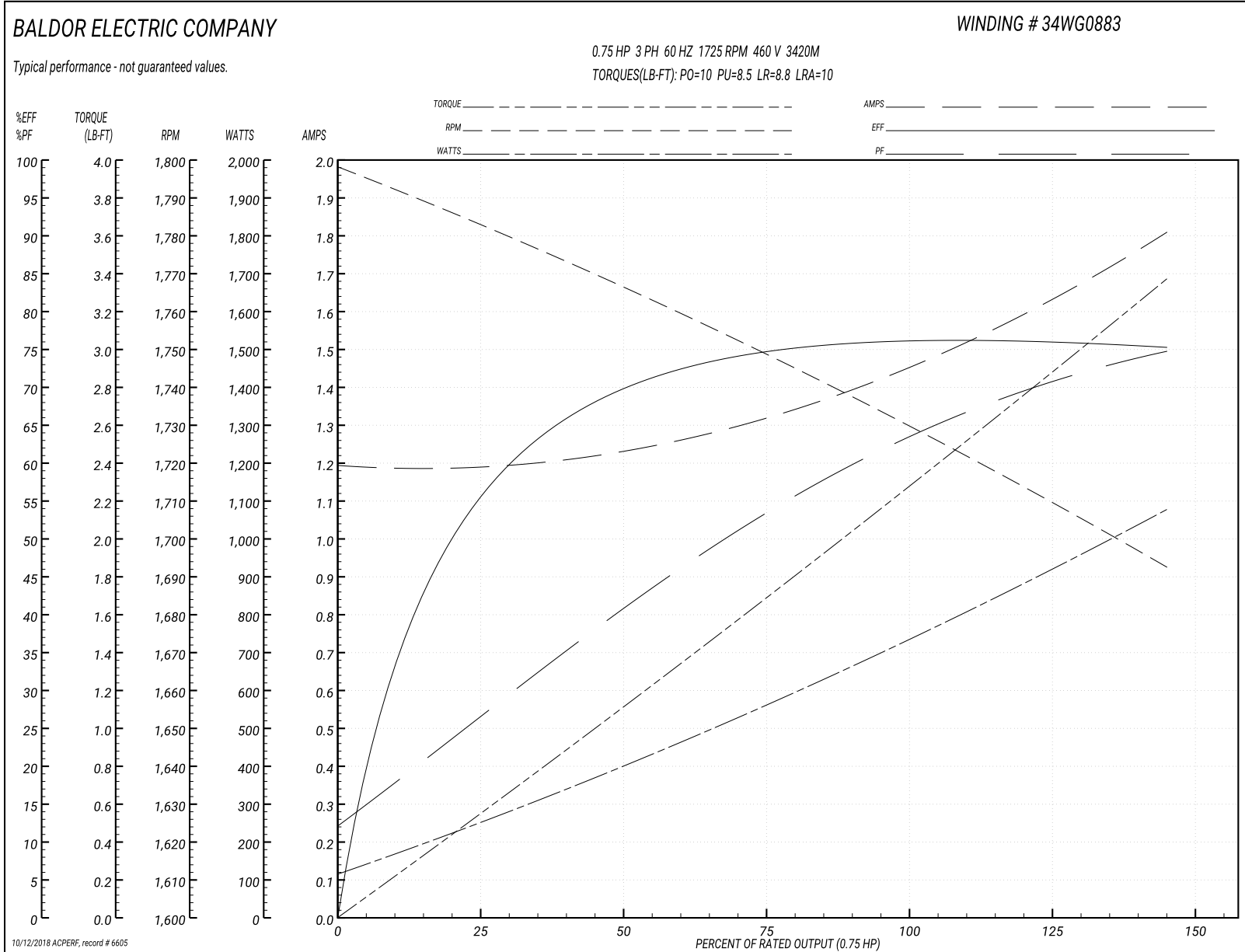
Winding: 34WG0883-R001	Type: 3420M	Enclosure: TEFC
-------------------------------	--------------------	------------------------

Nameplate Data				460 V, 60 Hz: High Voltage Connection	
Rated Output (HP)	.75			Full Load Torque	2.25 LB-FT
Volts	208-230/460			Start Configuration	direct on line
Full Load Amps	3.2-3/1.5			Breakdown Torque	10 LB-FT
R.P.M.	1725			Pull-up Torque	8.5 LB-FT
Hz	60	Phase	3	Locked-rotor Torque	8.8 LB-FT
NEMA Design Code	B	KVA Code	K	Starting Current	10 A
Service Factor (S.F.)	1.25			No-load Current	1.2 A
NEMA Nom. Eff.	75.5	Power Factor	60	Line-line Res. @ 25°C	17.68 Ω
Rating - Duty	40C AMB-CONT			Temp. Rise @ Rated Load	74°C
S.F. Amps	3.6-3.4/1.7			Temp. Rise @ S.F. Load	91°C

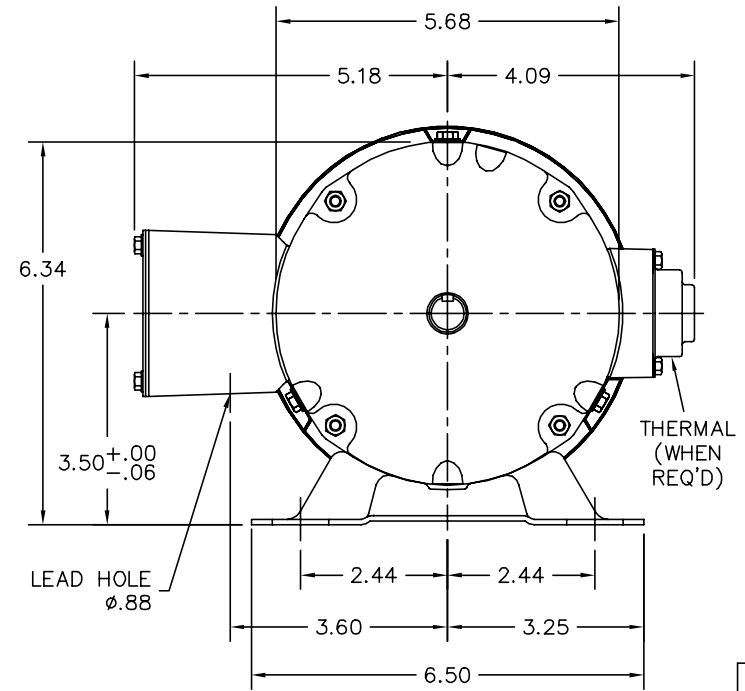
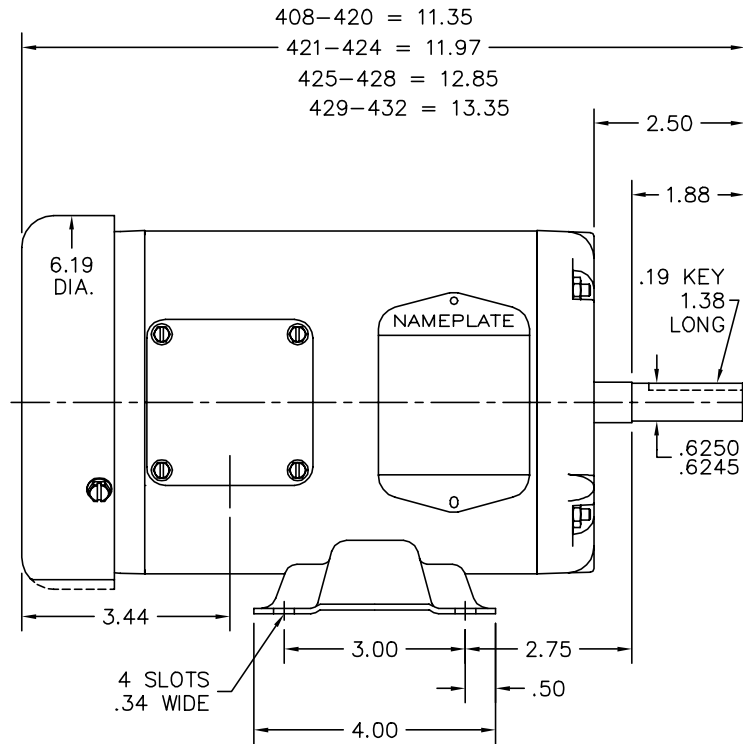
Load Characteristics 460 V, 60 Hz, 0.75 HP

% of Rated Load	25	50	75	100	125	150	S.F.
Power Factor	28	42	55	64	71	76	71
Efficiency	56.1	69.7	74.7	76.2	76.1	75.2	76.1
Speed	1783	1766	1749	1731	1711	1693	1711
Line amperes	1.2	1.2	1.3	1.5	1.6	1.8	1.6

Performance Graph at 460V, 60Hz, 0.75HP Typical performance - Not guaranteed values



34LYA061



CUSTOMER IS RESPONSIBLE FOR DETERMINING THAT BALDOR'S PRODUCT WILL PERFORM SUITABLY IN THE INTENDED APPLICATION.

REV. DESC: SECTION VIEW: REMOVE EXTANEOUS PTS FROM LAYOUT		
REV. LTR: K	VERSION: 03	TDR: 000001047233
FILE: \AAA\00000\561	REVISED: 08:12:58 10/17/2017	BY: ENBENBO
MTL: -	☉ □	

BALDOR

STD HORZ 34M NEMA 56 TEFC

SH 1 of 1

34LYA061

CD0005

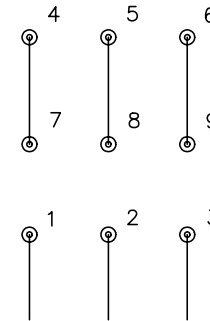


LOW VOLTAGE
(2Y)



LINE

HIGH VOLTAGE
(1Y)



LINE

NOTES:

1. INTERCHANGE ANY TWO LINE LEADS TO REVERSE ROTATION.
2. OPTIONAL THERMOSTATS ARE PROVIDED WHEN SPECIFIED.
3. ACTUAL NUMBER OF INTERNAL PARALLEL CIRCUITS MAY BE A MULTIPLE OF THOSE SHOWN ABOVE.
4. LEAD COLORS ARE OPTIONAL. LEADS MUST ALWAYS BE NUMBERED AS SHOWN.

REV. DESC: REVISE TO SHOW OPTIONAL COLORS

REV. LTR: E BY: JLP

REVISED: 01/19/99 10:15

TDR: 0171435

9000D

FILE: AAA00005140

MDL: -

MTL: -

BALDOR ELECTRIC Co.

3PH, DV, 9 LEADS

CD0005