

PRODUCT INFORMATION PACKET



Model No: M6C17FB11J

Catalog No: 110086.00

..1/2HP..1725RPM.56.TEFC.115/230V.1PH.60HZ.CONT.40C.1.15SF.RIGID.M6C17FB11J.....AG - FARM DUTY/GENERAL PURPOSE.MANUAL.....

Agricultural



Regal and Leeson are trademarks of Regal Beloit Corporation or one of its affiliated companies.

©2018 Regal Beloit Corporation, All Rights Reserved. MC017097E





Nameplate Specifications

| | | | |
|----------------------------|------------------------------------|------------------------|----------------------|
| Output HP | 0.50 Hp | Output KW | 0.37 kW |
| Frequency | 60 Hz | Voltage | 115/208-230 V |
| Current | 8.8/4.4 A | Speed | 1725 rpm |
| Service Factor | 1.15 | Phase | 1 |
| Efficiency | 66 % | Duty | Continuous |
| Insulation Class | B | Design Code | L |
| KVA Code | L | Frame | 56 |
| Enclosure | Totally Enclosed Fan Cooled | Overload Protector | Manual |
| Ambient Temperature | 40 °C | Drive End Bearing Size | 6203 |
| Opp Drive End Bearing Size | 6203 | UL | Recognized |
| CSA | Y | CE | N |
| IP Code | 54 | | |

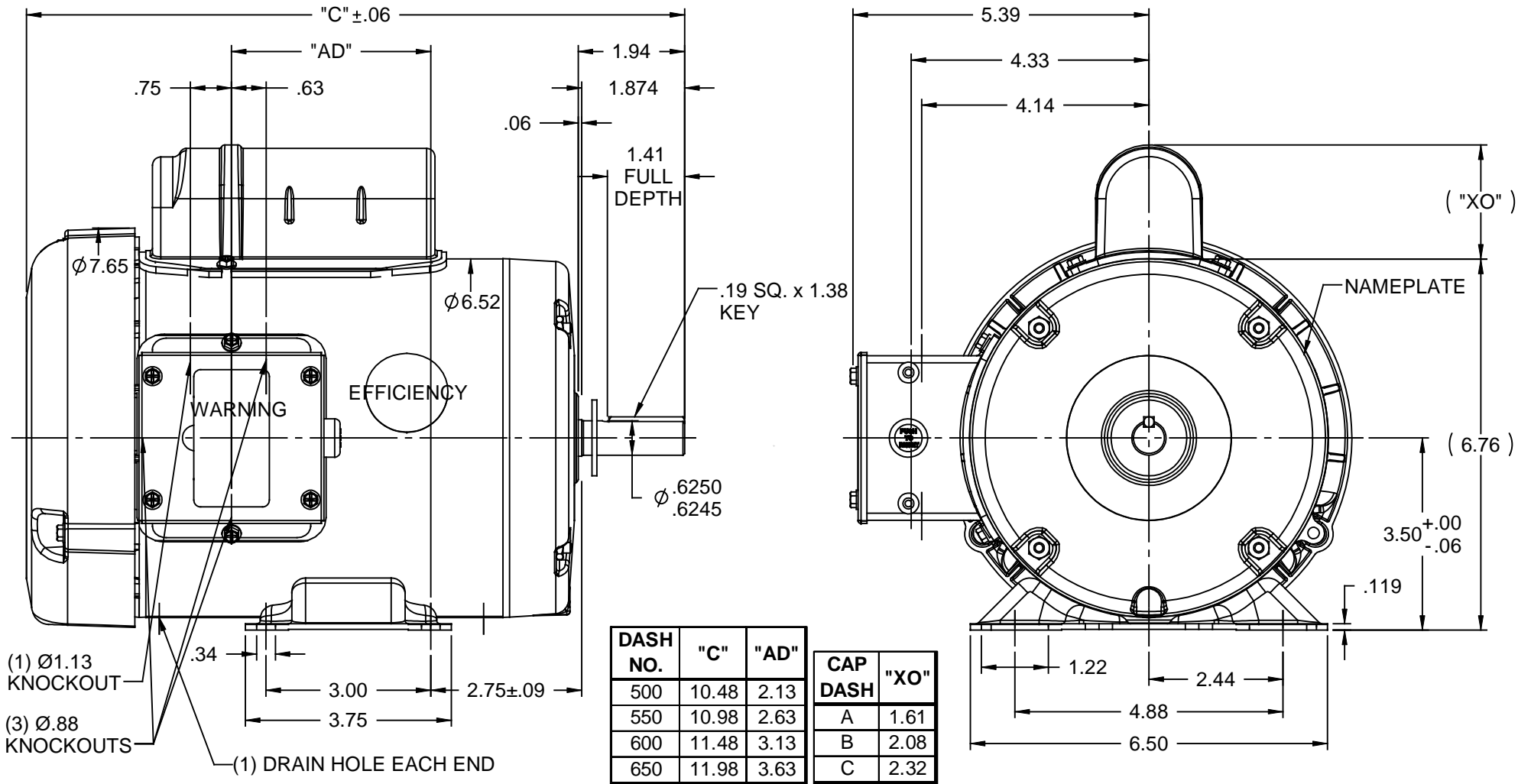
Technical Specifications


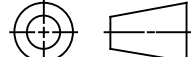
| | | | |
|-----------------------|--------------------------------------|-----------------------|-----------------------------------|
| Electrical Type | Capacitor Start Induction Run | Starting Method | Across The Line |
| Poles | 4 | Rotation | Selective Counterclockwise |
| Mounting | Rigid base | Motor Orientation | HORIZONTAL |
| Drive End Bearing | BALL | Opp Drive End Bearing | BALL |
| Frame Material | Rolled Steel | Shaft Type | NEMA 56 |
| Overall Length | 10.48 in | Frame Length | 5.50 in |
| Shaft Diameter | 0.625 in | Shaft Extension | 1.88 in |
| Assembly/Box Mounting | F1 ONLY | | |
| Outline Drawing | 028774-550A | Connection Diagram | 005003.03 |

This document is the property of REGAL BELOIT CORPORATION ("RBC") including its subsidiaries and divisions and contains proprietary information of RBC. This document is loaned on the express condition that neither it nor the information contained therein shall be disclosed to others without the express written consent of RBC, and that the information shall be used by the recipient only as approved expressly by RBC. This document shall be returned to RBC upon its request. This document may be subject to certain restrictions under U.S. export control laws and regulations.

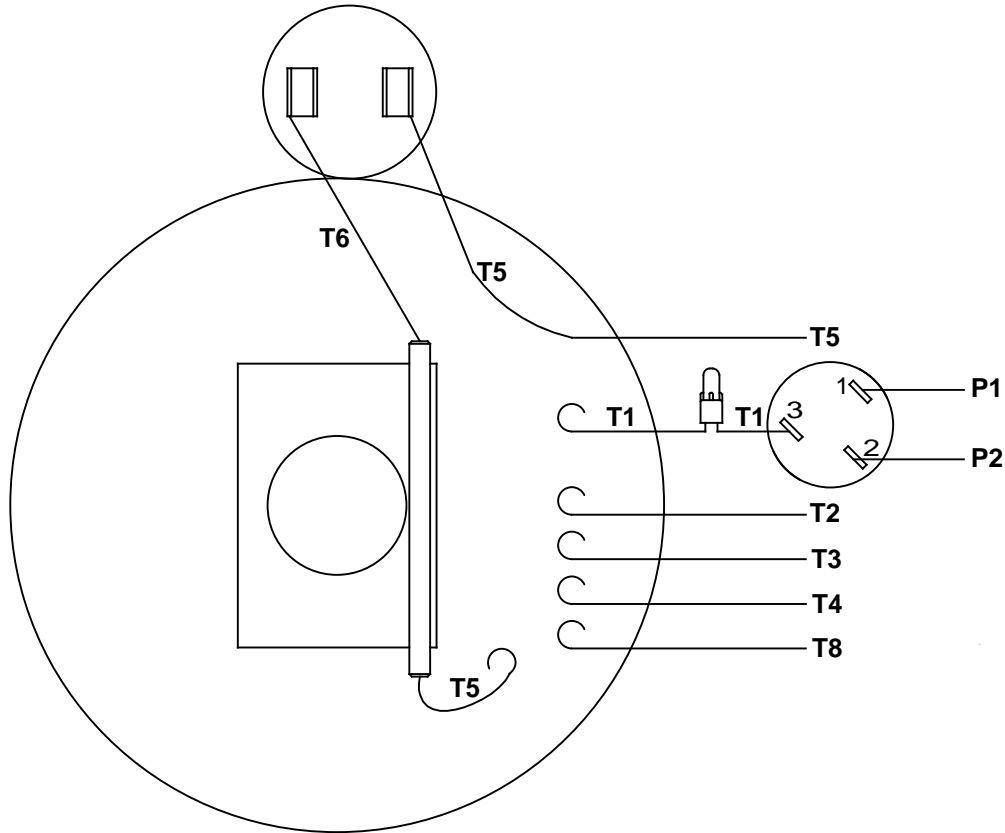
NOTES:

- 1) MANUAL OVERLOAD PROTECTOR.
- 2) FLINGER ON SHAFT.
- 3) GASKETS THROUGHOUT.
- 4) DRAIN HOLE IN FRAME (BOTH ENDS).

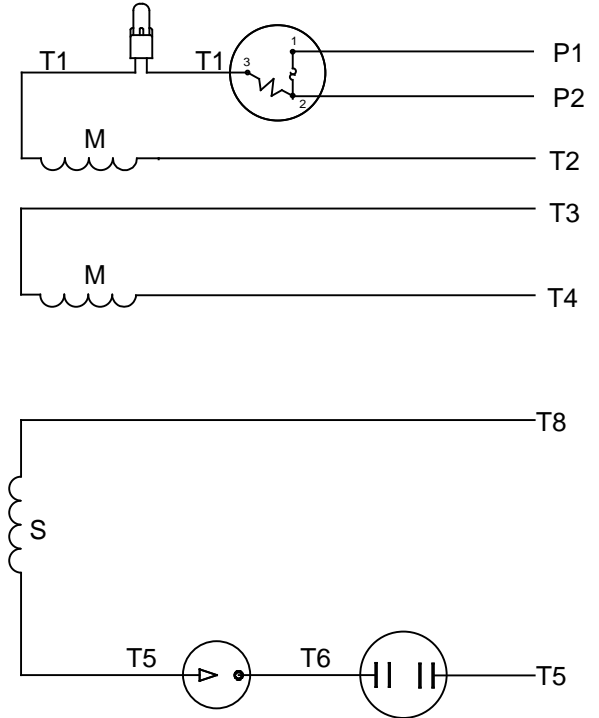


| | | | | | |
|--|---------------------------------------|-----------------------------|-------------------|---|------------------------|
| | | TOLERANCES UNLESS SPECIFIED | |  ELECTRIC MOTORS GEARMOTORS AND DRIVES | DRAWN KMM 08/09/07 |
| | | DEC | INCHES | | CHK |
| | | .X | ±.1 | | APPR |
| | | .XX | ±.03 | | SCALE 3:8 |
| | | .XXX | ±.005 | | REF 032507 |
| 01 | ADD DRAIN HOLE NOTE PER ISAAC 08-1915 | LST 5/7/08 | XX .XXXX ±.0005 | MAT'L | FMF 110088.00 |
| NO | REVISION | BY & DATE | CHK ANG ±1/2° | FINISH GENERAL PURPOSE | PAGE OF |
| THIRD ANGLE PROJECTION  | | | RFP | PREV | SIZE DRAWING NO |
| | | | NETWORK FILE NAME | | A 028774 |
| | | | | | REV 01 |

VIEW FROM OUTSIDE OF MOTOR AT SWITCH END



LINE LEADS



RBC PROPRIETARY AND CONFIDENTIAL INFORMATION
 This document is the property of REGAL BELOIT CORPORATION ("RBC") including its subsidiaries and divisions and contains proprietary information of RBC. This document is loaned on the express condition that neither it nor the information contained therein shall be disclosed to others without the express written consent of RBC, and that the information shall be used by the recipient only as approved expressly by RBC. This document shall be returned to RBC upon its request. This document may be subject to certain restrictions under U.S. export control laws and regulations.

| | ROTATION FACING LEAD END | L1 | L2 | JOIN | INSULATE SEPARATELY |
|-----------|--------------------------|----|-------------|-------------|---------------------|
| HIGH VOLT | C.C.W. | P1 | T4 T5 | T2,T3 T8 | P2 |
| | C.W. | P1 | T4 T8 | T2,T3 T5 | P2 |
| LOW VOLT | C.C.W. | P1 | T2,T4 T5 | P2,T3 T8 | --- |
| | C.W. | P1 | T2,T4 T8 | P2,T3 T5 | --- |

| | | TOLERANCES UNLESS SPECIFIED | | LEESON | ELECTRIC MOTORS GEARMOTORS AND DRIVES | DRAWN | |
|----|-----------------------|-----------------------------|-----------|-------------------|---|-------|---|
| NO | REVISION | DEC | INCHES | | | WLV | 08/20/79 |
| | | .X | ±.1 | | | CHK | ADN 08/27/76 |
| | | .XX | ±.01 | | | APPR | WRK 08/27/76 |
| 06 | REDRAWN IN SOLIDWORKS | VJB | 7/22/2011 | .XXX | ±.005 | TITLE | EXTERNAL WIRING DIAGRAM TYPE "C" W/PROTECTOR |
| 05 | REDRAWN ON CAD | DBT | 05/27/97 | .XXXX | ±.0005 | MAT'L | DECAL - 004011 |
| | | | | CHK | ANG | ±1/2° | FINISH |
| | | | | RFP | PREV | SIZE | DRAWING NO |
| | | | | NETWORK FILE NAME | 00500303 | A | 005003-03 |
| | | | | | | | REV |
| | | | | | | | 06 |





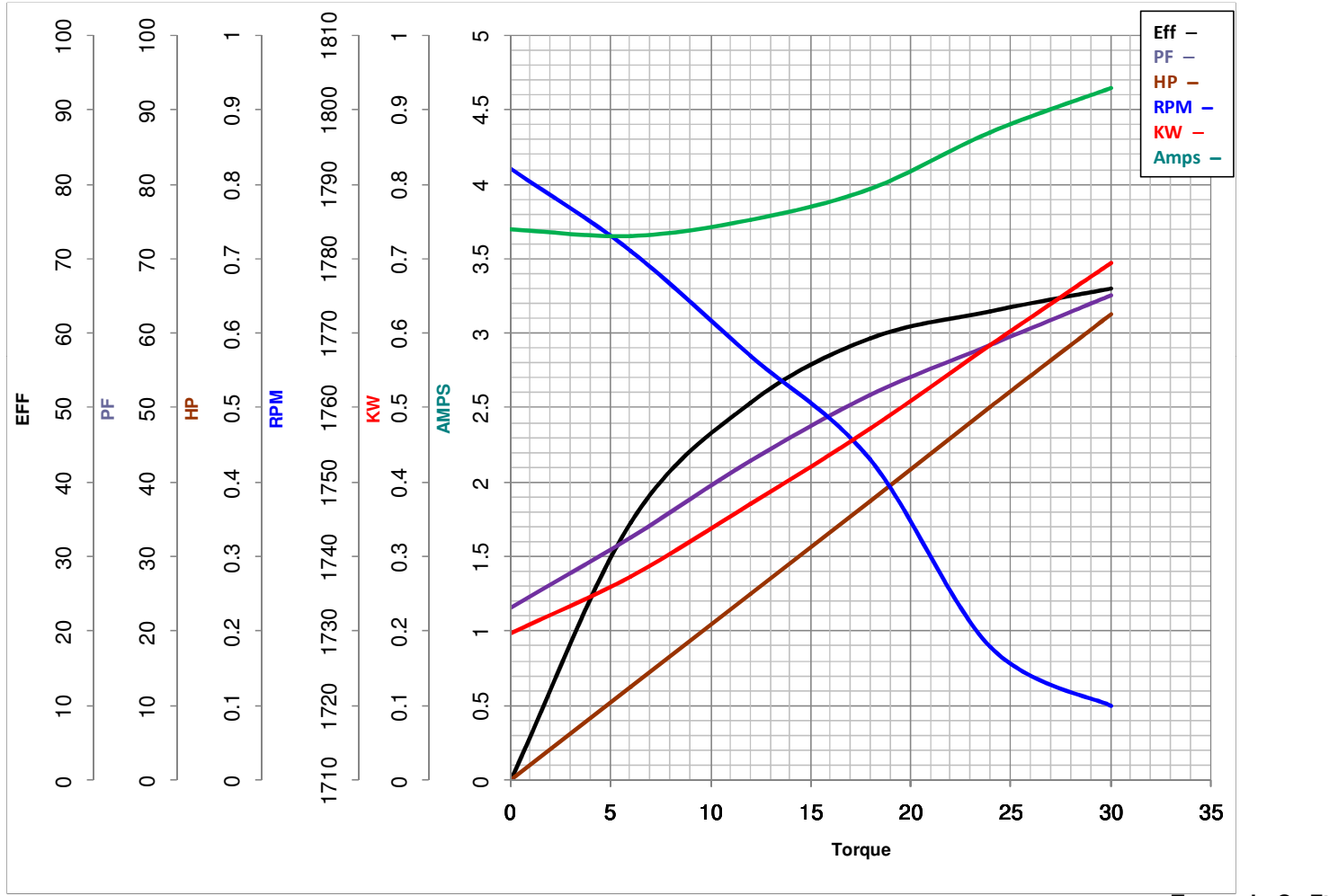
LEESON ELECTRIC CORPORATION
TYPICAL PERFORMANCE CURVE for AC MOTOR

Model No 110086.00

Catalog No 110086.00

Curve at 230 Volts HP 0.50 PHASE 1
60 HZ
0.5 HP VOLTS 115/208-230

HZ 60 RPM 1725



| | | | | | |
|-----------|-------------|-------|-----------|----------------|-------|
| FL TORQUE | <u>24</u> | Oz.Ft | FL AMPS | <u>8.8/4.4</u> | |
| BD TORQUE | <u>67.3</u> | Oz.Ft | PU TORQUE | <u>64.5</u> | Oz.Ft |
| LR TORQUE | <u>86.4</u> | Oz.Ft | LR AMPS | <u>20.28</u> | |
| WINDING | C634257-3 | | Date | 4/11/2018 | |