

# PRODUCT INFORMATION PACKET



Model No: M6C17FB66J

Catalog No: 113256.00

1/3HP..1725RPM.56.TEFC./V.1PH.60HZ.CONT.MANUAL.40C.1.15SF.RIGID.AG - FARM DUTY/GENERAL PURPOSE.M6C17FB66J

Agricultural



Regal and Leeson are trademarks of Regal Beloit Corporation or one of its affiliated companies.

©2018 Regal Beloit Corporation, All Rights Reserved. MC017097E





### Nameplate Specifications

Output HP	<b>0.33 Hp</b>	Output KW	<b>0.25 kW</b>
Frequency	<b>60 Hz</b>	Voltage	<b>115/208-230 V</b>
Current	<b>6.4/3.4-3.2 A</b>	Speed	<b>1725 rpm</b>
Service Factor	<b>1.15</b>	Phase	<b>1</b>
Efficiency	<b>62 %</b>	Duty	<b>Continuous</b>
Insulation Class	<b>B</b>	Design Code	<b>L</b>
KVA Code	<b>M</b>	Frame	<b>56</b>
Enclosure	<b>Totally Enclosed Fan Cooled</b>	Overload Protector	<b>Manual</b>
Ambient Temperature	<b>40 °C</b>	Drive End Bearing Size	<b>6203</b>
Opp Drive End Bearing Size	<b>6203</b>	UL	<b>Recognized</b>
CSA	<b>Y</b>	CE	<b>N</b>
IP Code	<b>54</b>		

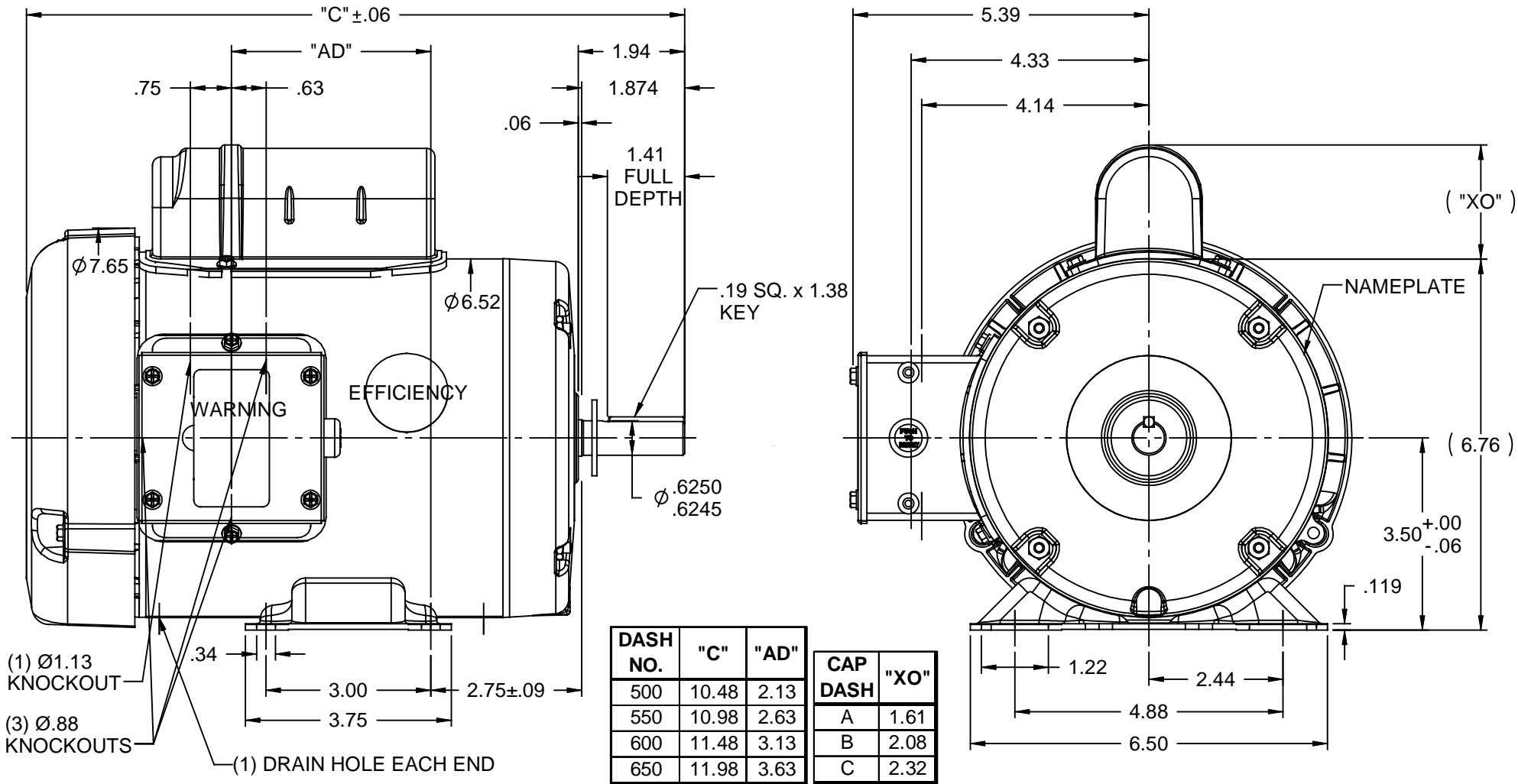
### Technical Specifications


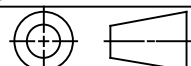
Electrical Type	<b>Capacitor Start Induction Run</b>	Starting Method	<b>Across The Line</b>
Poles	<b>4</b>	Rotation	<b>Selective Counterclockwise</b>
Mounting	<b>Rigid base</b>	Motor Orientation	<b>HORIZONTAL</b>
Drive End Bearing	<b>BALL</b>	Opp Drive End Bearing	<b>BALL</b>
Frame Material	<b>Rolled Steel</b>	Shaft Type	<b>NEMA 56</b>
Overall Length	<b>10.48 in</b>	Frame Length	<b>5.50 in</b>
Shaft Diameter	<b>0.625 in</b>	Shaft Extension	<b>1.88 in</b>
Assembly/Box Mounting	<b>F1 ONLY</b>		
Outline Drawing	<b>028774-550A</b>	Connection Diagram	<b>005003.03</b>

This document is the property of REGAL BELOIT CORPORATION ("RBC") including its subsidiaries and divisions and contains proprietary information of RBC. This document is loaned on the express condition that neither it nor the information contained therein shall be disclosed to others without the express written consent of RBC, and that the information shall be used by the recipient only as approved expressly by RBC. This document shall be returned to RBC upon its request. This document may be subject to certain restrictions under U.S. export control laws and regulations.

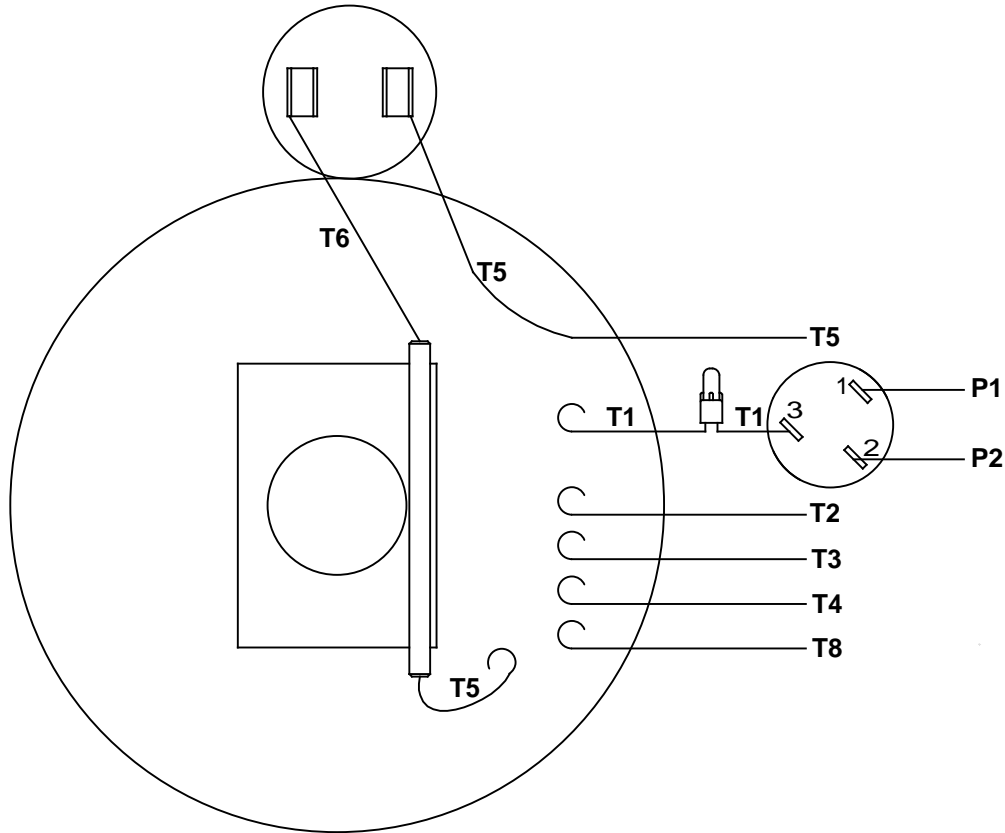
NOTES:

- 1) MANUAL OVERLOAD PROTECTOR.
- 2) FLINGER ON SHAFT.
- 3) GASKETS THROUGHOUT.
- 4) DRAIN HOLE IN FRAME (BOTH ENDS).

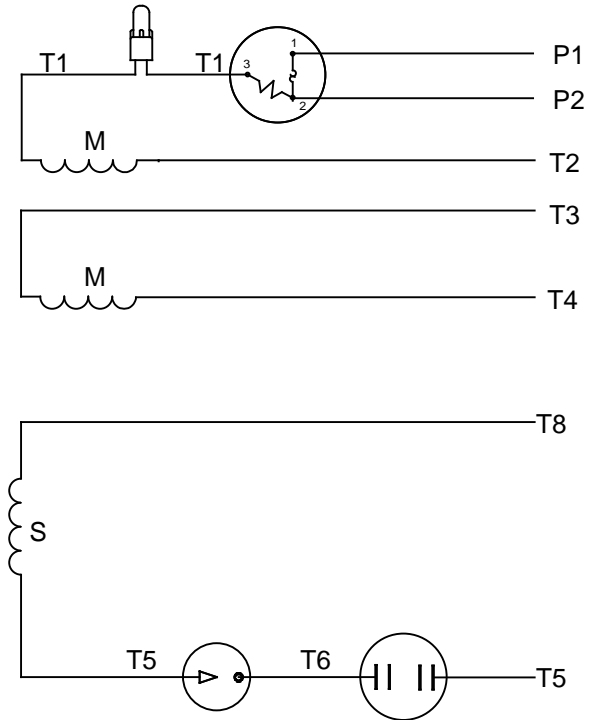


		TOLERANCES UNLESS SPECIFIED		 ELECTRIC MOTORS GEARMOTORS AND DRIVES	DRAWN KMM 08/09/07
		DEC	INCHES		CHK
		.X	±.1		APPR
		.XX	±.03		SCALE 3:8
		.XXX	±.005		REF 032507
01	ADD DRAIN HOLE NOTE PER ISAAC 08-1915	LST 5/7/08	XX .XXXX ±.0005	MAT'L	FMF 110088.00
NO	REVISION	BY & DATE	CHK ANG ±1/2°	FINISH GENERAL PURPOSE	PAGE OF
THIRD ANGLE PROJECTION 			RFP	PREV	SIZE A
			NETWORK FILE NAME	DRAWING NO	REV
				<b>028774</b>	<b>01</b>

# VIEW FROM OUTSIDE OF MOTOR AT SWITCH END



# LINE LEADS



RBC PROPRIETARY AND CONFIDENTIAL INFORMATION  
 This document is the property of REGAL BELOIT CORPORATION ("RBC") including its subsidiaries and divisions and contains proprietary information of RBC. This document is loaned on the express condition that neither it nor the information contained therein shall be disclosed to others without the express written consent of RBC, and that the information shall be used by the recipient only as approved expressly by RBC. This document shall be returned to RBC upon its request. This document may be subject to certain restrictions under U.S. export control laws and regulations.

	ROTATION FACING LEAD END	L1	L2	JOIN	INSULATE SEPARATELY
HIGH VOLT	C.C.W.	P1	T4 T5	T2,T3 T8	P2
	C.W.	P1	T4 T8	T2,T3 T5	P2
LOW VOLT	C.C.W.	P1	T2,T4 T5	P2,T3 T8	---
	C.W.	P1	T2,T4 T8	P2,T3 T5	---

		TOLERANCES UNLESS SPECIFIED		TITLE	DRAWN WLV 08/20/79
		DEC	INCHES		
		.X	±.1	EXTERNAL WIRING DIAGRAM TYPE "C" W/PROTECTOR	APPR WRK 08/27/76
		.XX	±.01		SCALE 1:1
06	REDRAWN IN SOLIDWORKS	VJB	7/22/2011	MAT'L DECAL - 004011	REF
05	REDRAWN ON CAD	DBT	05/27/97		FMF
NO	REVISION	BY & DATE	CHK	ANG ±1/2°	PAGE OF
THIRD ANGLE PROJECTION		RFP		PREV	SIZE
		NETWORK FILE NAME 00500303		DRAWING NO	
				A	
				005003-03	
				REV	
				06	

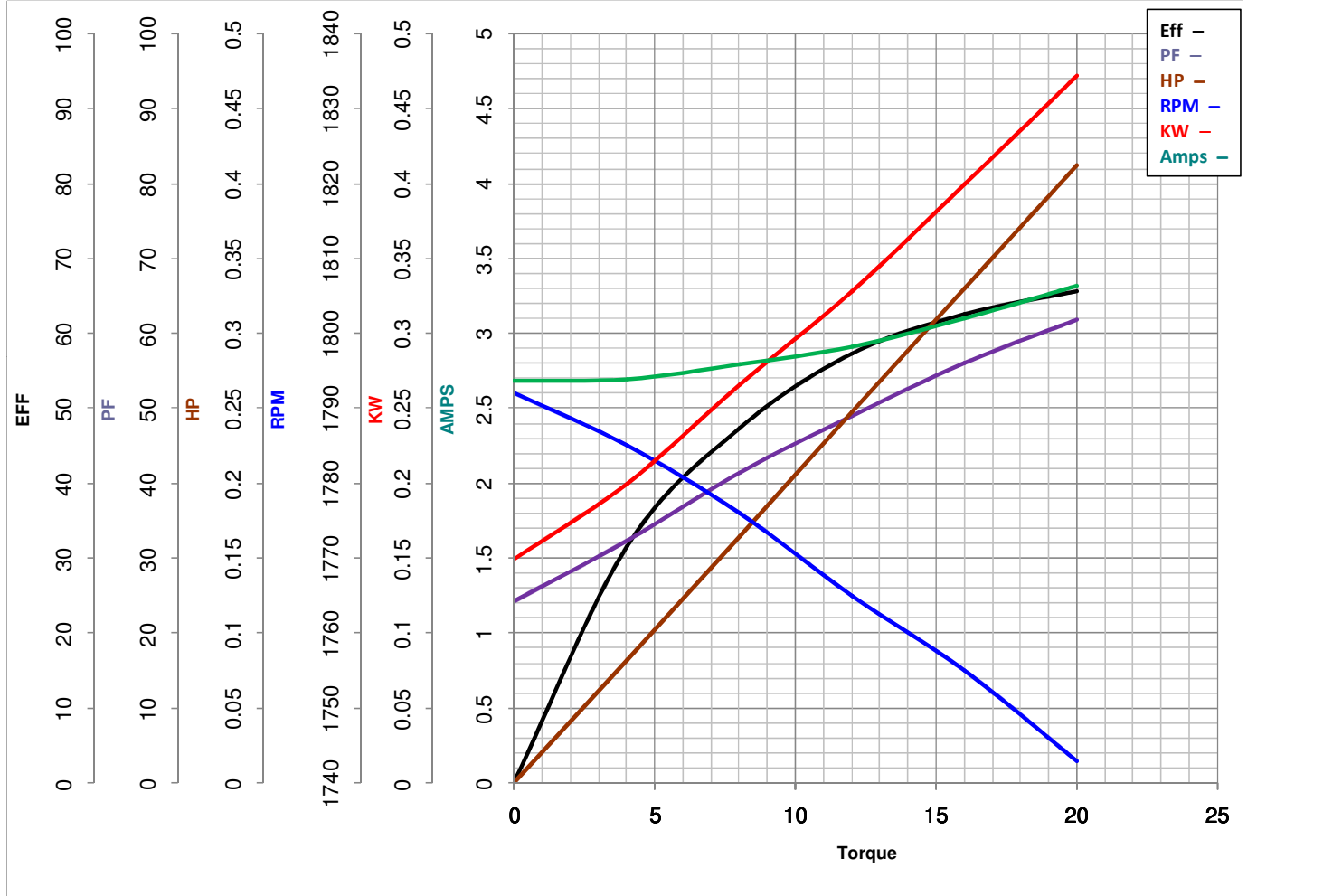


**LEESON ELECTRIC CORPORATION**  
 TYPICAL PERFORMANCE CURVE for AC MOTOR

Model No 113256.00

Catalog No 113256.00

Curve at 230 Volts      HP 0.33      PHASE 1  
60 HZ  
0.33 HP      VOLTS 115/208-230  
                                  HZ 60      RPM 1725



Torque in Oz.Ft

FL TORQUE 16 Oz.Ft  
 BD TORQUE 49.6 Oz.Ft  
 LR TORQUE 60.5 Oz.Ft

FL AMPS 6.4/3.4-3.2  
 PU TORQUE 46.0 Oz.Ft  
 LR AMPS 15.4

WINDING C634260-3

Date 4/23/2018