

PRODUCT INFORMATION PACKET



Model No: M6C17FB9L

Catalog No: 110087.00

3/4HP..1725RPM.56.TEFC..V.1PH.60HZ.CONT.MANUAL.40C.1.15SF.RIGID.AG - FARM DUTY
G.P..M6C17FB9L

Agricultural



Regal and Leeson are trademarks of Regal Beloit Corporation or one of its affiliated companies.

©2018 Regal Beloit Corporation, All Rights Reserved. MC017097E





Nameplate Specifications

Output HP	0.75 Hp	Output KW	0.56 kW
Frequency	60 Hz	Voltage	115/208-230 V
Current	10.8/5.4 A	Speed	1725 rpm
Service Factor	1.15	Phase	1
Efficiency	70 %	Duty	Continuous
Insulation Class	B	Design Code	L
KVA Code	L	Frame	56
Enclosure	Totally Enclosed Fan Cooled	Overload Protector	Manual
Ambient Temperature	40 °C	Drive End Bearing Size	6203
Opp Drive End Bearing Size	6203	UL	Recognized
CSA	Y	CE	N
IP Code	54		

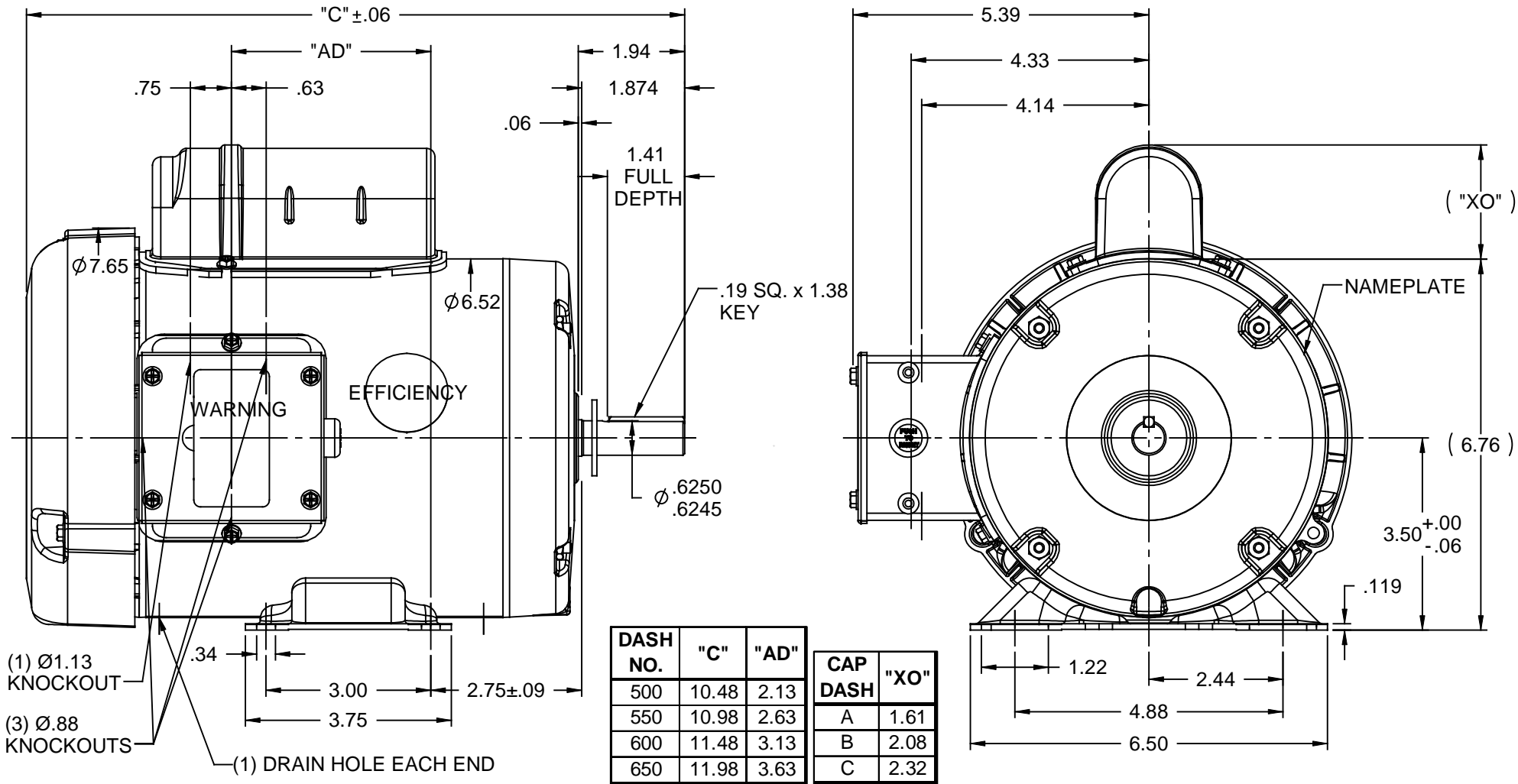
Technical Specifications


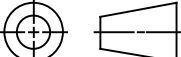
Electrical Type	Capacitor Start Induction Run	Starting Method	Across The Line
Poles	4	Rotation	Selective Counterclockwise
Mounting	Rigid base	Motor Orientation	HORIZONTAL
Drive End Bearing	BALL	Opp Drive End Bearing	BALL
Frame Material	Rolled Steel	Shaft Type	NEMA 56
Overall Length	11.48 in	Frame Length	6.00 in
Shaft Diameter	0.625 in	Shaft Extension	1.88 in
Assembly/Box Mounting	F1 ONLY		
Outline Drawing	028774-600B	Connection Diagram	005003.03

This document is the property of REGAL BELOIT CORPORATION ("RBC") including its subsidiaries and divisions and contains proprietary information of RBC. This document is loaned on the express condition that neither it nor the information contained therein shall be disclosed to others without the express written consent of RBC, and that the information shall be used by the recipient only as approved expressly by RBC. This document shall be returned to RBC upon its request. This document may be subject to certain restrictions under U.S. export control laws and regulations.

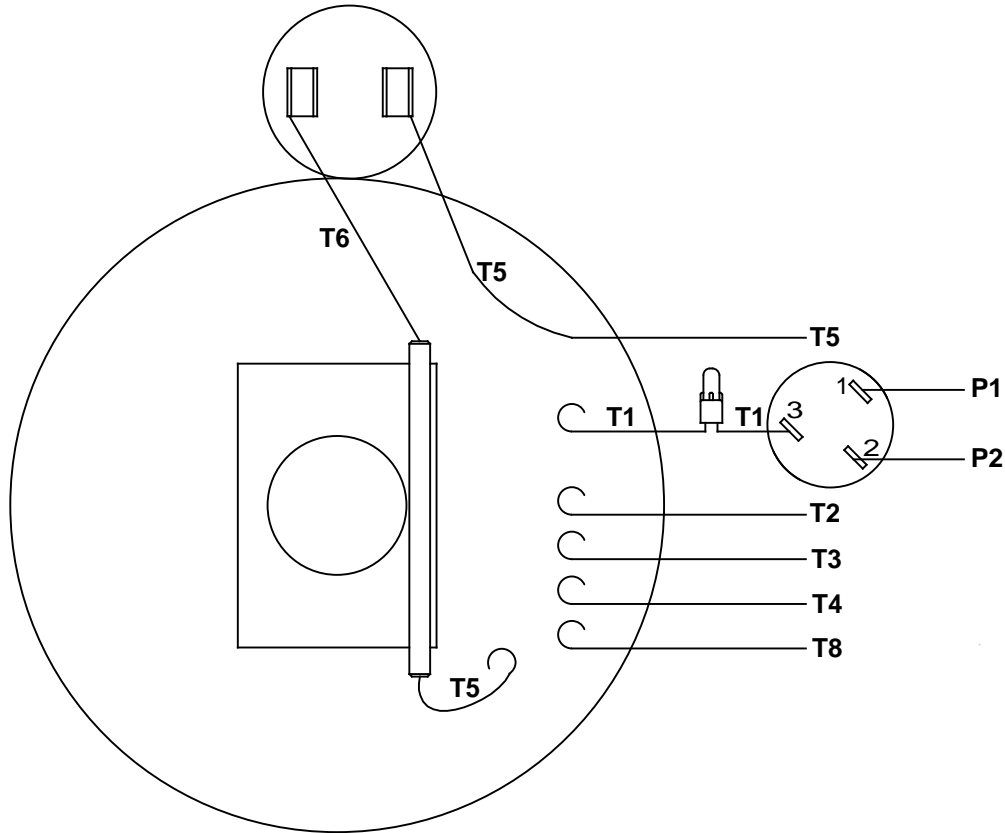
NOTES:

- 1) MANUAL OVERLOAD PROTECTOR.
- 2) FLINGER ON SHAFT.
- 3) GASKETS THROUGHOUT.
- 4) DRAIN HOLE IN FRAME (BOTH ENDS).

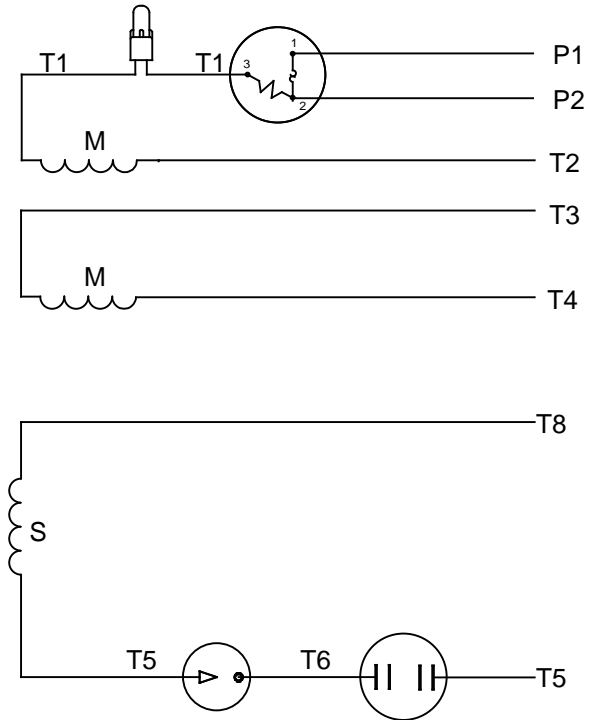


		TOLERANCES UNLESS SPECIFIED		 ELECTRIC MOTORS GEARMOTORS AND DRIVES	DRAWN KMM 08/09/07
		DEC	INCHES		CHK
		.X	±.1		APPR
		.XX	±.03		SCALE 3:8
		.XXX	±.005		REF 032507
01	ADD DRAIN HOLE NOTE PER ISAAC 08-1915	LST 5/7/08	XX .XXXX ±.0005	MAT'L	FMF 110088.00
NO	REVISION	BY & DATE	CHK ANG ±1/2°	FINISH GENERAL PURPOSE	PAGE OF
THIRD ANGLE PROJECTION 			RFP	PREV	SIZE DRAWING NO
			NETWORK FILE NAME		A 028774
					REV 01

VIEW FROM OUTSIDE OF MOTOR AT SWITCH END



LINE LEADS



RBC PROPRIETARY AND CONFIDENTIAL INFORMATION
 This document is the property of REGAL BELOIT CORPORATION ("RBC") including its subsidiaries and divisions and contains proprietary information of RBC. This document is loaned on the express condition that neither it nor the information contained therein shall be disclosed to others without the express written consent of RBC, and that the information shall be used by the recipient only as approved expressly by RBC. This document shall be returned to RBC upon its request. This document may be subject to certain restrictions under U.S. export control laws and regulations.

	ROTATION FACING LEAD END	L1	L2	JOIN	INSULATE SEPARATELY
HIGH VOLT	C.C.W.	P1	T4 T5	T2,T3 T8	P2
	C.W.	P1	T4 T8	T2,T3 T5	P2
LOW VOLT	C.C.W.	P1	T2,T4 T5	P2,T3 T8	---
	C.W.	P1	T2,T4 T8	P2,T3 T5	---

		TOLERANCES UNLESS SPECIFIED		LEESON	ELECTRIC MOTORS GEARMOTORS AND DRIVES	DRAWN WLV 08/20/79	
		DEC	INCHES			CHK	ADN 08/27/76
		.X	±.1			APPR	WRK 08/27/76
		.XX	±.01	TITLE EXTERNAL WIRING DIAGRAM		SCALE 1:1	
06	REDRAWN IN SOLIDWORKS	VJB	7/22/2011	TYPE "C" W/PROTECTOR		REF	
05	REDRAWN ON CAD	DBT	05/27/97	MAT'L DECAL - 004011		FMF	
NO	REVISION	BY & DATE	CHK	ANG	±1/2°	FINISH	PAGE OF
THIRD ANGLE PROJECTION			RFP	PREV	SIZE	DRAWING NO	REV
			NETWORK FILE NAME 00500303		A	005003-03	06



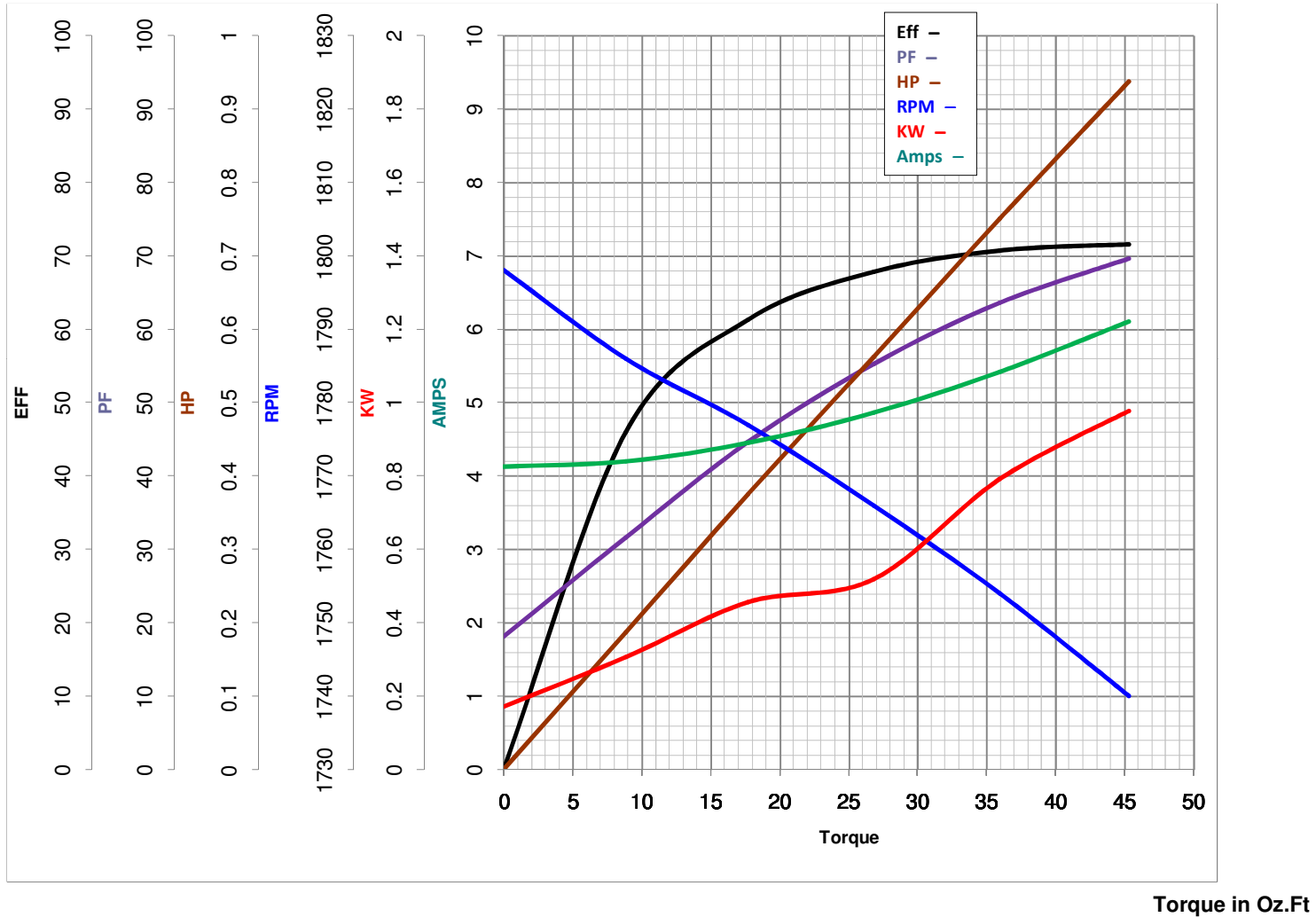
LEESON ELECTRIC CORPORATION
 TYPICAL PERFORMANCE CURVE for AC MOTOR

Model No 110087.00

Curve at 230 Volts HP 0.76 PHASE 1
60 HZ
0.75 HP VOLTS 115/208-230

Catalog No 110087.00

HZ 60 RPM 1725



FL TORQUE 35.94 Oz.Ft
 BD TORQUE 98.5 Oz.Ft
 LR TORQUE 114.5 Oz.Ft

FL AMPS 10.8/5.4
 PU TORQUE 84.2 Oz.Ft
 LR AMPS 30.1

WINDING C634258-3

Date 3/13/2018