

# PRODUCT INFORMATION PACKET



Model No: M6C17FK78E

Catalog No: 116488.00

1HP..1725RPM.56.TEFC./V.1PH.60HZ.CONT.MANUAL.40C.1.15SF.RIGID C.Farm Duty.M6C17FK78E  
Agricultural



Regal and Leeson are trademarks of Regal Beloit Corporation or one of its affiliated companies.

©2018 Regal Beloit Corporation, All Rights Reserved. MC017097E





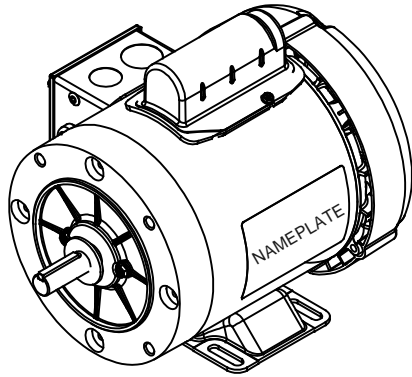
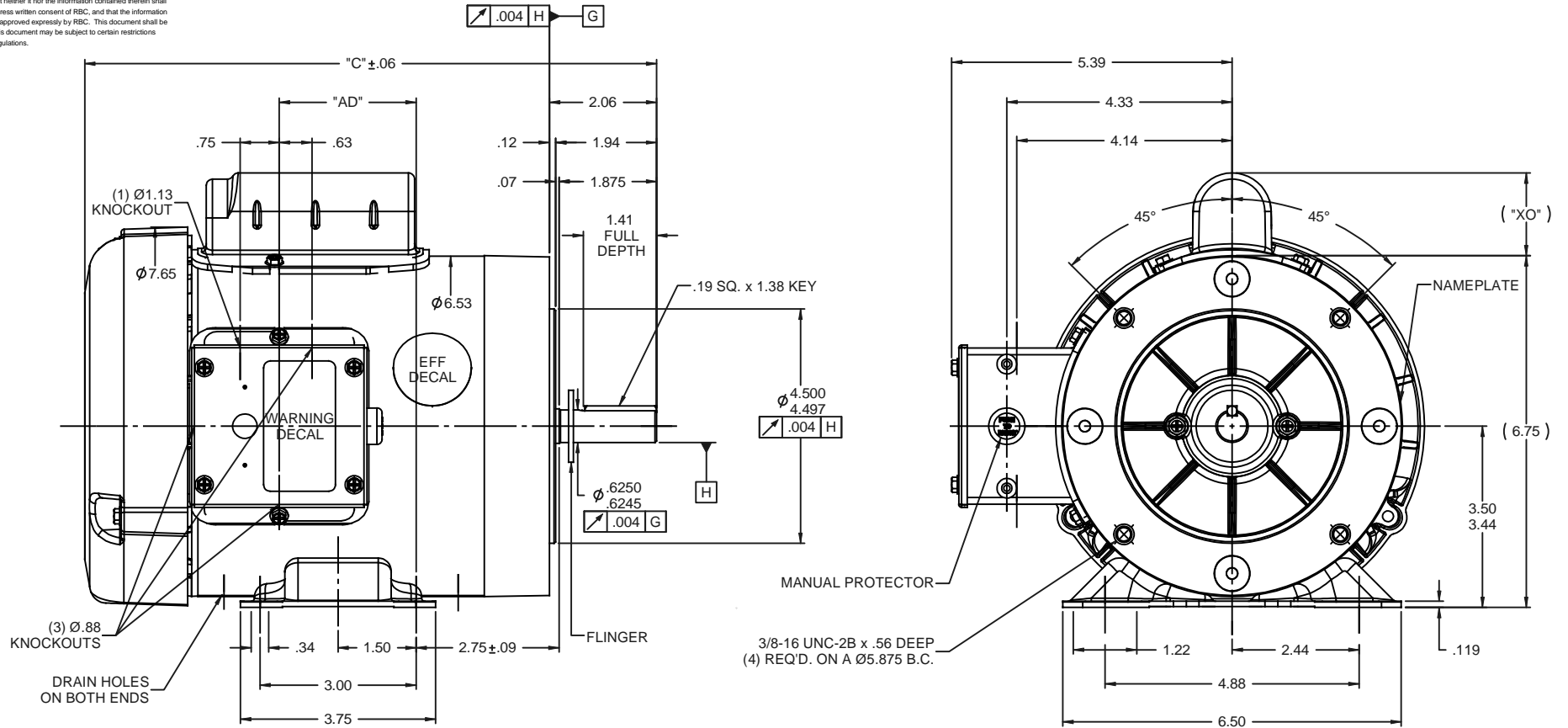
### Nameplate Specifications

Output HP	<b>1 Hp</b>	Output KW	<b>0.75 kW</b>
Frequency	<b>60 Hz</b>	Voltage	<b>115/208-230 V</b>
Current	<b>14.0/7.0 A</b>	Speed	<b>1725 rpm</b>
Service Factor	<b>1.15</b>	Phase	<b>1</b>
Efficiency	<b>74 %</b>	Duty	<b>Continuous</b>
Insulation Class	<b>F</b>	Design Code	<b>N</b>
KVA Code	<b>K</b>	Frame	<b>56C</b>
Enclosure	<b>Totally Enclosed Fan Cooled</b>	Overload Protector	<b>Manual</b>
Ambient Temperature	<b>40 °C</b>	Drive End Bearing Size	<b>6203</b>
Opp Drive End Bearing Size	<b>6203</b>	UL	<b>Recognized</b>
CSA	<b>Y</b>	CE	<b>N</b>
IP Code	<b>43</b>		

### Technical Specifications

Electrical Type	<b>Capacitor Start Induction Run</b>	Starting Method	<b>Across The Line</b>
Poles	<b>4</b>	Rotation	<b>Selective Counterclockwise</b>
Mounting	<b>Rigid base</b>	Motor Orientation	<b>HORIZONTAL</b>
Drive End Bearing	<b>BALL</b>	Opp Drive End Bearing	<b>BALL</b>
Frame Material	<b>Rolled Steel</b>	Shaft Type	<b>NEMA 56</b>
Overall Length	<b>11.99 in</b>	Frame Length	<b>6.50 in</b>
Shaft Diameter	<b>0.625 in</b>	Shaft Extension	<b>1.88 in</b>
Assembly/Box Mounting	<b>F1 ONLY</b>		
Outline Drawing	<b>028914-650B</b>	Connection Diagram	<b>005003.03</b>

RBC PROPRIETARY AND CONFIDENTIAL INFORMATION  
 This document is the property of REGAL BELOIT CORPORATION ("RBC") including its subsidiaries and divisions and contains proprietary information of RBC. This document is loaned on the express condition that neither it nor the information contained therein shall be disclosed to others without the express written consent of RBC, and that the information shall be used by the recipient only as approved expressly by RBC. This document shall be returned to RBC upon its request. This document may be subject to certain restrictions under U.S. export control laws and regulations.

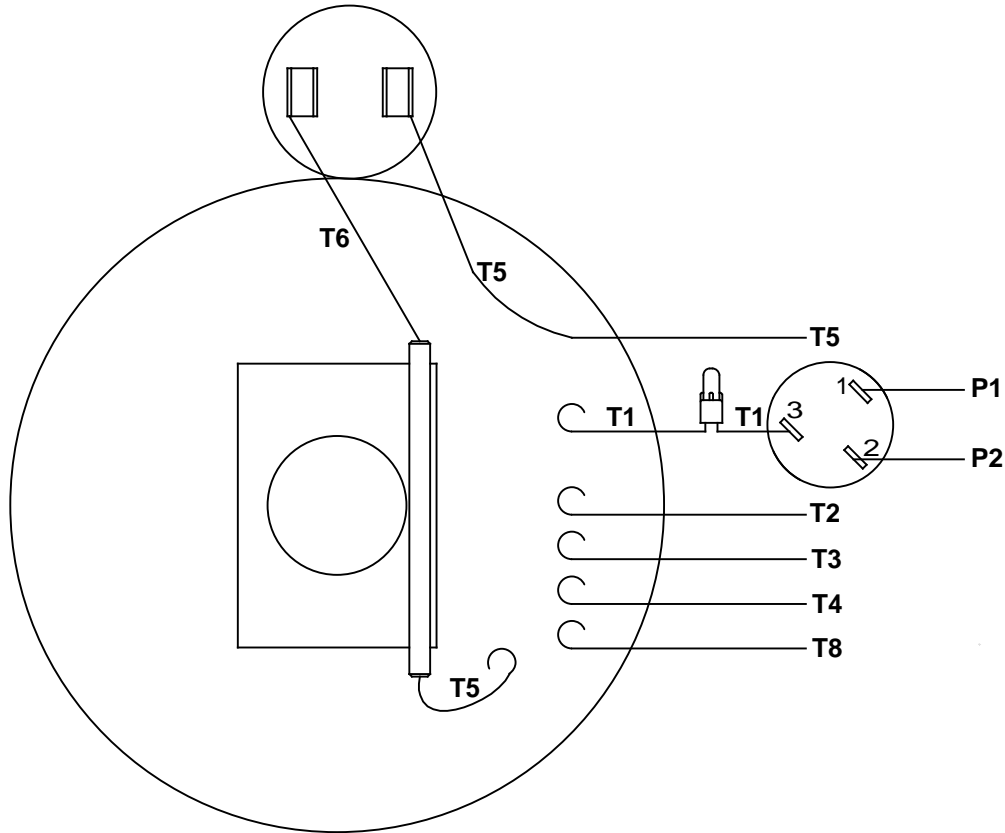


DASH NO.	"C"	"AD"	CAP. DASH		"XO"
550	10.99	2.63			
600	11.49	3.13			
650	11.99	3.63	A	1.61	
700	12.49	4.13	B	2.08	
750	12.99	4.63	C	2.32	
800	13.49	5.13			

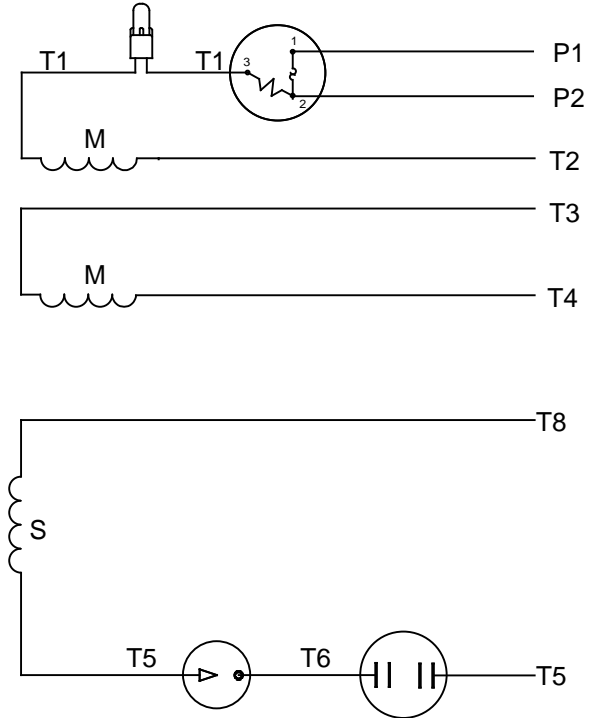
SPECIAL FEATURES:  
 1) GASKETS THROUGHOUT  
 2) MANUAL PROTECTOR  
 3) FLINGER ON SHAFT

REVISION		BY & DATE	CHK	ANG	±1/2"	FINISH	ELECTRIC MOTORS GEARMOTORS AND DRIVES		DRAWN	GRB	12/05/08	
THIRD ANGLE PROJECTION			RFP	12/05/08		PREV	LEESON		CHK	DJ	12/05/08	
							TITLE		APPR	DJ	12/05/08	
							OUTLINE - 56C FRAME		SCALE			1:2
							TEFC - RIGID "C" FACE		REF			028578
							MATL FARM DUTY		FMF			116486.00
									PAGE			1 OF 1
									SIZE	DRAWING NO		REV
							NETWORK FILE NAME		B	028914		

# VIEW FROM OUTSIDE OF MOTOR AT SWITCH END



# LINE LEADS



RBC PROPRIETARY AND CONFIDENTIAL INFORMATION  
 This document is the property of REGAL BELOIT CORPORATION ("RBC") including its subsidiaries and divisions and contains proprietary information of RBC. This document is loaned on the express condition that neither it nor the information contained therein shall be disclosed to others without the express written consent of RBC, and that the information shall be used by the recipient only as approved expressly by RBC. This document shall be returned to RBC upon its request. This document may be subject to certain restrictions under U.S. export control laws and regulations.

	ROTATION FACING LEAD END	L1	L2	JOIN	INSULATE SEPARATELY
HIGH VOLT	C.C.W.	P1	T4 T5	T2,T3 T8	P2
	C.W.	P1	T4 T8	T2,T3 T5	P2
LOW VOLT	C.C.W.	P1	T2,T4 T5	P2,T3 T8	---
	C.W.	P1	T2,T4 T8	P2,T3 T5	---

		TOLERANCES UNLESS SPECIFIED		LEESON	ELECTRIC MOTORS GEARMOTORS AND DRIVES	DRAWN WLV 08/20/79	
		DEC	INCHES			CHK	ADN 08/27/76
		.X	±.1			APPR	WRK 08/27/76
		.XX	±.01	TITLE EXTERNAL WIRING DIAGRAM TYPE "C" W/PROTECTOR		SCALE 1:1	
06	REDRAWN IN SOLIDWORKS	VJB	7/22/2011	.XXX	±.005	REF	
05	REDRAWN ON CAD	DBT	05/27/97	.XXXX	±.0005	FMF	
NO	REVISION	BY & DATE	CHK	ANG	±1/2°	FINISH	PAGE OF
THIRD ANGLE PROJECTION				RFP	PREV	SIZE	DRAWING NO
				NETWORK FILE NAME	00500303	A	005003-03
							REV
							06



**LEESON ELECTRIC CORPORATION**  
 TYPICAL PERFORMANCE CURVE for AC MOTOR

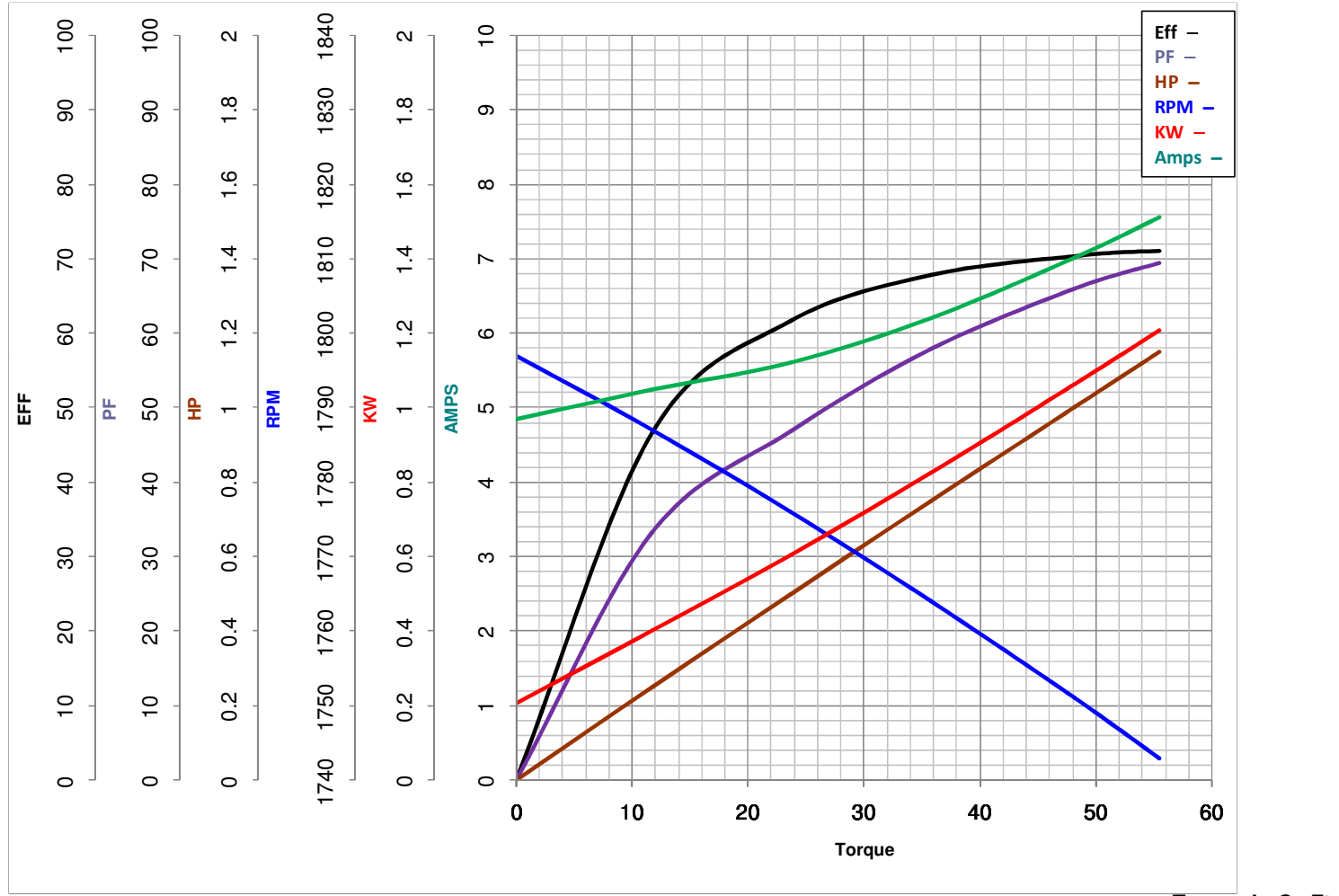
Curve at 230 Volts      HP 1.00      PHASE 1  
60 HZ  
1 HP      VOLTS 115/208-230

Model No 116488.00

Catalog No 116488.00

HZ 60

RPM 1725



FL TORQUE	<u>48.16</u> Oz.Ft	FL AMPS	<u>14.7</u>
BD TORQUE	<u>132.6</u> Oz.Ft	PU TORQUE	<u>117.6</u> Oz.Ft
LR TORQUE	<u>141.8</u> Oz.Ft	LR AMPS	<u>37.3</u>
WINDING	C634259-3	Date	3/14/2018