

PRODUCT INFORMATION PACKET



Model No: M6K17FB18J

Catalog No: 111330.00

..1 1/2HP..1725RPM.56H.TEFC.115/208-230V.1PH.60HZ.CONT.40C.1SF.RIGID.P6K17FB18H.....AG -
GRAIN STIRRING.MANUAL.....

Grain Stirring



Regal and Leeson are trademarks of Regal Beloit Corporation or one of its affiliated companies.

©2018 Regal Beloit Corporation, All Rights Reserved. MC017097E



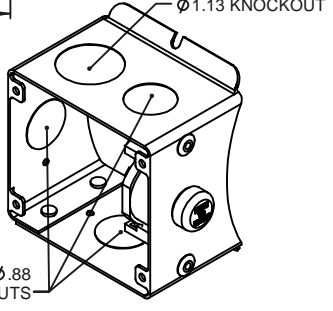
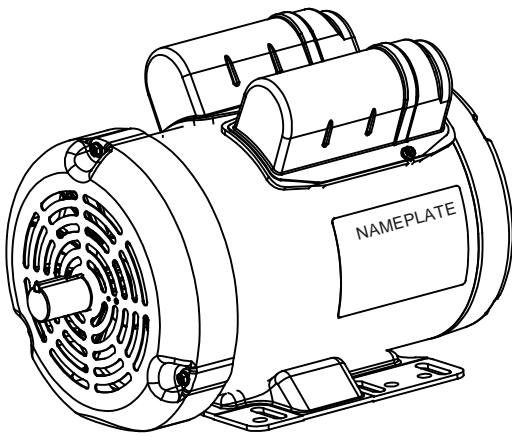
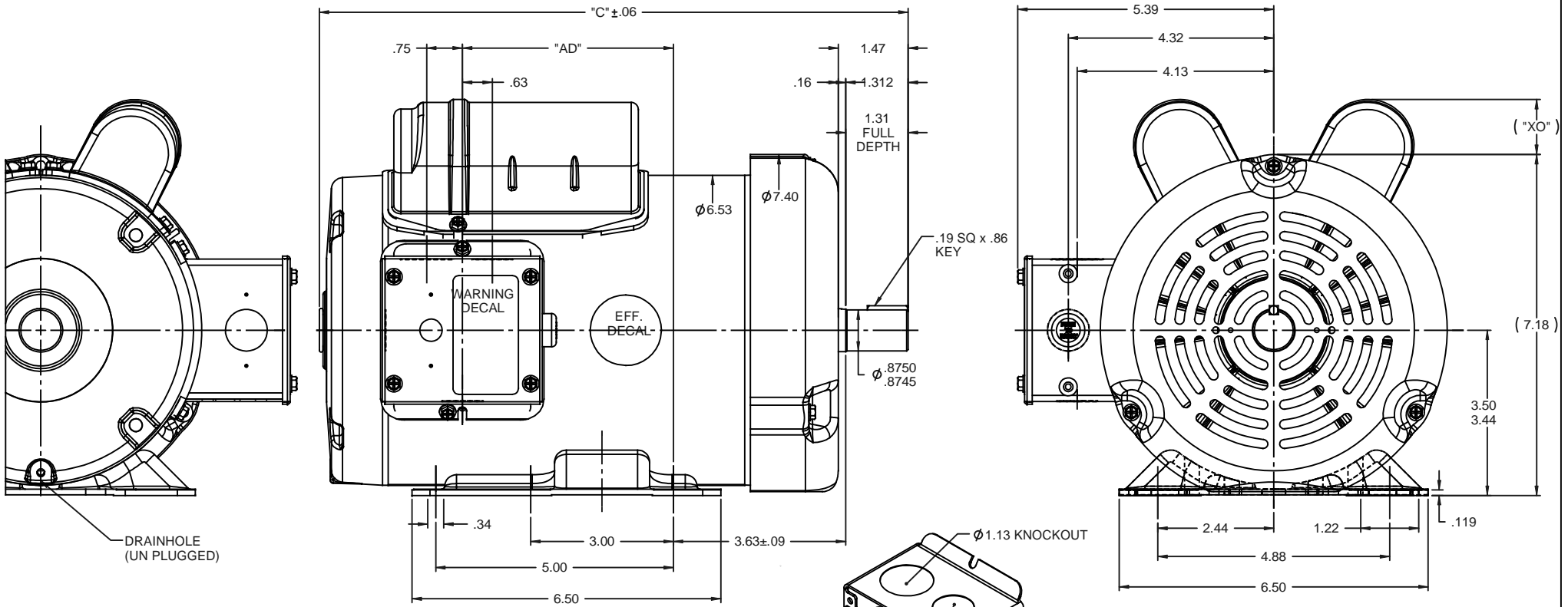


Nameplate Specifications

Output HP	1.50 Hp	Output KW	1.1 kW
Frequency	60 Hz	Voltage	115/208-230 V
Current	17.2/8.8-8.6 A	Speed	1725 rpm
Service Factor	1	Phase	1
Efficiency	79 %	Duty	Continuous
Insulation Class	B	Design Code	L
KVA Code	J	Frame	56HZ
Enclosure	Totally Enclosed Fan Cooled	Overload Protector	Manual
Ambient Temperature	40 °C	Drive End Bearing Size	6205
Opp Drive End Bearing Size	6203	UL	Recognized
CSA	Y	CE	N
IP Code	43		

Technical Specifications

Electrical Type	Capacitor Start Capacitor Run	Starting Method	Across The Line
Poles	4	Rotation	Selective Counterclockwise
Mounting	Rigid base	Motor Orientation	HORIZONTAL
Drive End Bearing	BALL	Opp Drive End Bearing	BALL
Frame Material	Rolled Steel	Shaft Type	Single Special Extension
Overall Length	12.39 in	Frame Length	7.50 in
Shaft Diameter	0.875 in	Shaft Extension	1.31 in
Assembly/Box Mounting	F1 ONLY		
Outline Drawing	028788-750B	Connection Diagram	005053.02

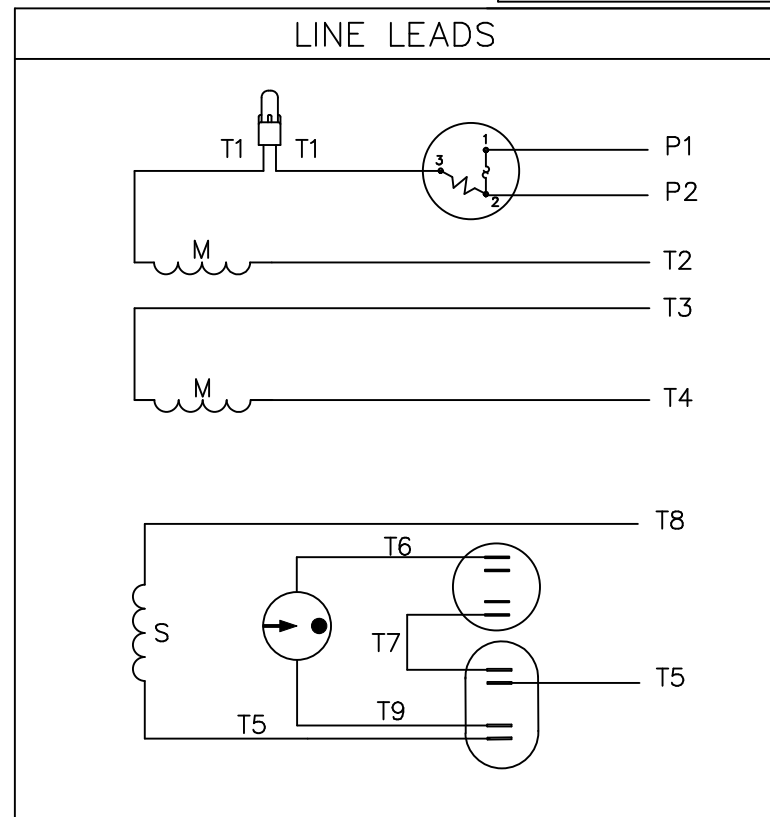
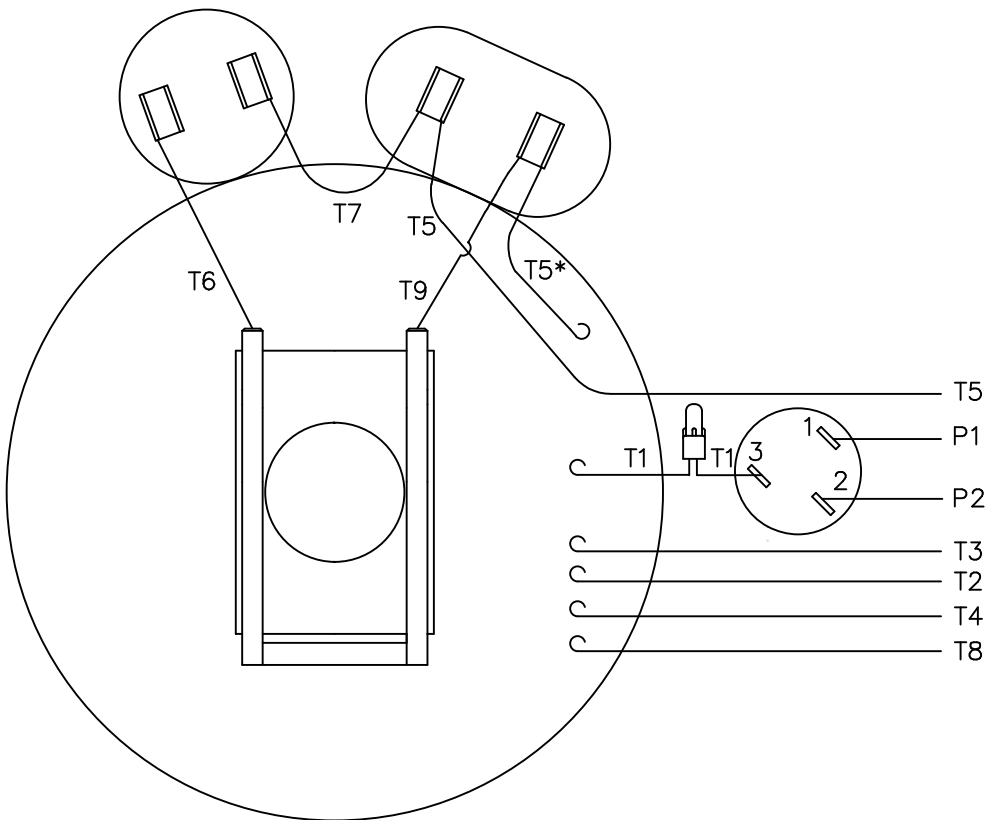


DASH NO.	"C"	"AD"	CAP DASH	"XO"
700	11.89	3.94	A	0.71
750	12.39	4.44	B	1.16
800	12.89	4.94	C	1.38
850	13.39	5.44		

NOTE:
 1) DRAIN HOLE IN LEAD END ENDBELL
 2) GASKETS THROUGHOUT

TOLERANCES UNLESS SPECIFIED		LEESON ELECTRIC MOTORS GEARMOTORS AND DRIVES		DRAWN JJK 08/28/07		
DEC	INCHES	CHK	ANG	FINISH	REV	
x	±.1				APP	
.xx	±.03				SCALE 1:2	
.xxx	±.005	VS	12/12/08	TITLE OUTLINE - 56H FRAME	REF OL111330.00	
.xxxx	±.0005	JJK	09/06/07	TEFC - RIGID	FMF 111330.00	
REVISION		BY & DATE	CHK	ANG	±1/2°	PAGE OF
THIRD ANGLE PROJECTION			RFP	PREV		SIZE DRAWING NO
			NETWORK FILE NAME	028788		B 028788
						REV 02

VIEW FROM OUTSIDE OF MOTOR AT SWITCH END.



	ROTATION FACING LEAD END	L1	L2	JOIN	INSULATE SEPARATELY
HIGH VOLT	C.C.W.	P1	T4 T5	T2,T3 T8	P2
	C.W.	P1	T4 T8	T2,T3 T5	P2
LOW VOLT	C.C.W.	P1	T2,T4 T5	P2,T3 T8	-----
	C.W.	P1	T2,T4 T8	P2,T3 T5	-----

* THIS LEAD MAY BE WHITE

		TOLERANCES UNLESS SPECIFIED	
		DEC.	INCHES
		.X	±.1
		.XX	±.01
04	ADDED "*" TO T5	RLW 7/22/02	.XXX ±.005
03	REDRAWN ON CAD	DBT 05/27/97	.XXXX ±.0005
NO.	REVISION	BY & DATE	CHK ANG ±1/2"

REGAL-BELOIT Motor Technologies Group

REGAL-BELOIT Motor Technologies Group

EXTERNAL WIRING DIAGRAM TYPE "K" W/PROTECTOR

DECAL 004011

FINISH	CAD FILE	00505302	SIZE	DRAWING NO.	REV.
RFP	DIST		A	005053-02	04

DRAWN ADH 06/16/76
CHK WRK 06/30/76
APPD
SCALE 1=1
REF
FMF 6K17FB8A
PREV