

PRODUCT INFORMATION PACKET



Model No: M6K17FB4M

Catalog No: 110090.00

..2HP..1725RPM.56H.TEFC./V.1PH.60HZ.CONT.40C.1.15SF.RIGID.M6K17FB4M.....AG - FARM
DUTY/GENERAL PURPOSE.MANUAL.....

Agricultural



Regal and Leeson are trademarks of Regal Beloit Corporation or one of its affiliated companies.

©2018 Regal Beloit Corporation, All Rights Reserved. MC017097E



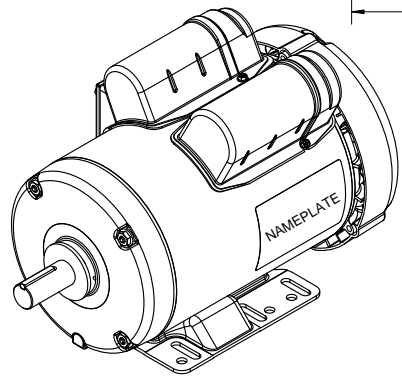
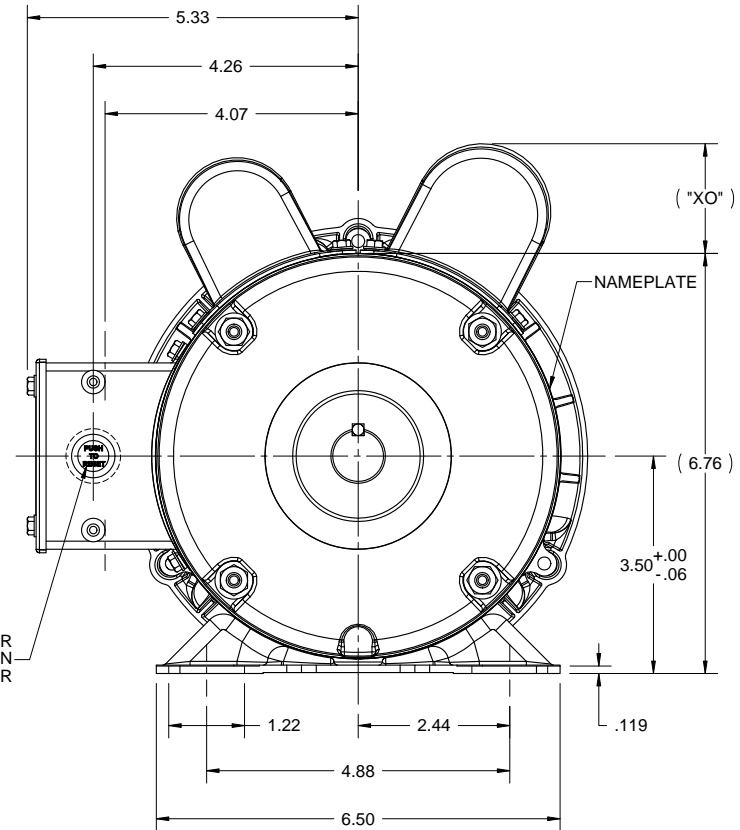
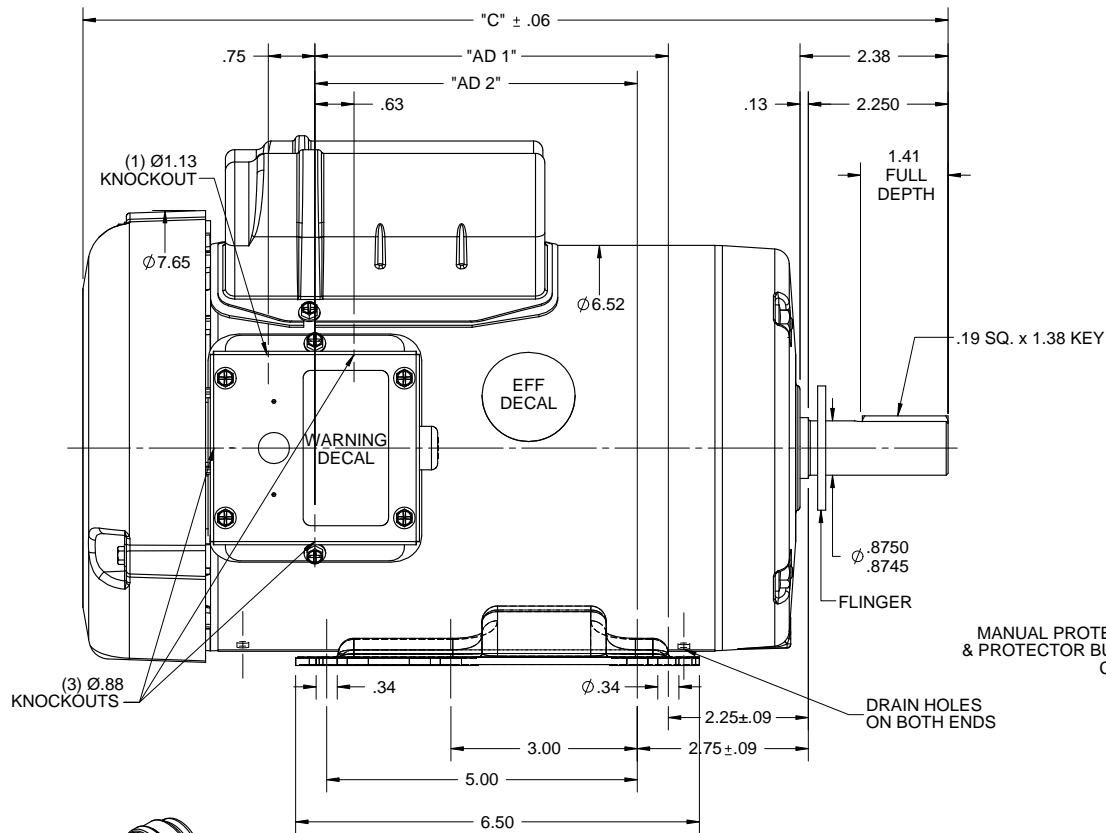


Nameplate Specifications

Output HP	2 Hp	Output KW	1.5 kW
Frequency	60 Hz	Voltage	230 V
Current	9.2 A	Speed	1725 rpm
Service Factor	1.15	Phase	1
Efficiency	82 %	Duty	Continuous
Insulation Class	F	Design Code	L
KVA Code	H	Frame	56HZ
Enclosure	Totally Enclosed Fan Cooled	Overload Protector	Manual
Ambient Temperature	40 °C	Drive End Bearing Size	6205
Opp Drive End Bearing Size	6203	UL	Recognized
CSA	Y	CE	N
IP Code	54		

Technical Specifications

Electrical Type	Capacitor Start Capacitor Run	Starting Method	Across The Line
Poles	4	Rotation	Selective Counterclockwise
Mounting	Rigid base	Motor Orientation	HORIZONTAL
Drive End Bearing	BALL	Opp Drive End Bearing	BALL
Frame Material	Rolled Steel	Shaft Type	Single Special Extension
Overall Length	13.93 in	Frame Length	8.00 in
Shaft Diameter	0.875 in	Shaft Extension	2.25 in
Assembly/Box Mounting	F1 ONLY		
Outline Drawing	028769-800C	Connection Diagram	005056.03



FARM DUTY MOTOR
 NOTES:
 1) FLINGER ON SHAFT
 2) GASKETS THROUGHOUT

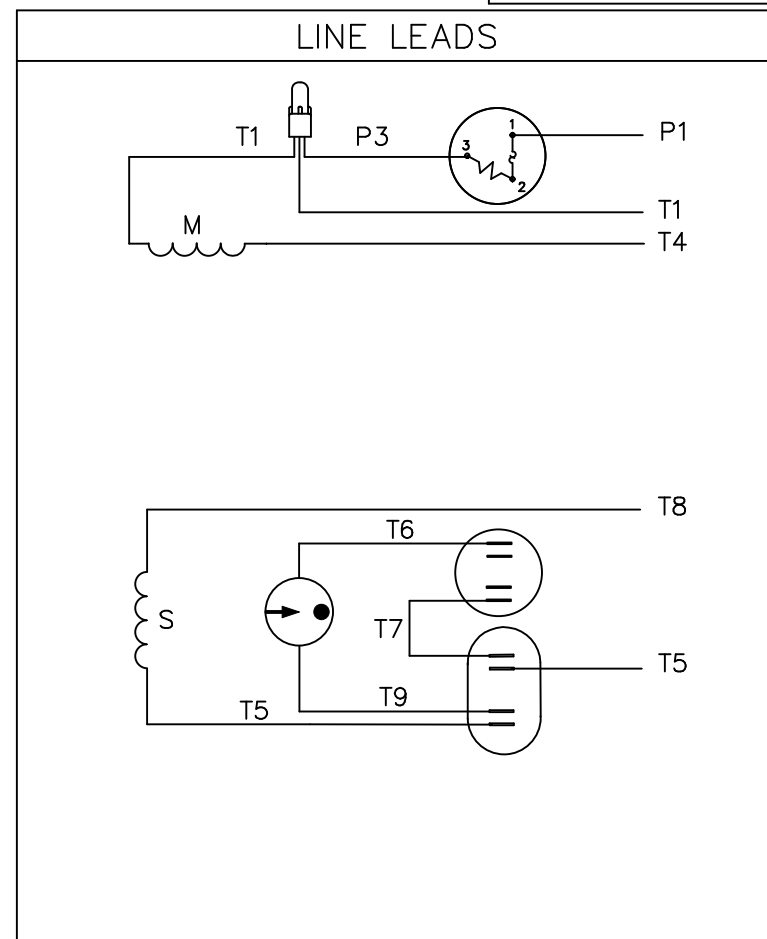
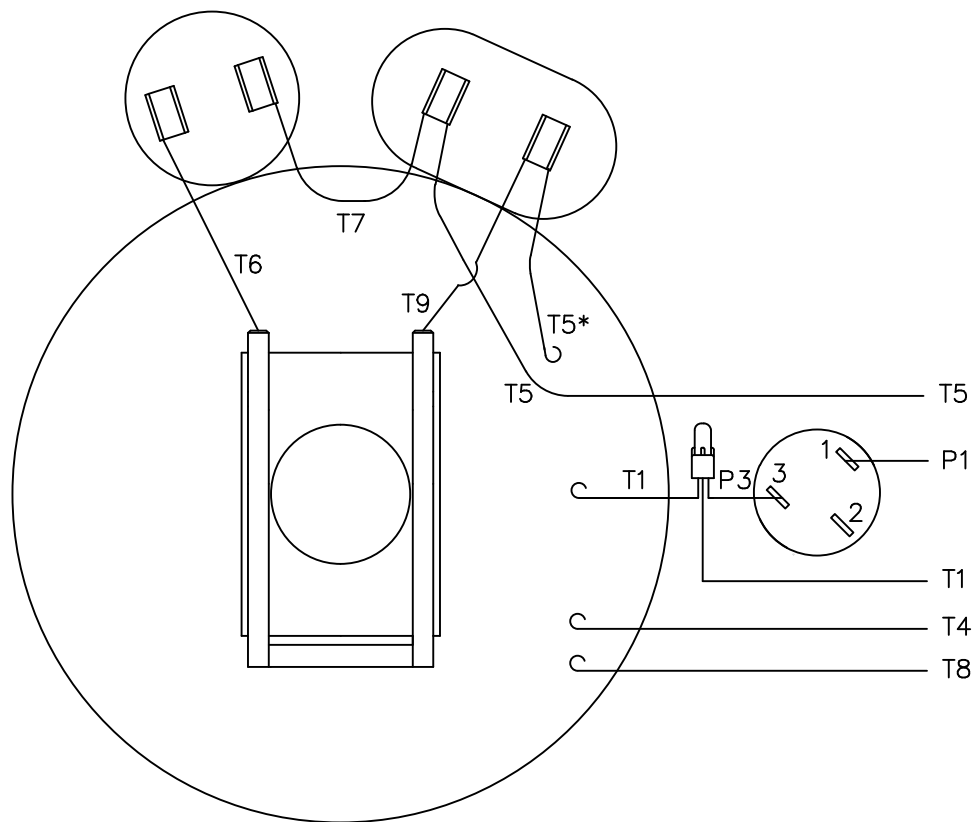
DASH NO.	"C"	"AD 1"	"AD 2"	CAP DASH	"XO"
700	12.93	4.69	4.19	A	1.15
750	13.43	5.19	4.69	B	1.60
800	13.93	5.69	5.19	C	1.82
850	14.43	6.19	5.69		

DRAWING REVISION D	REVISION BY MVG	DATE 04/07/2017	TOLERANCES UNLESS OTHERWISE SPECIFIED: DEC. INCH mm ANGLE -X -0.1 [-2.5] ±7°30' .XX ±0.03 [+0.76] .XXX ±0.005 [+0.127] .XXXX ±0.0005 [+0.0127] REMOVE BURRS & BREAK SHARP EDGES: .003/.015 [.076/.381] X 45° CORNER FILLETS: R.02 [.51] MACHINED SURFACES: 200/5.1 mm SHOWN IN [BRACKETS]	DRAWN BY KMM	REGAL™ Regal Beloit America, Inc.
ECO ECO-0121320	APPROVED BY PGK	DATE 04/07/2017		DATE 07/10/07	
ECO DESCRIPTION ADDED DASH # 850				APPROVED BY	

COPYRIGHT REGAL BELOIT AMERICA, INC. ALL RIGHTS RESERVED.
 PROPRIETARY AND CONFIDENTIAL INFORMATION - THIS DOCUMENT IS THE PROPERTY OF
 REGAL BELOIT AMERICA, INC. (OWNER) AND CONTAINS OWNER'S PROPRIETARY
 INFORMATION. ANY PERSON, CORPORATION OR OTHER FIRM RECEIVING IT IS DEEMED,
 BY RECEIVING IT, TO AGREE THAT IT, AND/OR ANY PART OF IT, SHALL NOT BE DISCLOSED
 TO ANY PERSON, CORPORATION OR OTHER ENTITY, DUPLICATED, AND/OR USED, EXCEPT
 AS EXPRESSLY APPROVED IN WRITING IN ADVANCE BY OWNER. THIS DOCUMENT SHALL
 BE RETURNED TO OWNER UPON REQUEST. IT MAY BE SUBJECT TO CERTAIN
 RESTRICTIONS UNDER APPLICABLE EXPORT CONTROL LAWS AND REGULATIONS.


DESCRIPTION OUTLINE 56HZ/140T FRAME, TEFC - RIGID	MATERIAL	PROCESS/FINISH
REFERENCE	SIZE B	DRAWING NUMBER 028769
THIRD ANGLE PROJECTION		SHEET 1 OF 1

VIEW FROM OUTSIDE OF MOTOR AT SWITCH END.



ROTATION FACING LEAD END	L1	L2	JOIN
C.C.W.	P1	T4, T5	T1, T8
C.W.	P1	T4, T8	T1, T5

* THIS LEAD MAY BE WHITE

		TOLERANCES UNLESS SPECIFIED		 ELECTRIC MOTORS GEARMOTORS AND DRIVES	DRAWN WLW 08/30/76 CHK WRK 09/24/76 APPD			
		DEC.	INCHES		SCALE 1=1			
		.X	±.1		REF			
08	ALTERNATE T5 LEAD MARKING WAS RED	RLW 8/6/02	.XX	±.01	TITLE			
07	ADDED ALTERNATE T5 LEAD MARKING	RLW 5/31/02	KH	.XXX	±.005	EXTERNAL WIRING DIAGRAM TYPE "K" W/ PROTECTOR		
06	REDRAWN TO CAD	DBT 5/31/02	.XXXX	±.0005	MAT'L.	DECAL - 004015		
NO.	REVISION	BY & DATE	CHK	ANG	±1/2'	FINISH		
THIS DRAWING IN DESIGN AND DETAIL IS OUR PROPERTY AND MUST NOT BE USED EXCEPT IN CONNECTION WITH OUR WORK ALL RIGHTS OF DESIGN AND INVENTION ARE RESERVED THIS IS AN ELECTRONICALLY GENERATED DOCUMENT - DO NOT SCALE THIS PRINT			RFP	CAD FILE	00505603	SIZE	DRAWING NO.	REV.
			DIST	BRF-NLV		A	005056-03	08

