

# MYERS® MDC33/MDC50

The Myers® MDC series cast iron sump pumps are designed to operate in a variety of installations. A unique combination of corrosion-resistant materials make these pumps a great choice for the extreme conditions. Pump intake screen, impeller, volute base, switch, and power cord are serviceable. Available in 1/3 and 1/2 HP models.

## APPLICATIONS

Basement sumps, dewatering, light effluent, water transfer

## SPECIFICATIONS

**Capacities** – Up to 62 GPM (234 LPM)  
**Shut-off Head** – Up to 32' (9.75 m)  
**Operation** – Tethered Models  
 On: 12-1/2" (318 mm); Off: 3-1/2" (89 mm)  
 Vertical Models  
 On: 6-1/2" (165 mm); Off: 2" (51 mm)  
**Solids Handling** – 1/2" (12.7 mm)  
**Liquids Handling** – Drainage effluent  
**Continuous Liquid Temperature** – 130°F (54°C)  
**Motor/Electrical Data** – 1/3 HP, 9.8A; 1/2 HP, 12A; shaded pole with thermal overload protection, 115V, 1Ø, 60Hz, 1550 RPM  
**Acceptable pH Range** – 6-9  
**Shaft Seal** – Carbon and ceramic  
**Housing** – Heavy cast iron  
**Power Cord** – 10' (3 m) or 20' (6 m), 16/3, SJTW, SJTW-A  
**Discharge, NPT** – 1-1/2"  
**Min. Sump Diameter** –  
 Teathered: 14" (356 mm)  
 Vertical: 10" (254 mm)



## FEATURES

### Solid and Reliable

High-endurance, oil-cooled motor provides continuous bearing lubrication and maximizes heat dissipation

### High-flow Discharge

1-1/2" (38 mm) NPT discharge

### Eliminates Failures

Shaded pole motor eliminates failure-prone switches and relays

### Motor Protection

Long-life carbon/ceramic seal protects motor against water leakage

### Thermal Overload

Heat sensor overload protection with automatic reset when motor cools to a safe operating temperature

### Extended Service

Lubricated ball bearings and shaft seal for longer service life

### No Drilling Required

Anti-airlock hole in base reduces added labor

### Piggyback Convenience

Vertical and tethered switch models offer a piggyback plug for automatic or manual operation

## ORDERING INFORMATION

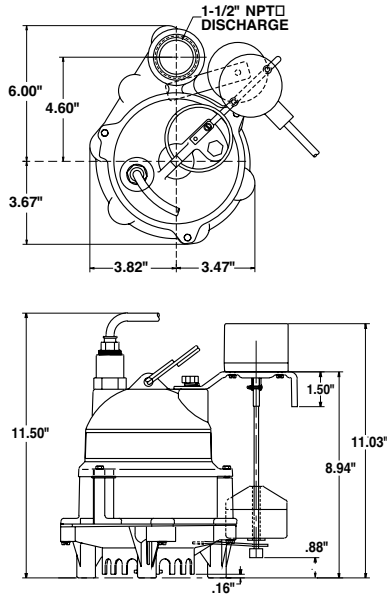
Catalog Number	HP	Volts	Phase/Cycles	Amps	Discharge Size	Switch Type	Cord Length	Approx. Wt. Lbs.
MDC33V1	1/3	115	1/60	9.8	1-1/2"	Vertical Automatic*	10'	24
MDC50P1	1/2	115	1/60	12	1-1/2"	Tethered Automatic*	10'	27
MDC50PC1	1/2	115	1/60	12	1-1/2"	Tethered Automatic*	20'	27
MDC50V1	1/3	115	1/60	9.8	1-1/2"	Vertical Automatic*	10'	27
MDC50VC1	1/3	115	1/60	9.8	1-1/2"	Vertical Automatic*	20'	27

\*Piggyback

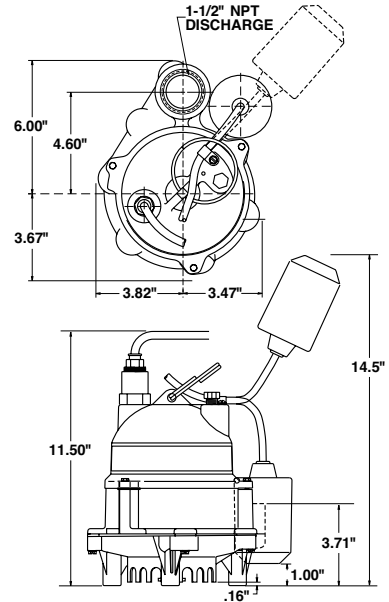
# MYERS® MDC33/MDC50

## DIMENSIONS

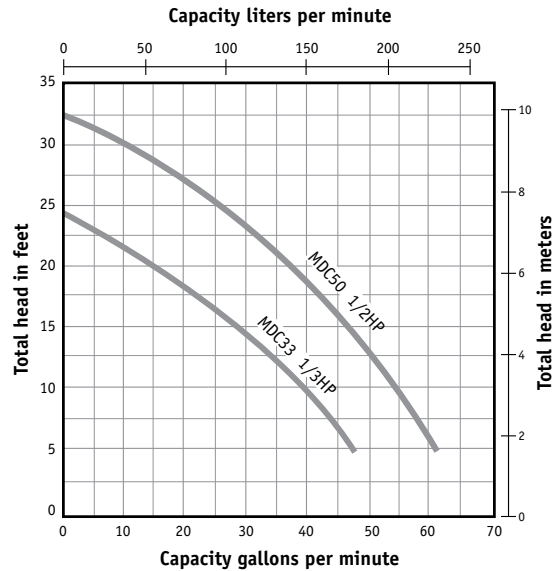
**Vertical Float –**  
Designed to fit 10”  
or larger basins



**Tethered Float –**  
Designed to fit 14”  
or larger basins



## PUMP PERFORMANCE



USA  
293 WRIGHT STREET, DELAVAN, WI 53115 WWW.FEMEYERS.COM  
PH: 888-987-8677 ORDERS FAX: 800-426-9446

CANADA  
269 TRILLIUM DRIVE, KITCHENER, ONTARIO, CANADA N2G 4W5  
PH: 519-606-5484 ORDERS FAX: 800-426-9446

Because we are continuously improving our products and services, Pentair reserves the right to change specifications without prior notice.