

**BALDOR® • RELIANCE** 

**Product Information Packet**

**NM3542**

**.75HP, 1750RPM, 3PH, 60HZ, 56, 3514M, TENV, F1**

| Part Detail |        |             |            |             |        |               |            |
|-------------|--------|-------------|------------|-------------|--------|---------------|------------|
| Revision:   | L      | Status:     | PRD/A      | Change #:   |        | Proprietary:  | No         |
| Type:       | AC     | Elec. Spec: | 35WGP672   | CD Diagram: | CD0005 | Mfg Plant:    |            |
| Mech. Spec: | 35A026 | Layout:     | 35LYA026   | Poles:      | 04     | Created Date: | 02-20-2008 |
| Base:       | RG     | Eff. Date:  | 03-22-2018 | Leads:      | 9#18   |               |            |

| Specs                           |                         |                                |                    |
|---------------------------------|-------------------------|--------------------------------|--------------------|
| Catalog Number:                 | NM3542                  | Insulation Class:              | F                  |
| Enclosure:                      | TENV                    | Inverter Code:                 | Not Inverter       |
| Frame:                          | 56                      | KVA Code:                      | M                  |
| Frame Material:                 | Steel                   | Lifting Lugs:                  | No Lifting Lugs    |
| Output @ Frequency:             | .750 HP @ 60 HZ         | Locked Bearing Indicator:      | No Locked Bearing  |
| Synchronous Speed @ Frequency:  | 1800 RPM @ 60 HZ        | Motor Lead Quantity/Wire Size: | 9 @ 18 AWG         |
| Voltage @ Frequency:            | 460.0 V @ 60 HZ         | Motor Lead Exit:               | Ko Box             |
|                                 | 230.0 V @ 60 HZ         | Motor Lead Termination:        | Flying Leads       |
| XP Class and Group:             | None                    | Motor Type:                    | 3514M              |
| XP Division:                    | Not Applicable          | Mounting Arrangement:          | F1                 |
| Agency Approvals:               | CSA                     | Power Factor:                  | 66                 |
|                                 | UR                      | Product Family:                | General Purpose    |
| Auxillary Box:                  | No Auxillary Box        | Pulley End Bearing Type:       | Ball               |
| Auxillary Box Lead Termination: | None                    | Pulley Face Code:              | Standard           |
| Base Indicator:                 | Rigid                   | Pulley Shaft Indicator:        | Standard           |
| Bearing Grease Type:            | Polyrex EM (-20F +300F) | Rodent Screen:                 | None               |
| Blower:                         | None                    | Shaft Extension Location:      | Pulley End         |
| Current @ Voltage:              | 1.400 A @ 460.0 V       | Shaft Ground Indicator:        | No Shaft Grounding |

|                                       |                           |                                    |                     |
|---------------------------------------|---------------------------|------------------------------------|---------------------|
|                                       | 2.800 A @ 230.0 V         | <b>Shaft Rotation:</b>             | Reversible          |
|                                       | 3.000 A @ 208.0 V         | <b>Shaft Slinger Indicator:</b>    | No Slinger          |
| <b>Design Code:</b>                   | B                         | <b>Speed Code:</b>                 | Single Speed        |
| <b>Drip Cover:</b>                    | No Drip Cover             | <b>Motor Standards:</b>            | NEMA                |
| <b>Duty Rating:</b>                   | CONT                      | <b>Starting Method:</b>            | Direct on line      |
| <b>Electrically Isolated Bearing:</b> | Not Electrically Isolated | <b>Thermal Device - Bearing:</b>   | NONE (OLD)          |
| <b>Feedback Device:</b>               | NO FEEDBACK               | <b>Thermal Device - Winding:</b>   | None                |
| <b>Front Face Code:</b>               | Standard                  | <b>Vibration Sensor Indicator:</b> | No Vibration Sensor |
| <b>Front Shaft Indicator:</b>         | None                      | <b>Winding Thermal 1:</b>          | None                |
| <b>Heater Indicator:</b>              | No Heater                 | <b>Winding Thermal 2:</b>          | None                |

| Nameplate NP1256L |              |  |  |  |  |      |      |                |       |   |
|-------------------|--------------|--|--|--|--|------|------|----------------|-------|---|
| CAT.NO.           | NM3542       |  |  |  |  |      |      |                |       |   |
| SPEC.             | 35A026P672G1 |  |  |  |  |      |      |                |       |   |
| HP                | .75          |  |  |  |  |      |      |                |       |   |
| VOLTS             | 230/460      |  |  |  |  |      |      |                |       |   |
| AMP               | 2.8/1.4      |  |  |  |  |      |      |                |       |   |
| RPM               | 1750         |  |  |  |  |      |      |                |       |   |
| FRAME             | 56           |  |  |  |  | HZ   | 60   |                | PH    | 3 |
| SER.F.            | 1.25         |  |  |  |  | CODE | M    |                | DES   | B |
| NEMA-NOM-EFF      | 78.5         |  |  |  |  | PF   | 66   |                | CLASS | F |
| RATING            | 40C AMB-CONT |  |  |  |  |      |      |                |       |   |
| CC                |              |  |  |  |  |      |      | USABLE AT 208V | 3     |   |
| DE                | 6205         |  |  |  |  | ODE  | 6203 |                |       |   |
| ENCL              | TENV         |  |  |  |  | SN   |      |                |       |   |
|                   | SFA 3/1.5    |  |  |  |  |      |      |                |       |   |

| Parts List  |  |          |
|-------------|--|----------|
| Part Number | Description                              | Quantity |
| SA168980    | SA 35A026P672G1                          | 1.000 EA |
| RA157269    | RA 35A026P672G1                          | 1.000 EA |
| NS2512A01   | INSULATOR, CONDUIT BOX X                 | 1.000 EA |
| 35CB3007    | 35 CB CASTING W/.88 DIA. LEAD HOLE       | 1.000 EA |
| 36GS1000SP  | GASKET-CONDUIT BOX, .06 THICK #SV-330 LE | 1.000 EA |
| 51XB1016A07 | 10-16 X 7/16 HXWSSLD SERTYB              | 2.000 EA |
| 11XW1032G06 | 10-32 X .38, TAPTITE II, HEX WSHR SLTD U | 1.000 EA |
| 35EP3122F00 | MASTER ODE,203 BRG,#26 DRN               | 1.000 EA |
| HW5100A03   | WAVY WASHER (W1543-017)                  | 1.000 EA |
| 35EP3123A00 | MASTER DE,205 BRG,.998SH,#26 DRN         | 1.000 EA |
| XY1032A02   | 10-32 HEX NUT DIRECTIONAL SERRATION      | 4.000 EA |
| 35CB4521GX  | CONDUIT BOX LID KIT **ORDER INDIV PARTS  | 1.000 EA |
| 51XW0832A07 | 8-32 X .44, TAPTITE II, HEX WSHR SLTD SE | 4.000 EA |
| HW2501D13   | KEY, 3/16 SQ X 1.375                     | 1.000 EA |
| HA7000A04   | KEY RETAINER 0.625 DIA SHAFTS            | 1.000 EA |
| 85XU0407S04 | 4X1/4 U DRIVE PIN STAINLESS              | 2.000 EA |
| MJ1000A02   | GREASE, POLYREX EM EXXON (USe 4824-15A)  | 0.050 LB |
| MG1000G27   | MED CHARCOAL METALLIC GREY 400-0096      | 0.017 GA |
| HA3100A15   | THRUBOLT 10-32 X 8.375                   | 4.000 EA |
| LC0005E01   | CONN.DIA./WARNING LABEL (LC0005/LB1119N) | 1.000 EA |
| NP1256L     | ALUM UL CSA CC INDUSTRIAL MOTOR A60      | 1.000 EA |
| 35PA1066    | PKG GRP, PRINT PK1008A06                 | 1.000 EA |
| MN416A01    | TAG-INSTAL-MAINT no wire (1200/bx) 5/18  | 1.000 EA |
| PE-0000001  | ZRTG PE ASSEMBLY                         | 1.000 EA |

| <b>Parts List (continued)</b> |                    |                 |
|-------------------------------|--------------------|-----------------|
| <b>Part Number</b>            | <b>Description</b> | <b>Quantity</b> |
| FE-0000001                    | ZRTG FE ASSEMBLY   | 1.000 EA        |

| <b>Accessories</b> |                    |                   |
|--------------------|--------------------|-------------------|
| <b>Part Number</b> | <b>Description</b> | <b>Multiplier</b> |
| 35-8762            | C FACE KIT         | A8                |
| 35EP1506A01SP      | D-FLANGE KIT       | A8                |

**AC Induction Motor Performance Data**

Record # 31358 - Typical performance - not guaranteed values

|                               |                    |                        |
|-------------------------------|--------------------|------------------------|
| <b>Winding:</b> 35WGP672-R002 | <b>Type:</b> 3514M | <b>Enclosure:</b> TENV |
|-------------------------------|--------------------|------------------------|

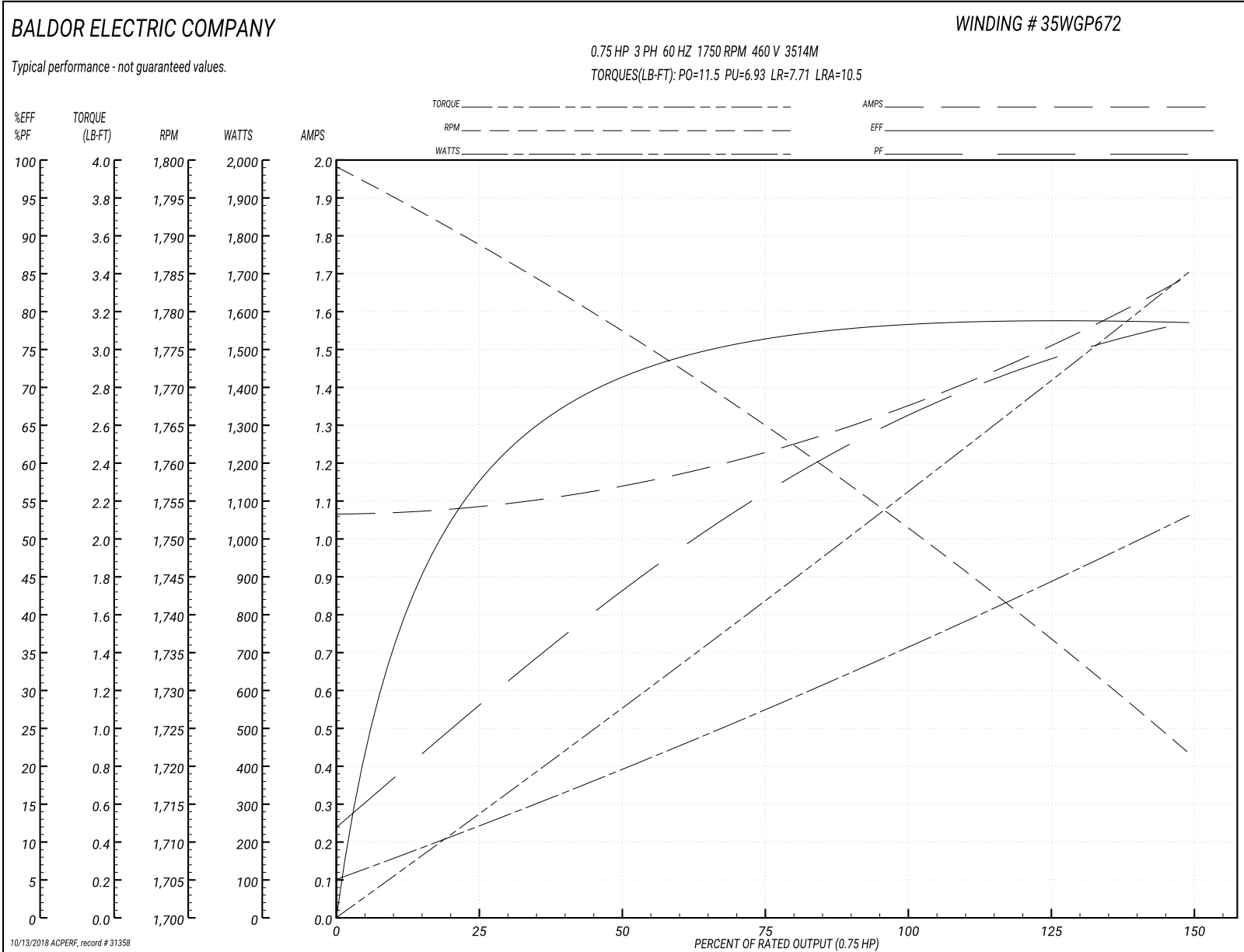
| Nameplate Data        |              |              |    | 460 V, 60 Hz:<br>High Voltage Connection |                |
|-----------------------|--------------|--------------|----|--|----------------|
| Rated Output (HP)     | .75          |              |    | Full Load Torque                         | 2.26 LB-FT     |
| Volts                 | 230/460      |              |    | Start Configuration                      | direct on line |
| Full Load Amps        | 2.8/1.4      |              |    | Breakdown Torque                         | 11.5 LB-FT     |
| R.P.M.                | 1750         |              |    | Pull-up Torque                           | 6.93 LB-FT     |
| Hz                    | 60           | Phase        | 3  | Locked-rotor Torque                      | 7.71 LB-FT     |
| NEMA Design Code      | B            | KVA Code     | M  | Starting Current                         | 10.5 A         |
| Service Factor (S.F.) | 1.25         |              |    | No-load Current                          | 1.07 A         |
| NEMA Nom. Eff.        | 78.5         | Power Factor | 66 | Line-line Res. @ 25°C                    | 21.9 Ω         |
| Rating - Duty         | 40C AMB-CONT |              |    | Temp. Rise @ Rated Load                  |                |
| S.F. Amps             | 3/1.5        |              |    | Temp. Rise @ S.F. Load                   |                |

Load Characteristics 460 V, 60 Hz, 0.75 HP

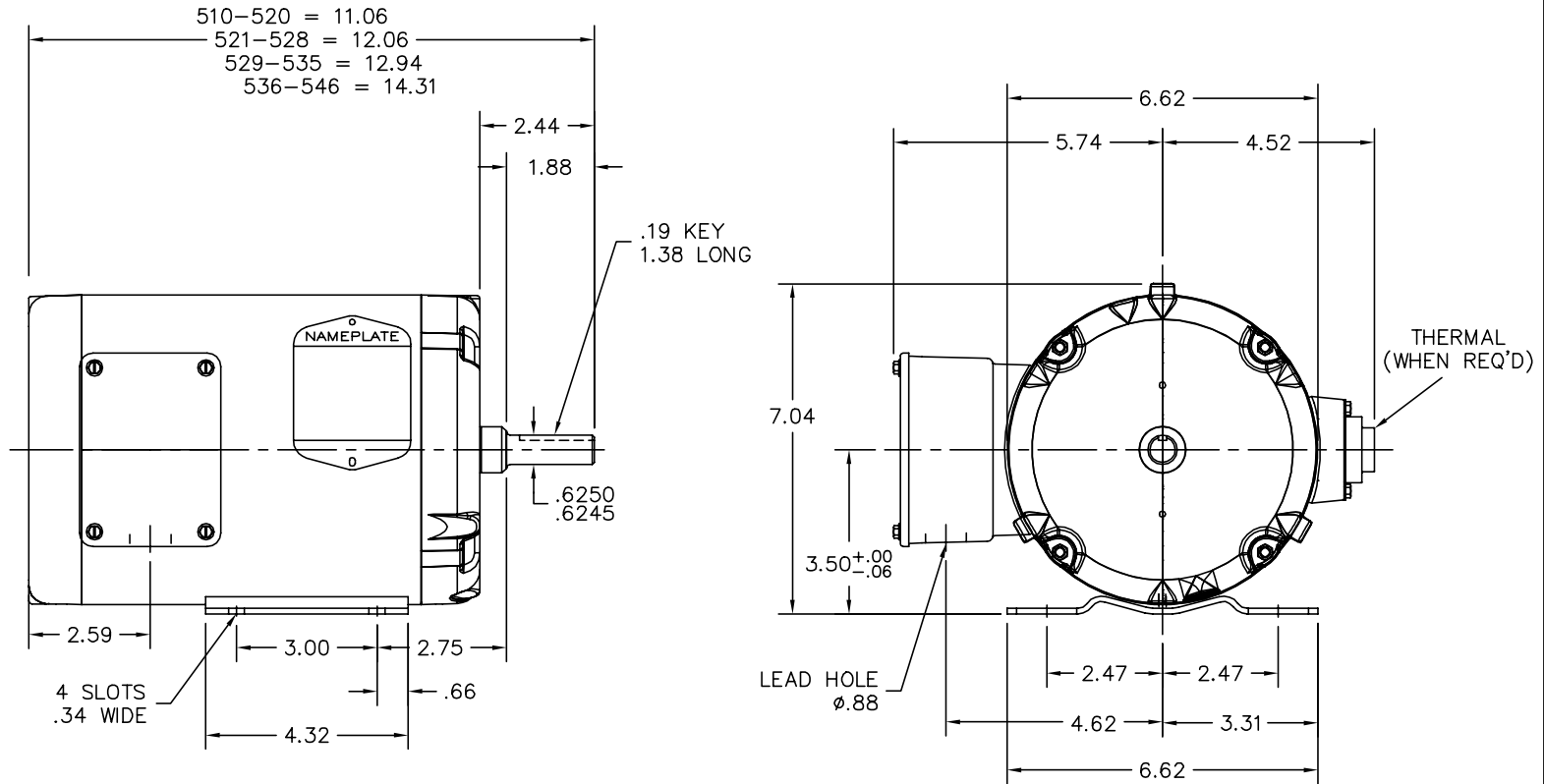
| % of Rated Load | 25   | 50   | 75   | 100  | 125  | 150  | S.F. |
|-----------------|------|------|------|------|------|------|------|
| Power Factor    | 28   | 44   | 56   | 66   | 74   | 79   | 74   |
| Efficiency      | 57.7 | 71.7 | 76.6 | 78.6 | 79   | 78.6 | 79   |
| Speed           | 1789 | 1777 | 1766 | 1751 | 1736 | 1722 | 1736 |
| Line amperes    | 1.08 | 1.14 | 1.22 | 1.36 | 1.52 | 1.69 | 1.52 |



Performance Graph at 460V, 60Hz, 0.75HP Typical performance - Not guaranteed values



35LYA026



CUSTOMER IS RESPONSIBLE FOR DETERMINING THAT BALDOR'S PRODUCT WILL PERFORM SUITABLY IN THE INTENDED APPLICATION.

|                              |                              |                   |
|------------------------------|------------------------------|-------------------|
| REV. DESC: REPLACE ENDPLATES |                              |                   |
| REV. LTR: N                  | VERSION: 05                  | TDR: 000001064040 |
| FILE: \AAA\00002\477         | REVISED: 01:41:59 03/20/2018 | BY: FPJFG0        |
| MTL: -                       | © □                          |                   |

**BALDOR - RELIANCE**

STD HORZ 56 TENV 35M

SH 1 of 1

35LYA026

CD0005

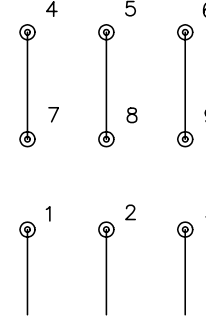


LOW VOLTAGE  
(2Y)



LINE

HIGH VOLTAGE  
(1Y)



LINE

NOTES:

1. INTERCHANGE ANY TWO LINE LEADS TO REVERSE ROTATION.
2. OPTIONAL THERMOSTATS ARE PROVIDED WHEN SPECIFIED.
3. ACTUAL NUMBER OF INTERNAL PARALLEL CIRCUITS MAY BE A MULTIPLE OF THOSE SHOWN ABOVE.
4. LEAD COLORS ARE OPTIONAL. LEADS MUST ALWAYS BE NUMBERED AS SHOWN.

|   |         |                         |              |
|---|---------|-------------------------|--------------|
| REV. DESC: REVISE TO SHOW OPTIONAL COLORS |         |                         |              |
| REV. LTR: E                               | BY: JLP | REVISED: 01/19/99 10:15 | TDR: 0171435 |
| 900000                                    |         | FILE: AAA00005140       | MDL: -       |
|   |         | MTL: -                  |              |

**BALDOR ELECTRIC Co.**

3PH, DV, 9 LEADS

CD0005