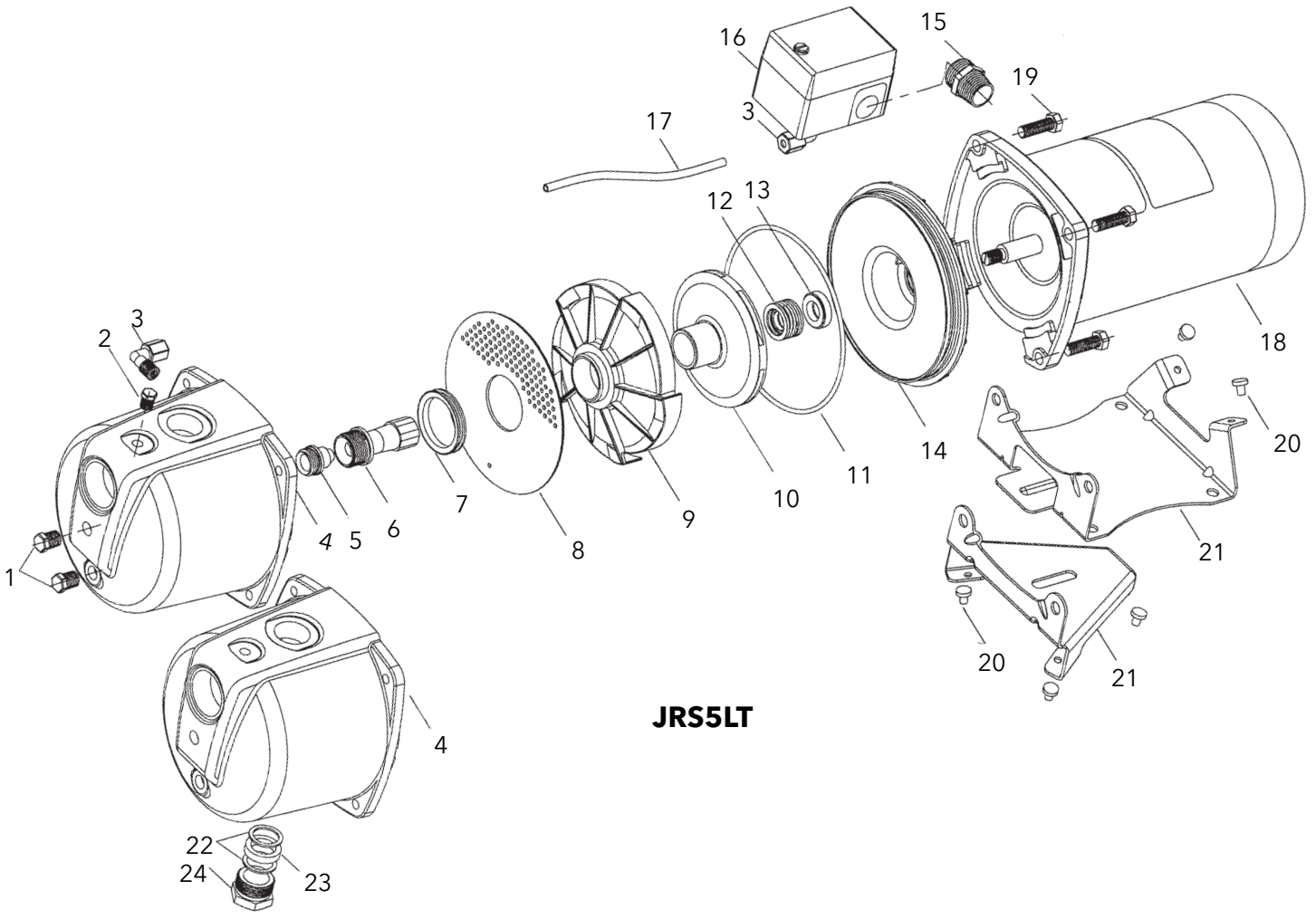


Item No.	Part Description	Material	Repair Part No.				
			JRS5	JRS5H	JRS5LT	JRS7	JRS10
1	Drain plug ¼" NPT	Steel	6K2				
2	Vent plug ⅛" NPT	Steel	6K1				
3	Elbow connector - tubing	Polypropylene	6K94				
4	Casing	Cast iron	1K342		1K382	1K342	
5	Nozzle	Delrin®	AN018	AN020	AN018		
6	Venturi tube	Glass filled engineered composite	AD3330	AD3325	AD3330	AD3336	AD3339
7	Separator plate seal ring	EPDM	5K556				
8	Separator plate	Polypropylene	5K253				
9	Diffuser (guidevane)	Glass filled engineered composite	3K64			3K65	
10	Impeller	Glass filled engineered composite	2K900			2K901	2K902
11	O-ring	EPDM	5K392				
12	Mechanical seal - Rotary	Teepelite	10K258				
13	Mechanical seal - Stationary	Ceramic					
14	Seal housing	Amodel®	1K366				
15	Connector with locknut	Steel	6K24				
16	Pressure switch	NA	AS4				
17	Tubing - pressure switch	Polypropylene	6K92			6K101	6K108
18	Motor	Stainless steel shaft	SFJ04860			SFJ05860	SFJ06860
19	Hex cap screw	Steel	13K80				
20	Grommet - base	BUNA	4K405				
21	Base - JRS5, JRS7, JRS10 (off tank)	Steel	4K399		4K449	4K399	
	Tank base - JRS5LT (on tank model)						
22	Discharge gland washers (pkg 2)	N-8090	-		5K10	-	
23	Discharge gland packing	BUNA	-		5K8	-	
24	Dis. gland nut assembly (includes 22 & 23)	Brass	-		4K12	-	



**JRS5LT**

**Xylem Inc.**  
[www.xylem.com/goulds](http://www.xylem.com/goulds)

Goulds is a registered trademark of Goulds Pumps, Inc. and is used under license.  
 © 2020 Xylem Inc. RJRS R2 May 2020

