

Product information presented here reflects conditions at time of publication. Consult factory regarding discrepancies or inconsistencies.



MAILTO: P.O. BOX 16347 • Louisville, KY 40256-0347
SHIPTO: 3649 Cane Run Road • Louisville, KY 40211-1961
TEL: (502) 778-2731 • 1 (800) 928-PUMP • **FAX:** (502) 774-3624

Visit our web site:
zoellerpumps.com

REPLACEMENT PARTS LIST FOR MODELS:

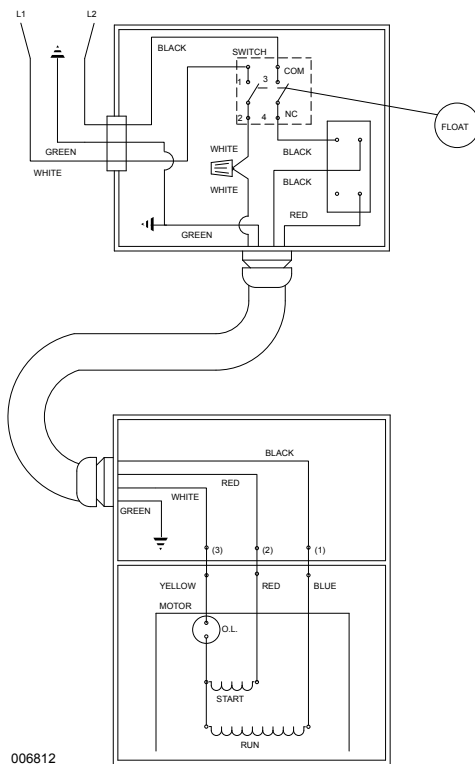
M3098 AUTOMATIC 115V
D3098 AUTOMATIC 230V
N3098 NONAUTOMATIC 115V
E3098 NONAUTOMATIC 230V

Consult factory for all other models.

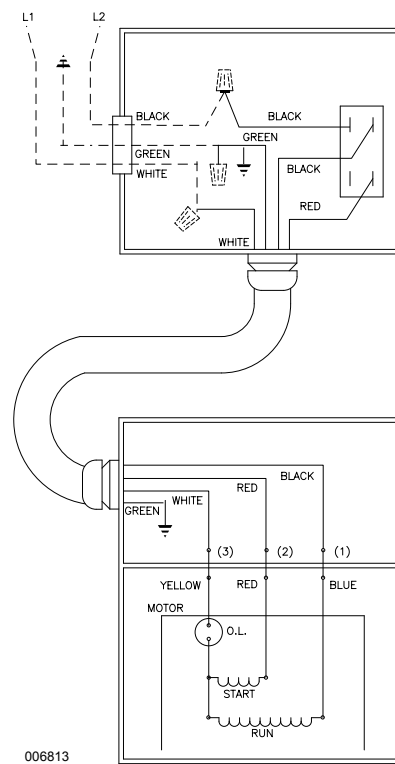
TO ORDER REPLACEMENT PARTS:

PLEASE FURNISH THE FOLLOWING INFORMATION:

- Model number
- Part number of pump
- Part number and description of part



WIRING DIAGRAM FOR MODELS
M3098 and D3098
ALL REVISIONS



WIRING DIAGRAM FOR MODELS
N3098 and E3098
ALL REVISIONS

REPLACEMENT PARTS LIST FOR MODELS "M3098" and "D3098"

See back page for "M3098" and "D3098" illustration.

REF NO.	DESCRIPTION	QTY	NOTES	MODELS:					D3098-A	D3098-B	D3098-C	D3098-D
				M3098-A	M3098-B	M3098-C	M3098-D	M3098-E				
				8/91 thru 9/94	10/94 thru 1/96	2/96 thru 2/01	3/01 thru 8/09	9/09 thru Current	8/91 thru 9/94	10/94 thru 2/01	3/01 thru 8/09	9/09 thru Current
1	• Plug, Test-ED Brass	2		155485	155485	155485	155485	155485	155485	155485	155485	155485
2	Cover & Handle "3098"	1		005344	009602	009602	009602	009602	005344	009602	009602	009602
3	• Seal, Thru Wall Term	3		003402	003402	003402	003402	003402	003402	003402	003402	003402
4	• Gasket, Case/Cover	1		034046	034046	034046	014553	014553	034046	034046	014553	014553
5	Housing, Mtr- & Term Asm "3098"	1		007092	007092	007092	007092	007092	007092	007092	007092	007092
6	Stator W/Screws 1P/ 3098	1	4, 5	007084	007084	010526	010526	010526	007085	007085	007085	007085
7	Rotor Asm 115/230V/1PH "98" EMD"3098"	1	4	007050	007050	010270	010270	010270	007050	007050	007050	007050
8	• Seal, Mtr Hsg	1		034007	034007	034007	014556	014556	034007	034007	014556	014556
9	• Washer, Trst-NYL.875X.504X.050"	1		002140	002140	002140	002140	002140	002140	002140	002140	002140
10	• Oil, Dielectric - (30.5 Oz Can)	1		012133	012133	012133	012133	012133	012133	012133	012133	012133
11	Housing, Pump-Mach	1	5	006107	006107	006107	006107	150149	006107	006107	006107	150149
12	• Seal, Shaft	1		005095	005095	005095	014554	014554	005095	005095	014554	014554
13	Impeller "3098"	1		002570	002570	002570	002570	002570	002570	002570	002570	002570
14	Base-Mach "3098"	1		006333	006333	006333	006333	006333	006333	006333	006333	006333
15	Case Handle & Arm HT "3098"	1		007088	007088	007088	007088	007088	007088	007088	007088	007088
16	Guard	1		267008	267008	267008	267008	267008	267008	267008	267008	267008
17	• Arm & Seal Asm	1		004741	004741	004741	004741	004741	004741	004741	004741	004741
18	Case & Switch HT "3098"	1		007087	007087	007087	007087	007087	007087	007087	007087	007087
19	Switch Asm HT "3098"	1		007089	007089	007089	007089	007089	007089	007089	007089	007089
20	Capacitor Asm 10 UF "3098"	1		007093	007093	007093	007093	007093	007093	007093	007093	007093
21	Case Gasket	1		267007	267007	267007	014555	014555	267007	267007	014555	014555
22	Housing, Switch Case Mach HT "3098"	1		006836	009453	009453	009453	009453	006836	009453	009453	009453
23	Float	1		034019	034019	034019	034019	034019	034019	034019	034019	034019
24	Float Rod Asm	1		005352	005352	005352	005352	005352	005352	005352	005352	005352
25	Float- Mach	1		004912	004912	004912	004912	004912	004912	004912	004912	004912
26	Cord Term & Seal 115V	1		005348	005348	005348	005348	005348	005369	005369	005369	005369
27	• Clamp, Strain Relief Red	2		001770	001770	001770	001770	N/A	001770	001770	001770	N/A
28	• Seal Asm & Strain Relief	1		004721	004721	004721	004721	004721	004721	004721	004721	004721
29	Wirenut Connector	2		001776	001776	001776	001776	001776	001776	001776	001776	001776
30	• Seal Asm, Conduit	1		009603	009643	009643	009643	009643	009603	009643	009643	009643
31	Seal Asm	1		005345	009643	009643	009643	009643	005345	009643	009643	009643
32	Cordage Conduit & SLS HT/A "3098"	1		007090	009644	009644	009644	009644	007090	009644	009644	009644
33	Conduit 3"	1		005167	005167	005167	005167	005167	005167	005167	005167	005167
34	Cordage & Terms HT/AUTO "3098"	1		007091	007091	007091	007091	007091	007091	007091	007091	007091
35	Clamp, # 36 Worm	3		001766	001766	001766	001766	001766	001766	001766	001766	001766
36	• Screw, #10-24x.75 RHM-SL SS	12		001885	001885	001885	001885	001885	001885	001885	001885	001885
37	• Screw, #6-32x.375 RHSL STL ZI	3		001877	001877	001877	001877	001877	001877	001877	001877	001877
38	• Screw, Stator	2		001914	001914	001914	001914	150099	001914	001914	001914	150099
39	• Sem, 10-24x .375 HH-SL TC.688 Wash	1		002000	002000	002000	002000	002000	002000	002000	002000	002000
40	• Screw, 6-32x.375 RHSL STL ZI	3		004644	004644	004644	004644	004644	004644	004644	004644	004644
41	• Screw, 10-24 x.375 RHM-SL SS	2		001883	001883	001883	001883	001883	001883	001883	001883	001883
42	• Screw, 25-20 x .75 HHM-SS	4		001916	001916	001916	001916	001916	001916	001916	001916	001916
□	Rebuild Kit "3098"		5	007096	018092	018092	018092	018092	007096	018092	018092	018092

• Items included in Rebuild Kit.

□ Not Shown in Illustration.

NOTES:

- 1) See FM0160 Parts Price Sheet for listing of parts prices.
- 2) "NA" indicates, not applicable.
- 3) If an "X" follows Model No., or Date Mfg. on brass ID tag, consult factory for ordering of this part.
- 4) When ordering these parts, customer must identify if G.E. or EMD.
- 5) Kits are supplied with two different length screws for mounting stators. During assembly verify length and ensure screws are seated properly.

REPLACEMENT PARTS LIST FOR MODELS "N3098" and "E3098"

See back page for "N3098" and "E3098" illustration.

REF NO.	DESCRIPTION	QTY	NOTES	MODELS:					E3098-A	E3098-B	E3098-C	E3098-D
				N3098-A	N3098-B	N3098-C	N3098-D	N3098-E				
				8/91 thru 9/94	10/94 thru 1/96	2/96 thru 2/01	3/01 thru 8/09	9/09 thru Current	8/91 thru 9/94	10/94 thru 2/01	3/01 thru 8/09	9/09 thru Current
1	• Plug, Test-ED Brass	2		155485	155485	155485	155485	155485	155485	155485	155485	155485
2	Cover & Handle "3098"	1		005344	009602	009602	009602	009602	005344	009602	009602	009602
3	• Seal, Thru Wall Term	3		003402	003402	003402	003402	003402	003402	003402	003402	003402
4	• Gasket, Case/Cover	1		034046	034046	034046	014553	014553	034046	034046	014553	014553
5	Housing, Mtr- & Term Asm "3098"	1		007092	007092	007092	007092	007092	007092	007092	007092	007092
6	Stator W/Screws 1P/EMD 3098	1	4, 5	007084	007084	010526	010526	010526	007085	007085	007085	007085
7	Rotor Asm 115/230V/1PH "98" EMD"3098"	1	4	007050	007050	010270	010270	010270	007050	007050	007050	007050
8	• Seal, Mtr Hsg	1		034007	034007	034007	014556	014556	034007	034007	014556	014556
9	• Washer, Trst-NYL.875X.504X.050"	1		002140	002140	002140	002140	002140	002140	002140	002140	002140
10	• Oil, Dielectric - (30.5 Oz Can)	1		012133	012133	012133	012133	012133	012133	012133	012133	012133
11	Housing, Pump-Mach	1	5	006107	006107	006107	006107	150149	006107	006107	006107	150149
12	• Seal, Shaft	1		005095	005095	005095	014554	014554	005095	005095	014554	014554
13	Impeller "3098"	1		002570	002570	002570	002570	002570	002570	002570	002570	002570
14	Base-Mach "3098"	1		006333	006333	006333	006333	006333	006333	006333	006333	006333
15	Cover, Plate & Gasket	1		267050	267050	267050	267050	267050	267050	267050	267050	267050
16	Capacitor Asm 10 UF "3098"	1		007093	007093	007093	007093	007093	007093	007093	007093	007093
17	Case Gasket	1		267007	267007	267007	014555	014555	267007	267007	014555	014555
18	Box Mach HT NA	1		006837	009454	009454	009454	009454	006837	009454	009454	009454
19	Clamp, # 36 Worm	2		001766	001766	001766	001766	001766	001766	001766	001766	001766
20	Wire Asm - (1) Wire Black 6" long	1		007650	007650	007650	007650	007650	007650	007650	007650	007650
21	Seal Asm	1		005345	009643	009643	009643	009643	005345	009643	009643	009643
22	• Seal Asm, Conduit	1		009604	009643	009643	009643	009643	009604	009643	009643	009643
23	Cordage conduit & SLS HT/NA "3098"	1		007095	009645	009645	009645	009645	007095	009645	009645	009645
24	Conduit-Mach 6'	1		005252	005252	005252	005252	005252	005252	005252	005252	005252
25	Cordage & Terms HT/NA "3098"	1		007094	007094	007094	007094	007094	007094	007094	007094	007094
26	• Clamp, Strain Relief Red	2		001770	001770	001770	001770	N/A	001770	001770	001770	N/A
27	• Screw, #10-24x.75 RHM-SL SS	12		001885	001885	001885	001885	001885	001885	001885	001885	001885
28	• Screw, #6-32x.375 RHSL STL ZI	3		001877	001877	001877	001877	001877	001877	001877	001877	001877
29	• Screw, Stator	2		001914	001914	001914	001914	150099	001914	001914	001914	150099
30	• Sem, 10-24x .375 HH-SL TC.688 Wash	1		002000	002000	002000	002000	002000	002000	002000	002000	002000
31	• Screw, 25-20 x .75 HHM-SS	4		001916	001916	001916	001916	001916	001916	001916	001916	001916
32	• Screw, 6-32x.375 RHSL STL ZI	1		004644	004644	004644	004644	004644	004644	004644	004644	004644
33	Wirenut Connector	2		001776	001776	001776	001776	001776	001776	001776	001776	001776
34	Handle	1		267032	267032	267032	267032	267032	267032	267032	267032	267032
35	Retainer, Handle	2		267053	267053	267053	267053	267053	267053	267053	267053	267053
36	Screw, #10-24 x .375 RHM -SS	2		001883	001883	001883	001883	001883	001883	001883	001883	001883
□	Rebuild Kit "3098"		5	018091	018092	018092	018092	018092	018091	018092	018092	018092

- Items included in Rebuild Kit.
- Not Shown in Illustration.

NOTES:

- 1) See FM0160 Parts Price Sheet for listing of parts prices.
- 2) "NA" indicates, not applicable.
- 3) If an "X" follows Model No., or Date Mfg. on brass ID tag, consult factory for ordering of this part.
- 4) When ordering these parts, customer must identify if G.E. or EMD.
- 5) Kits are supplied with two different length screws for mounting stators. During assembly verify length and ensure screws are seated properly.

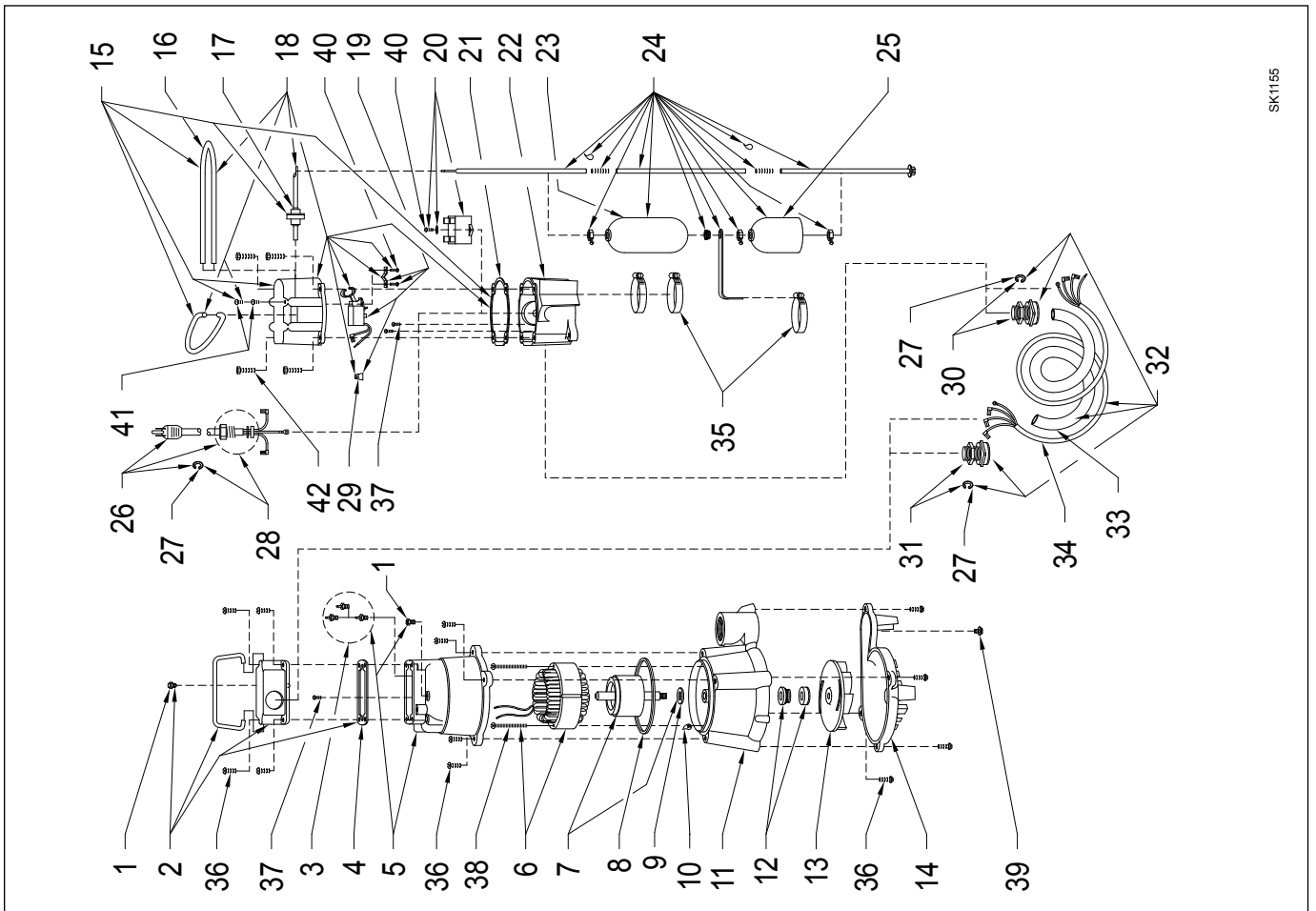


MAIL TO: P.O. BOX 16347 • Louisville, KY 40256-0347
 SHIP TO: 3649 Cane Run Road • Louisville, KY 40211-1961
 (502) 778-2731 • 1 (800) 928-PUMP • FAX (502) 774-3624

Visit our web site:
zoellerpumps.com

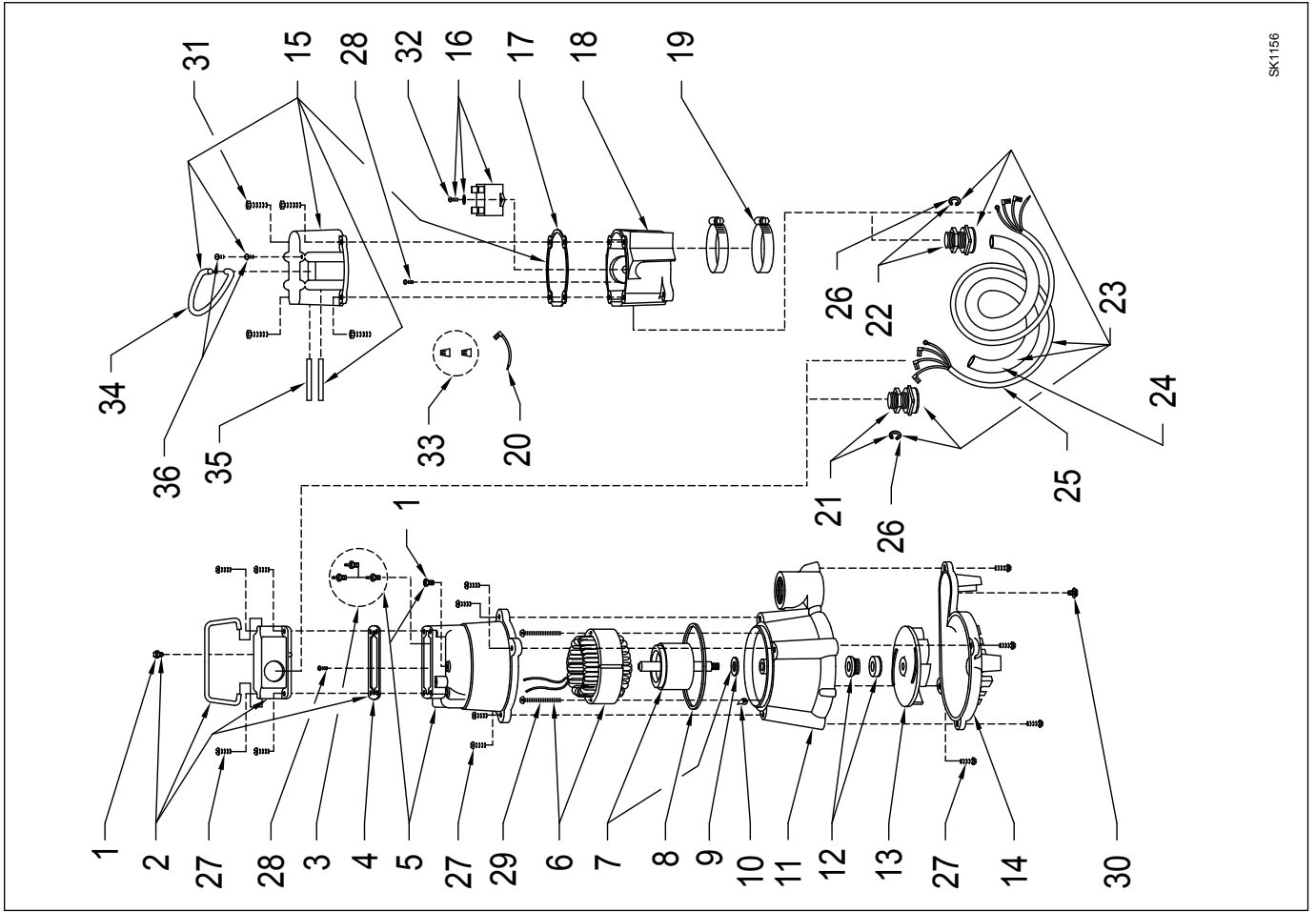
Trusted. Tested. Tough.™

REPLACEMENT PARTS ILLUSTRATION FOR MODELS "M3098" AND "D3098"



SK1156

REPLACEMENT PARTS ILLUSTRATION FOR MODELS "N3098" AND "E3098"



SK1156