

PRODUCT INFORMATION PACKET



Model No: P145K34FC6G

Catalog No: 120824.00

..3HP..3450RPM.145.TEFC.230V.1PH.60HZ.CONT.40C.1SF.ROUND.P145K34FC6G.....GENERAL
PURPOSE.MANUAL.....

Woodworking Duty



Regal and Leeson are trademarks of Regal Beloit Corporation or one of its affiliated companies.

©2018 Regal Beloit Corporation, All Rights Reserved. MC017097E





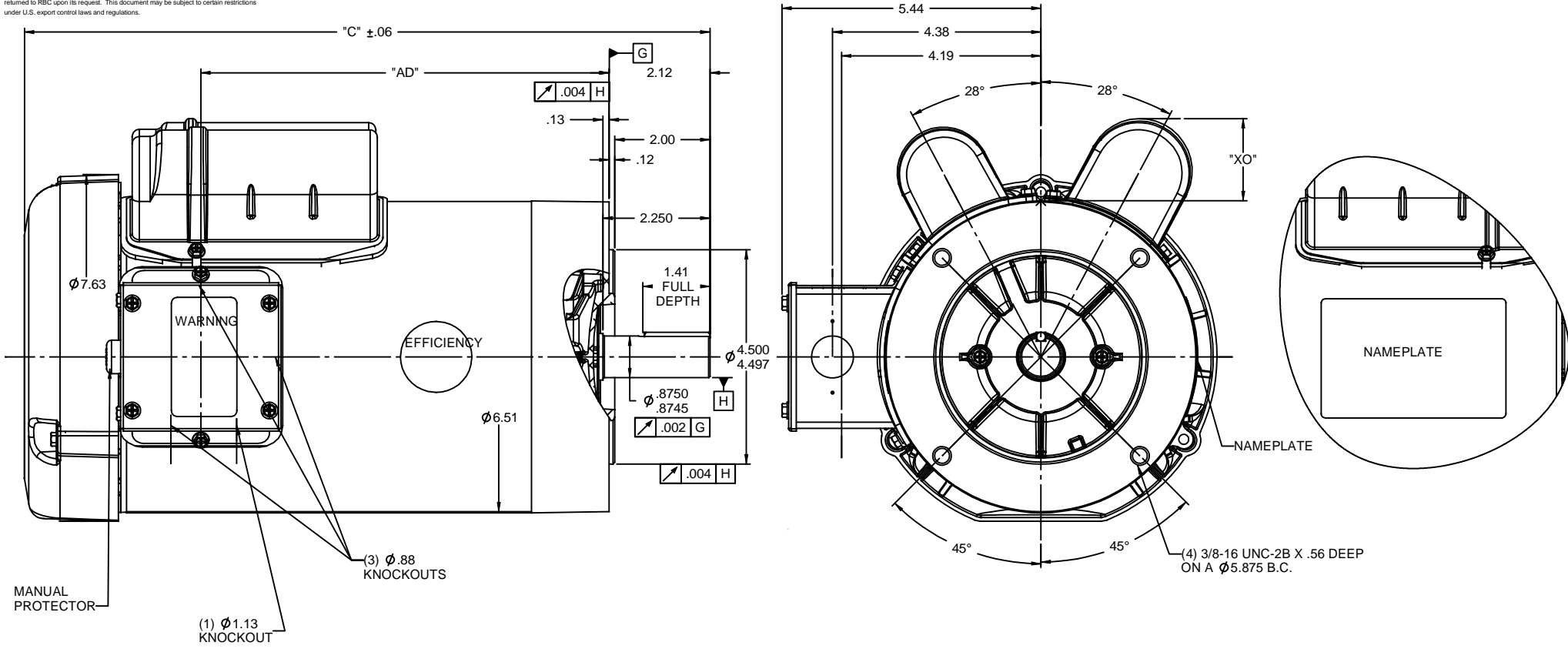
Nameplate Specifications

Output HP	3 Hp	Output KW	2.2 kW
Frequency	60 Hz	Voltage	230 V
Current	13.0 A	Speed	3450 rpm
Service Factor	1	Phase	1
Efficiency	81.5 %	Duty	Continuous
Insulation Class	F	Design Code	L
KVA Code	J	Frame	145TC
Enclosure	Totally Enclosed Fan Cooled	Overload Protector	Manual
Ambient Temperature	40 °C	Drive End Bearing Size	6205
Opp Drive End Bearing Size	6203	UL	Recognized
CSA	Y	CE	N
IP Code	43		

Technical Specifications

Electrical Type	Capacitor Start Capacitor Run	Starting Method	Across The Line
Poles	2	Rotation	Selective Counterclockwise
Mounting	Round	Motor Orientation	HORIZONTAL
Drive End Bearing	BALL	Opp Drive End Bearing	BALL
Frame Material	Rolled Steel	Shaft Type	NEMA 56
Overall Length	14.43 in	Frame Length	8.50 in
Shaft Diameter	0.875 in	Shaft Extension	2.25 in
Assembly/Box Mounting	F1 ONLY		
Outline Drawing	028591-850C	Connection Diagram	005056.03

RBC PROPRIETARY AND CONFIDENTIAL INFORMATION
 This document is the property of REGAL BELOIT CORPORATION ("RBC") including its subsidiaries and divisions and contains proprietary information of RBC. This document is loaned on the express condition that neither it nor the information contained therein shall be disclosed to others without the express written consent of RBC, and that the information shall be used by the recipient only as approved expressly by RBC. This document shall be returned to RBC upon its request. This document may be subject to certain restrictions under U.S. export control laws and regulations.



DASH NO.	"C"	"AD"	CAP. DASH	"XO"
700	12.93	7.07	A	1.15
750	13.43	7.57	B	1.60
800	13.93	8.07	C	1.82
850	14.43	8.57		

GASKETS THROUGHOUT

REVISION		BY & DATE	CHK	ANG	FINISH	PREV	SIZE	DRAWING NO	REV
01	REMOVED ROUND PROT. DECAL PER ISAAC 10-0095	LST 1/11/2010	XX	XXX	±.005	MATL			
REVISION		BY & DATE	CHK	ANG	±1/2"	FINISH			
THIRD ANGLE PROJECTION			RFP			PREV	B	028591	01
						NETWORK FILE NAME			

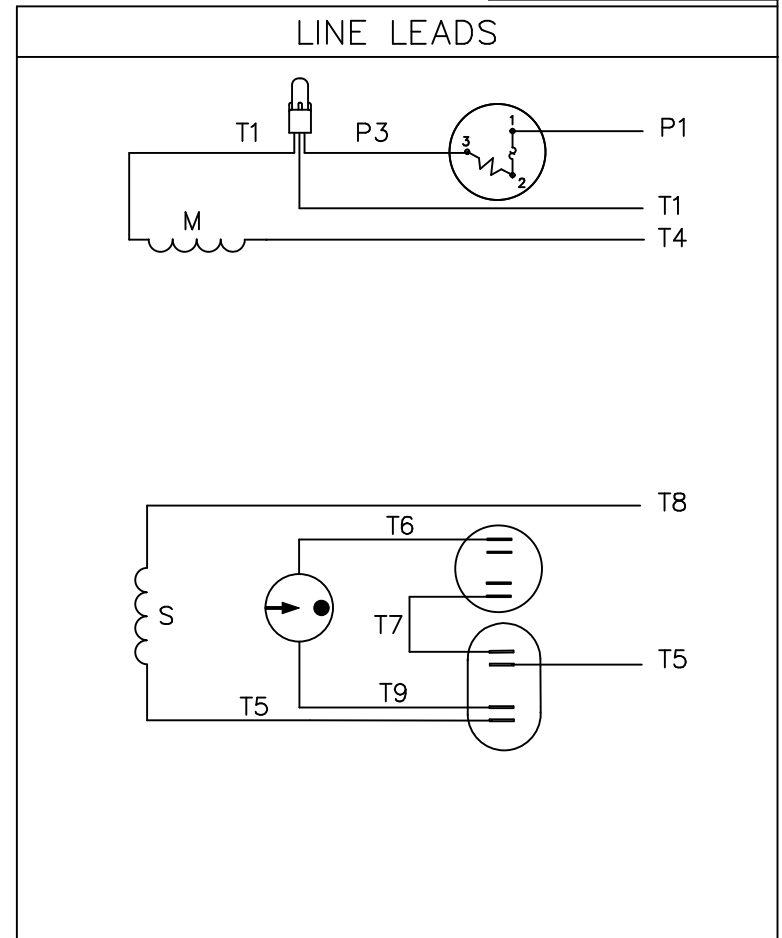
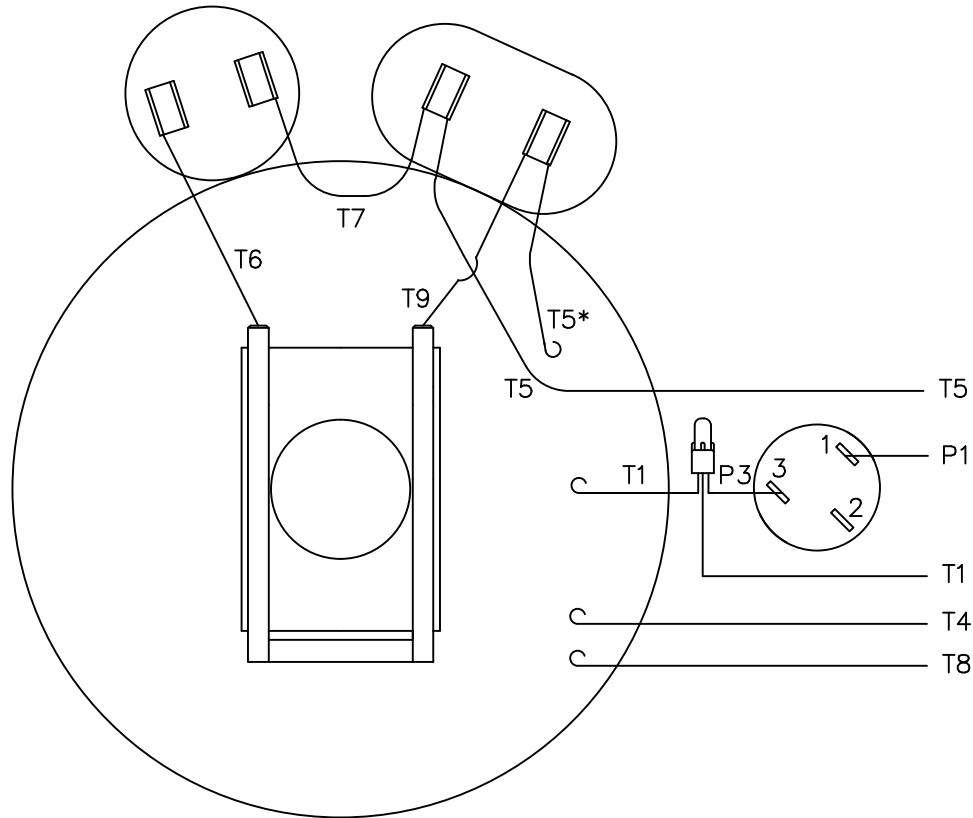
TOLERANCES UNLESS SPECIFIED:
 DEC INCHES
 X ±.1
 .XX ±.03
 .XXX ±.005
 .XXX ±.005

REGAL BELOIT CORPORATION

TITLE: OUTLINE 140TC FRAME
 REF: TEFC "C" FACE


DRAWN: LST 9/29/08
 CHK:
 APPR:
 SCALE: 1:4
 REF:
 FMF:
 PAGE: OF

VIEW FROM OUTSIDE OF MOTOR AT SWITCH END.



ROTATION FACING LEAD END	L1	L2	JOIN
C.C.W.	P1	T4, T5	T1, T8
C.W.	P1	T4, T8	T1, T5

* THIS LEAD MAY BE WHITE

			TOLERANCES UNLESS SPECIFIED		 ELECTRIC MOTORS GEARMOTORS AND DRIVES	DRAWN WLW 08/30/76			
			DEC.	INCHES		CHK WRK 09/24/76	APPD		
			.X	±.1					
08	ALTERNATE T5 LEAD MARKING WAS RED	RLW 8/6/02	.XX	±.01	TITLE	EXTERNAL WIRING DIAGRAM TYPE "K" W/ PROTECTOR	SCALE 1=1		
07	ADDED ALTERNATE T5 LEAD MARKING	RLW 5/31/02	KH	±.005			REF		
06	REDRAWN TO CAD	DBT 5/31/02	.XXXX	±.0005	MAT'L.	DECAL - 004015	FMF 6K17FB4		
NO.	REVISION	BY & DATE	CHK	ANG ±1/2°	FINISH		PREV		
THIS DRAWING IN DESIGN AND DETAIL IS OUR PROPERTY AND MUST NOT BE USED EXCEPT IN CONNECTION WITH OUR WORK ALL RIGHTS OF DESIGN AND INVENTION ARE RESERVED THIS IS AN ELECTRONICALLY GENERATED DOCUMENT - DO NOT SCALE THIS PRINT			RFP		CAD FILE	00505603	SIZE A	DRAWING NO. 005056-03	REV. 08
			DIST	BRF-NLV					

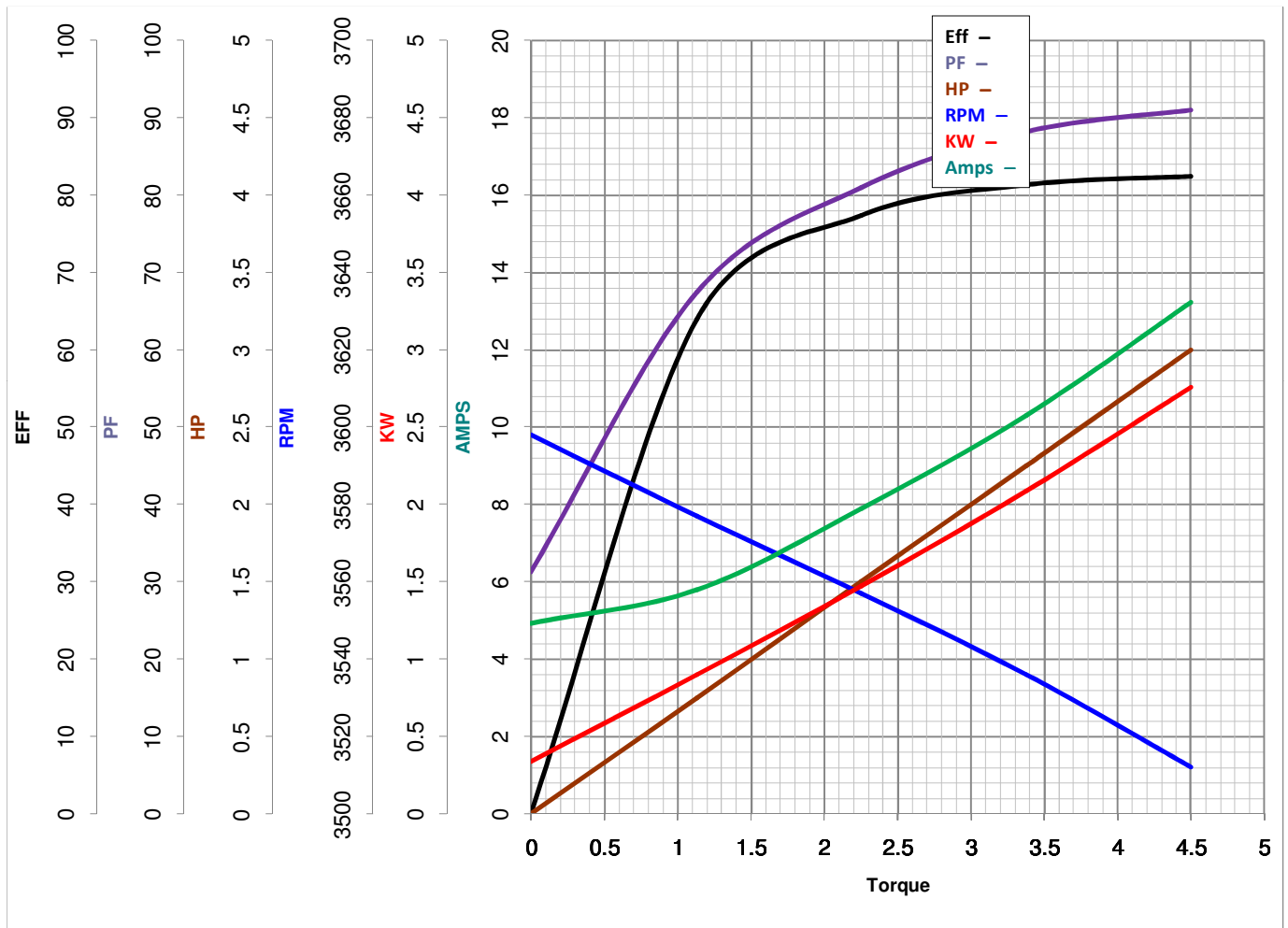


LEESON ELECTRIC CORPORATION
TYPICAL PERFORMANCE CURVE for AC MOTOR

Model No 120824.00

Catalog No 120824.00

Curve at 230 Volts HP 3.00 PHASE 1
60 HZ
3 HP VOLTS 230
HZ 60 RPM 3450



Torque in Lb.Ft

FL TORQUE 4.5 Lb.Ft
BD TORQUE 13.5 Lb.Ft
LR TORQUE 12.5 Lb.Ft

FL AMPS 13
PU TORQUE 12.0 Lb.Ft
LR AMPS 100

WINDING K632129-2

Date 4/23/2018