

# PRODUCT INFORMATION PACKET



Model No: P182C17FB12C

Catalog No: 131541.00

2HP..1740RPM.182.TEFC.115/208-230V.1PH.60HZ.CONT.MANUAL.40C.1.15SF.RIGID.AG - FARM  
DUTY/GENERAL PURPOSE.P182C17FB12C

Agricultural



Regal and Leeson are trademarks of Regal Beloit Corporation or one of its affiliated companies.

©2018 Regal Beloit Corporation, All Rights Reserved. MC017097E





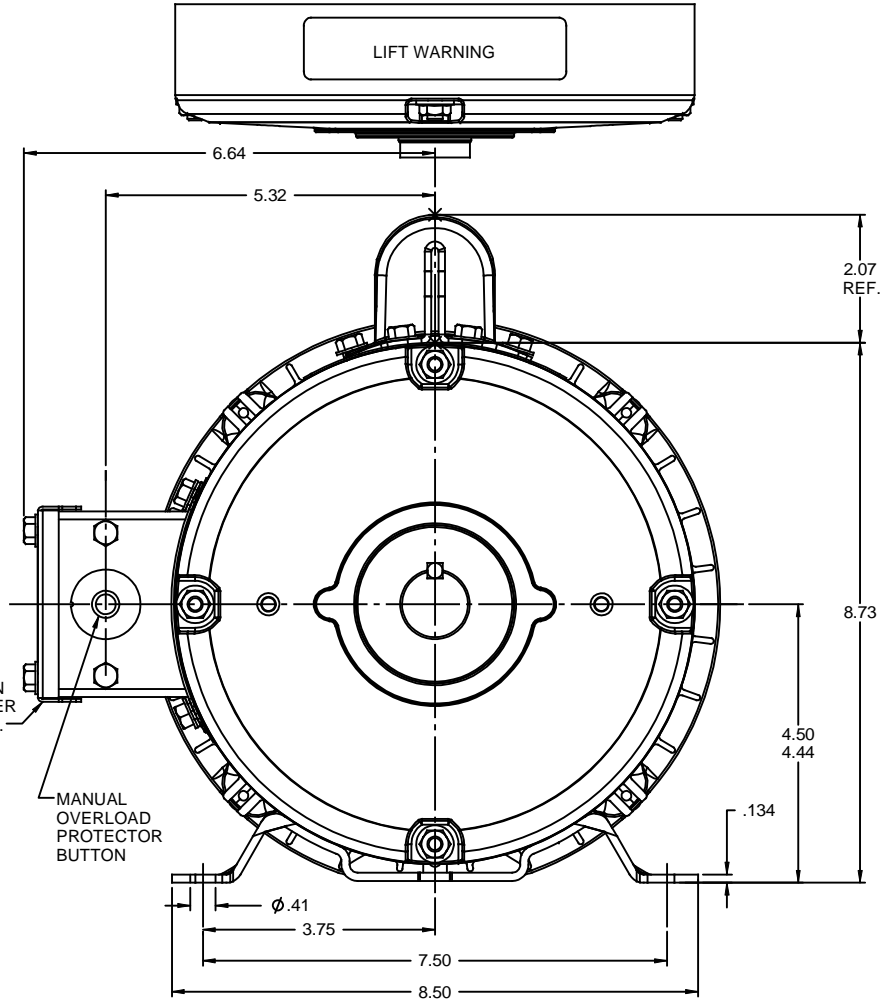
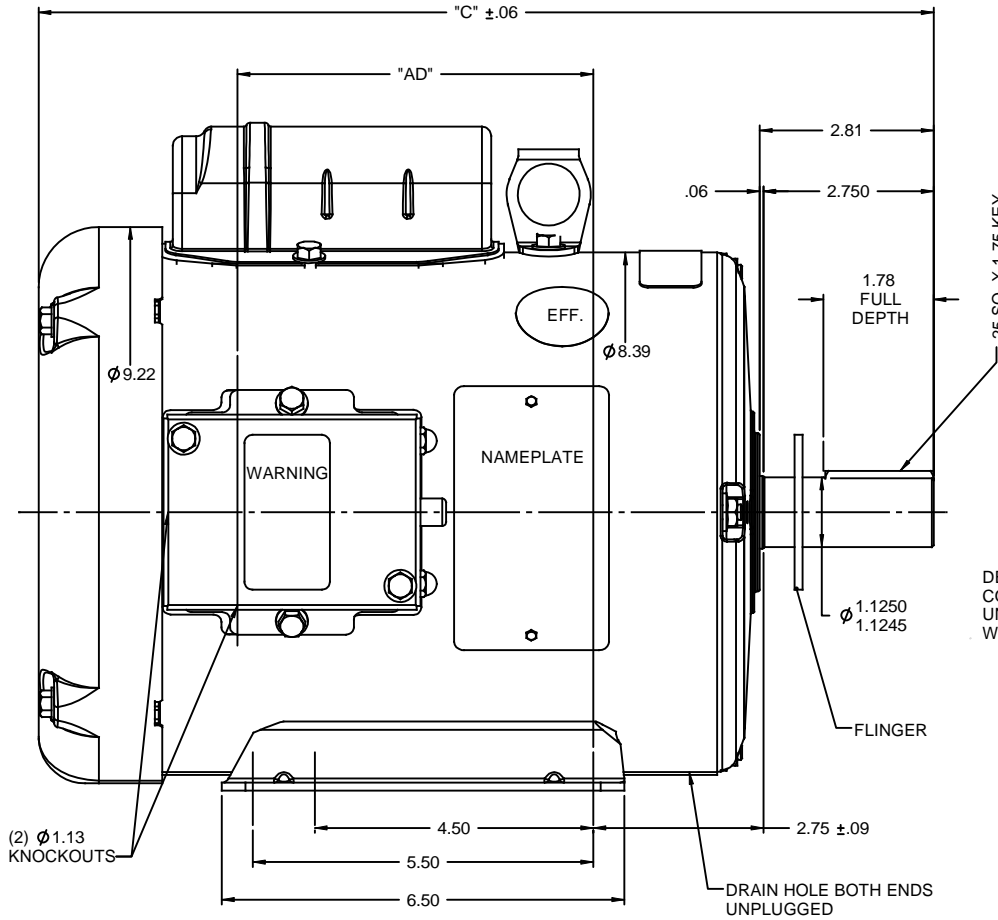
**Nameplate Specifications**

Output HP	<b>2 Hp</b>	Output KW	<b>1.5 kW</b>
Frequency	<b>60 Hz</b>	Voltage	<b>115/208-230 V</b>
Current	<b>24.8/13.0-12.4 A</b>	Speed	<b>1740 rpm</b>
Service Factor	<b>1.15</b>	Phase	<b>1</b>
Efficiency	<b>72 %</b>	Duty	<b>Continuous</b>
Insulation Class	<b>F</b>	Design Code	<b>L</b>
KVA Code	<b>K</b>	Frame	<b>182T</b>
Enclosure	<b>Totally Enclosed Fan Cooled</b>	Overload Protector	<b>Manual</b>
Ambient Temperature	<b>40 °C</b>	Drive End Bearing Size	<b>6206</b>
Opp Drive End Bearing Size	<b>6205</b>	UL	<b>Recognized</b>
CSA	<b>Y</b>	CE	<b>N</b>
IP Code	<b>43</b>		

**Technical Specifications**

Electrical Type	<b>Capacitor Start Induction Run</b>	Starting Method	<b>Across The Line</b>
Poles	<b>4</b>	Rotation	<b>Selective Counterclockwise</b>
Mounting	<b>Rigid base</b>	Motor Orientation	<b>HORIZONTAL</b>
Drive End Bearing	<b>BALL</b>	Opp Drive End Bearing	<b>BALL</b>
Frame Material	<b>Rolled Steel</b>	Shaft Type	<b>T</b>
Overall Length	<b>14.46 in</b>	Frame Length	<b>9.00 in</b>
Shaft Diameter	<b>1.125 in</b>	Shaft Extension	<b>2.75 in</b>
Assembly/Box Mounting	<b>F1 ONLY</b>		
Outline Drawing	<b>035747-900</b>	Connection Diagram	<b>005067.02</b>

RBC PROPRIETARY AND CONFIDENTIAL INFORMATION  
 This document is the property of REGAL BELOIT CORPORATION ("RBC") including its subsidiaries and divisions and contains proprietary information of RBC. This document is loaned on the express condition that neither it nor the information contained therein shall be disclosed to others without the express written consent of RBC, and that the information shall be used by the recipient only as approved expressly by RBC. This document shall be returned to RBC upon its request. This document may be subject to certain restrictions under U.S. export control laws and regulations.



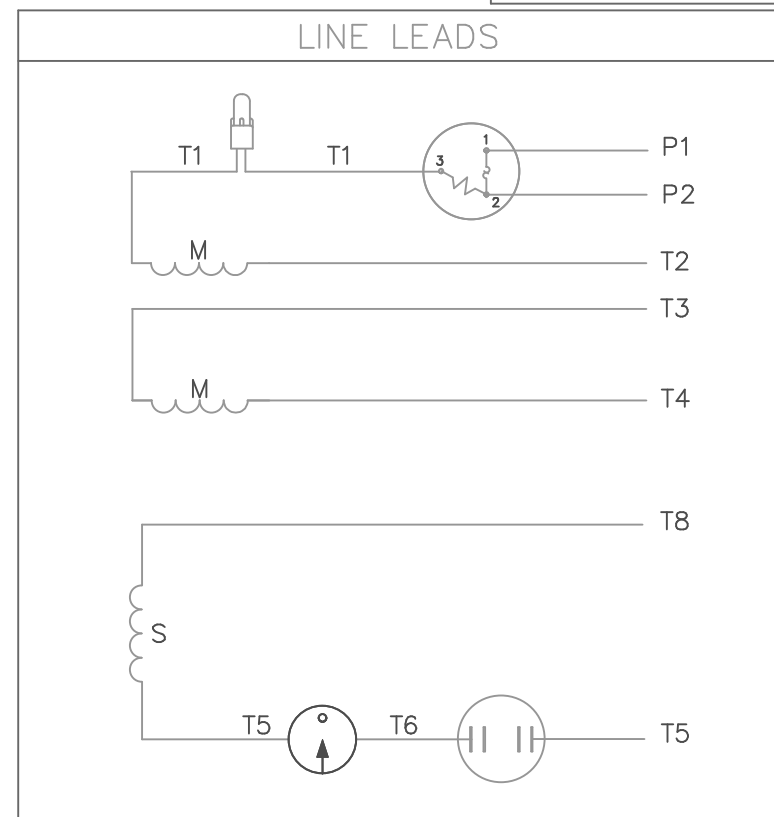
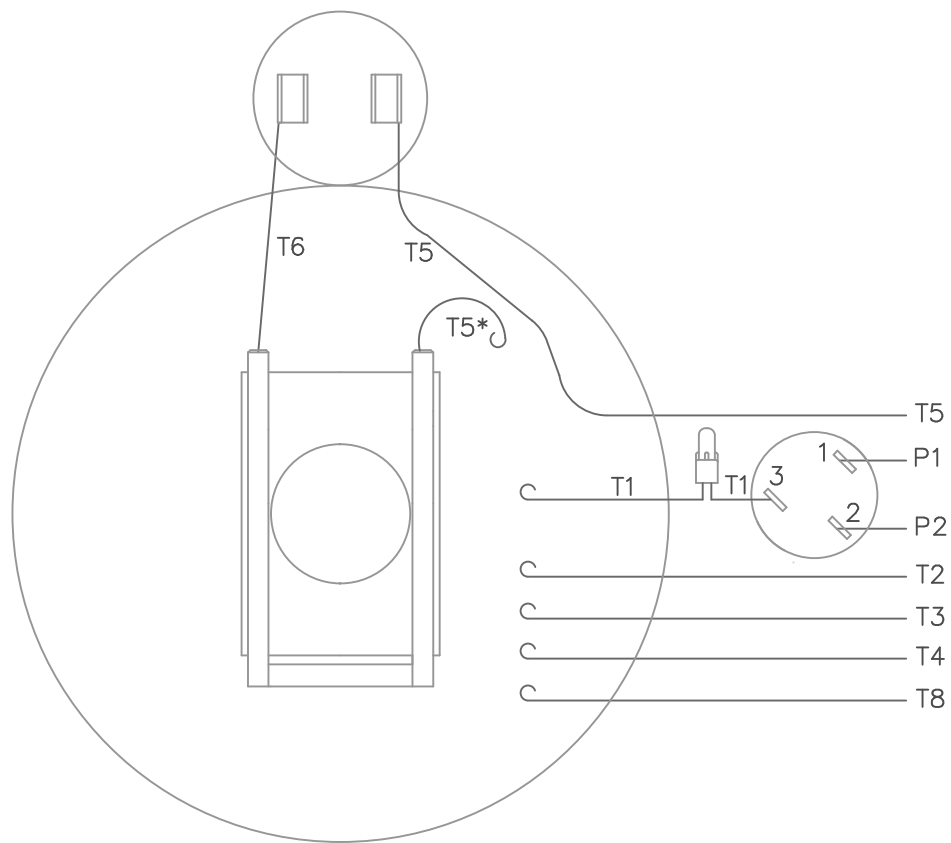
**MOTOR SPECIAL FEATURES:**  
 GASKETS THROUGHOUT  
 DRAIN HOLES IN FRAME BOTH ENDS (UNPLUGGED)  
 BRASS NAMEPLATE  
 MANUAL RESET OVERLOAD PROTECTOR  
 DOUBLE SEALED BALL BEARINGS  
 FLINGER

DASH NO.	"C"	"AD"
800	13.46	4.75
850	13.96	5.25
900	14.46	5.75
950	14.96	6.25
1000	15.46	6.75
1050	15.96	7.25
1100	16.46	7.75
1150	16.96	8.25

REVISION		BY & DATE	CHK	ANG	FINISH	PAGE	OF
THIRD ANGLE PROJECTION			RFP	±1/2"	PREV	SIZE	DRAWING NO
						<b>B</b>	<b>035747</b>
							REV


TOLERANCES UNLESS SPECIFIED	DEC	INCHES	TITLE	DRAWN
x	±.1		OUTLINE - 182T FRAME	LST 1/2/10
.xx	±.03		TEFC - RIGID MOUNT	CHK
.xxx	±.005			APPR
.xxxX	±.0005		MATL FARM DUTY MOTOR	SCALE 1:2
				REF
				FMF

VIEW FROM OUTSIDE OF MOTOR AT SWITCH END.



	ROTATION FACING LEAD END	L1	L2	JOIN	INSULATE SEPARATELY
HIGH VOLT	C.C.W.	P1	T4 T5	T2,T3 T8	P2
	C.W.	P1	T4 T8	T2,T3 T5	P2
LOW VOLT	C.C.W.	P1	T2,T4 T5	P2,T3 T8	
	C.W.	P1	T2,T4 T8	P2,T3 T5	

\* THIS LEAD MAY BE WHITE

		TOLERANCES UNLESS SPECIFIED		 ELECTRIC MOTORS GEARMOTORS AND DRIVES		DRAWN WLW 09/01/76		
		DEC.	INCHES			CHK		
05	ALTERNATE T5 LEAD MARKING WAS RED	RLW 8/6/02	.X	±.1	APPD			
04	ADDED ALTERNATE T5 LEAD MARKING	RLW 5/31/02	KH	.XX	±.01	SCALE 1=1		
03	DECAL WAS 004015	DBT 12/23/97		.XXX	±.005	REF		
02	REDRAWN ON CAD	DBT 05/29/97		.XXXX	±.0005	FMF		
NO.	REVISION	BY & DATE	CHK	ANG	±1/2'	PREV		
THIS DRAWING IN DESIGN AND DETAIL IS OUR PROPERTY AND MUST NOT BE USED EXCEPT IN CONNECTION WITH OUR WORK ALL RIGHTS OF DESIGN AND INVENTION ARE RESERVED THIS IS AN ELECTRONICALLY GENERATED DOCUMENT - DO NOT SCALE THIS PRINT			RFP	CAD FILE 00506702		SIZE A	DRAWING NO. 005067-02	REV. 05
			DIST NLV					

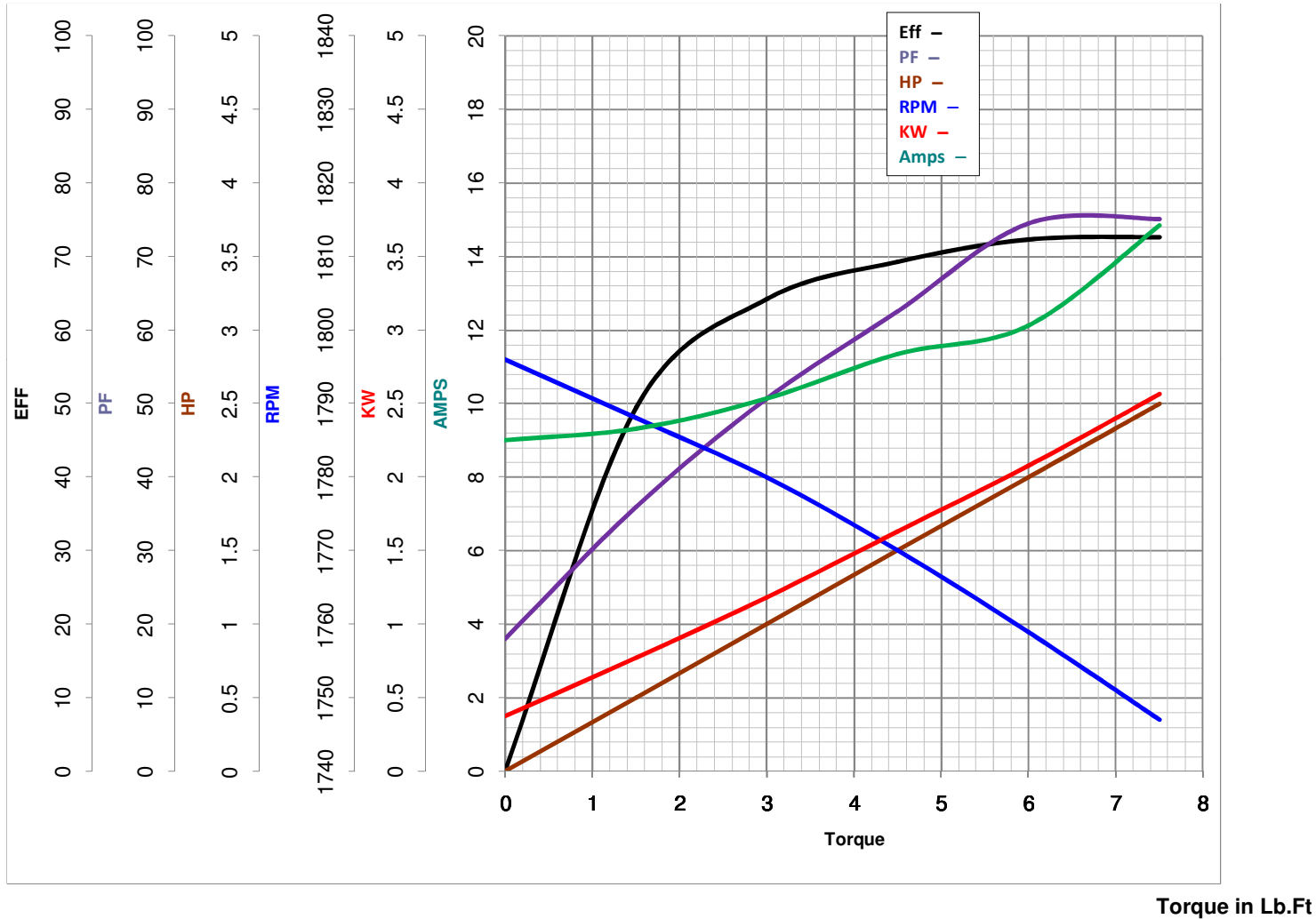


**LEESON ELECTRIC CORPORATION**  
TYPICAL PERFORMANCE CURVE for AC MOTOR

Model No 131541.00

Catalog No 131541.00

Curve at 230 Volts      HP 2.00      PHASE 1  
60 HZ  
2 HP      VOLTS 115/208-230  
HZ 60      RPM 1740



FL TORQUE 6 Lb.Ft  
 BD TORQUE 16.1 Lb.Ft  
 LR TORQUE 20.6 Lb.Ft

FL AMPS 24.8/13-12.4  
 PU TORQUE 15.0 Lb.Ft  
 LR AMPS 78

WINDING C842-3

Date 4/23/2018