

BALDOR® • RELIANCE 

Product Information Packet

EM2540T-CI

40HP, 1185RPM, 3PH, 60HZ, 364T, 1458M, OPEN, F1

Part Detail							
Revision:	M	Status:	PRD/A	Change #:		Proprietary:	No
Type:	AC	Elec. Spec:	A36WG0752	CD Diagram:	416820-002	Mfg Plant:	
Mech. Spec:		Layout:	617428-115	Poles:	06	Created Date:	10-19-2010
Base:		Eff. Date:	11-22-2017	Leads:	3#4,6#6		

Specs			
Enclosure:	DP	Feedback Device:	NO FEEDBACK
Frame:	364T	Heater Indicator:	No Heater
Frame Material:	Iron	Insulation Class:	F
Output @ Frequency:	40.000 HP @ 60 HZ	Inverter Code:	Not Inverter
Synchronous Speed @ Frequency:	1200 RPM @ 60 HZ	KVA Code:	G
Voltage @ Frequency:	230.0 V @ 60 HZ	Lifting Lugs:	Standard Lifting Lugs
	460.0 V @ 60 HZ	Motor Lead Quantity/Wire Size:	3 @ 4 AWG
XP Class and Group:	None	Motor Type:	A36062M
XP Division:	Not Applicable	Mounting Arrangement:	F1
Agency Approvals:	CSA EEV	Power Factor:	81
	CCSA US	Pulley End Bearing Type:	Ball
Auxillary Box:	No Auxillary Box	Pulley Face Code:	Standard
Base Indicator:	Rigid	Shaft Ground Indicator:	No Shaft Grounding
Bearing Grease Type:	Polyrex EM (-20F +300F)	Shaft Rotation:	Reversible
Current @ Voltage:	98.800 A @ 230.0 V	Shaft Slinger Indicator:	No Slinger
	49.400 A @ 460.0 V	Speed Code:	Single Speed
Design Code:	B	Motor Standards:	NEMA
Drip Cover:	No Drip Cover	Starting Method:	Direct on line

Duty Rating:	CONT	Thermal Device - Bearing:	None
		Thermal Device - Winding:	None

Nameplate NP2383L										
CAT.NO.	EM2540T-CI			SPEC NO.	P36G3402					
HP	40	AMPS	98.8/49.4		VOLTS	230/460		DESIGN	B	
FRAME	364T	RPM	1190	HZ	60	AMB	40	SF	1.15	
DRIVE END BEARING	65BC03J30X			PHASE	3	DUTY	CONT		INSUL.CLASS	F
OPP D.E. BEARING	65BC03J30X			TYPE	P	ENCL	DP	CODE	G	
SER.NO.				POWER FACTOR	80.5		NEMA-NOM-EFFICIENCY	94.1		
NEMA NOM/CSA QUOTED EFF				MAX CORR KVAR	12.0		GUARANTEED EFFICIENCY	93.6		
				MOTOR WEIGHT						

Parts List		
Part Number	Description	Quantity
SA208357	SA P36G3402	1.000 EA
RA195622	RA P36G3402	1.000 EA
000613006PU	N/P (RELEASE QTY 10,000) UL CSA LABEL	1.000 EA
000692000VD	LABEL WARNING	1.000 EA
NP2383L	SUPER-E ,SS, CC, CSA-C US, CSA EEV	1.000 EA
421948032	LABEL, MYLAR	1.000 EA
004824015A	GREASE POLYREX EM	0.544 LB
032018024CK	HHCS 3/8-16X3 PLTD.	3.000 EA
032018028DK	HHCS 1/2-13X3-1/2 PLTD.	4.000 EA
032376004JB	RHMS 10-32X1/2PLTD-360	3.000 EA
034001009AB	WSHR #10 PLATED-360	3.000 EA
034017009AB	LCKW NO.10 PLATED-360	3.000 EA
035000001A	ALFTG 1/8" 1610-BL	1.000 EA
034690002AB	PPLG 1/4" PLTD.	1.000 EA
078556001A	BAFFL 360 SUB PAINT	1.000 EA
085920052A	BRKT 360 085920051WCC KB	1.000 EA
410700004F	WSHR	1.000 EA
032018024CK	HHCS 3/8-16X3 PLTD.	3.000 EA
032018028DK	HHCS 1/2-13X3-1/2 PLTD.	4.000 EA
032376004JB	RHMS 10-32X1/2PLTD-360	3.000 EA
034001009AB	WSHR #10 PLATED-360	3.000 EA
034017009AB	LCKW NO.10 PLATED-360	3.000 EA
035000001A	ALFTG 1/8" 1610-BL	1.000 EA
034690002AB	PPLG 1/4" PLTD.	1.000 EA

Parts List (continued)		
Part Number	Description	Quantity
078556001A	BAFFL 360 SUB PAINT	1.000 EA
085920052A	BRKT 360 085920051WCC KB	1.000 EA
032018010CK	HHCS 3/8-16X1-1/4 PLTD.	4.000 EA
033512006LB	HHTTS 1/4-20X3/4 PLTD.	4.000 EA
048897010DG	PLUG,ODE BRKT - 360	1.000 EA
065776000C	TERBD 320-400	1.000 EA
067053000B	GASK 320-400	1.000 EA
076708000BB	C/B - 360	1.000 EA
076709000A	C/B Cover - 360	1.000 EA
415000103H	415000103H	1.000 EA
MG1025Y17	WILKOFAS, 789.701, SUPER E PEARL GOLD	0.250 GA
033775004EA	DRSCR #6-1/4 304 S.S.	2.000 EA
034180034HA	KEY 5/8X5/8X4-1/4 L	1.000 EA
14PA1000	PACKAGING 314 GROUP COMBINED PRINT	1.000 EA
032018005DL	1/2-13 X 5/8 SILICON BRONZE HHCS	1.000 EA

REL. S.O.	FRAME	HP	TYPE	PHASE/HERTZ	RPM	VOLTS
	364VPZ	40	P	3/60	1190	230/460
AMPS	DUTY	AMB °C/ INSUL.	S.F.	NEMA DESIGN	CODE LETTER	ENCL.
98.8/49.4	CONT	40/F	1.15	B	G	DP
E/S	ROTOR	TEST S.O.	TEST DATE	STATOR RES. @25 °C OHMS (BETWEEN LINES)		
491378	418141-71JE	---	---	.0380/.152		

PERFORMANCE


LOAD	HP	AMPERES	RPM	POWER FACTOR %	EFFICIENCY %
NO LOAD	0	17.8	1200	5.94	0
1/4	10.0	21.6	1197	48.6	89.2
2/4	20.0	29.0	1194	69.3	93.2
3/4	30.0	38.5	1191	77.4	94.1
4/4	40.0	49.4	1188	80.6	94.1
5/4	50.0	61.0	1184	82.0	93.6

SPEED TORQUE

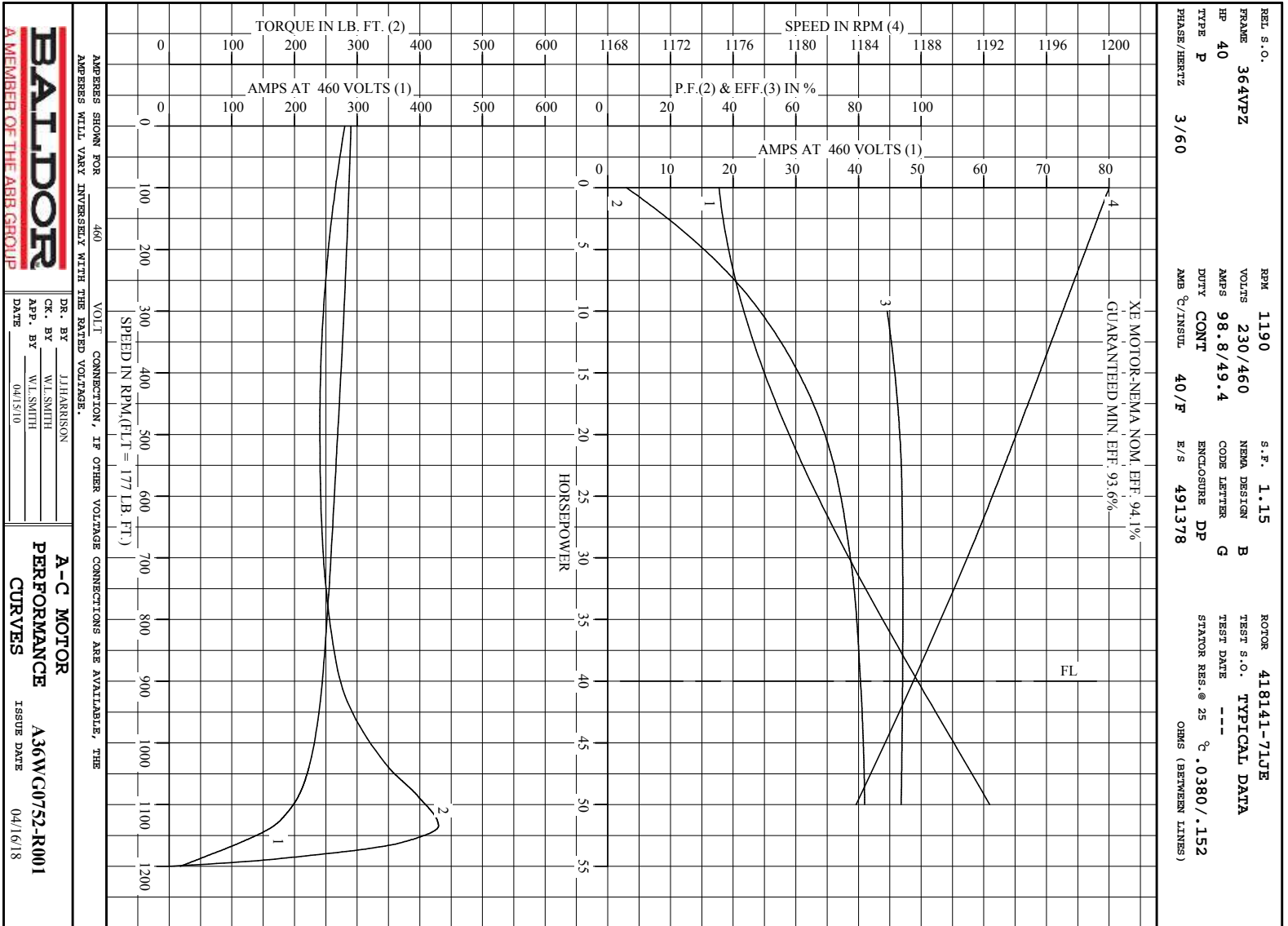
	RPM	TORQUE % FULL LOAD	TORQUE LB.-FT.	AMPERES
LOCKED ROTOR	0	158	280	290
PULL UP	480	136	241	270
BREAKDOWN	1135	243	430	167
FULL LOAD	1188	100	177	49.4

AMPERES SHOWN FOR 460. VOLT CONNECTION. IF OTHER VOLTAGE CONNECTIONS ARE AVAILABLE, THE AMPERES WILL VARY INVERSELY WITH THE RATED VOLTAGE

REMARKS : TYPICAL DATA
 XE MOTOR-NEMA NOM. EFF. 94.1%
 GUARANTEED MIN. EFF. 93.6%

 A MEMBER OF THE ABB GROUP	DR. BY J.J.HARRISON CK. BY W.L.SMITH APP. BY W.L.SMITH DATE 04/15/10	A-C MOTOR PERFORMANCE DATA A36WG0752-R001 ISSUE DATE 04/16/18
--	---	--

C/R



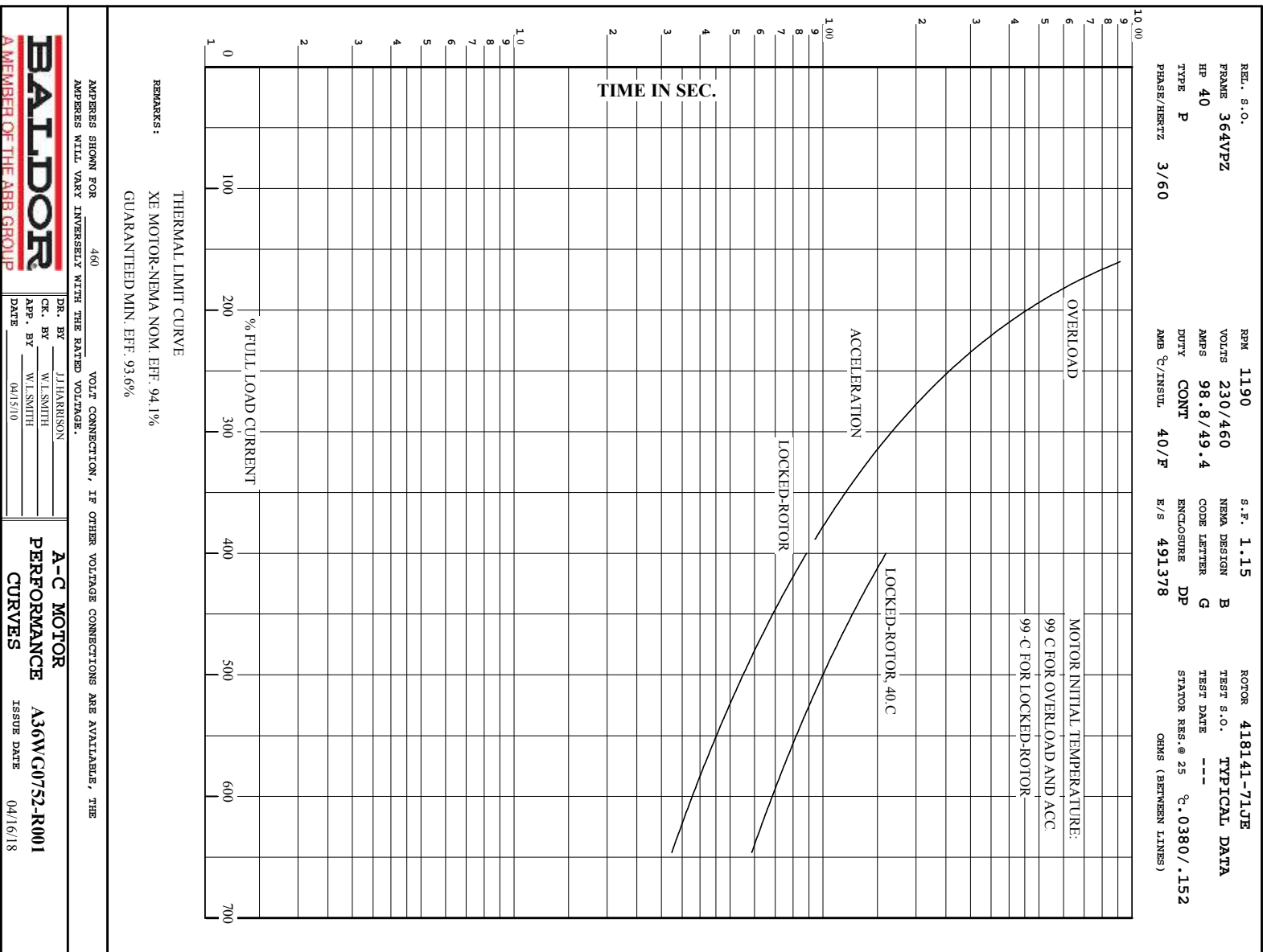
BALDOR
A MEMBER OF THE ABB GROUP

DR. BY J. HARRISON
CK. BY W. SMITH
APP. BY W. SMITH
DATE 04/15/10

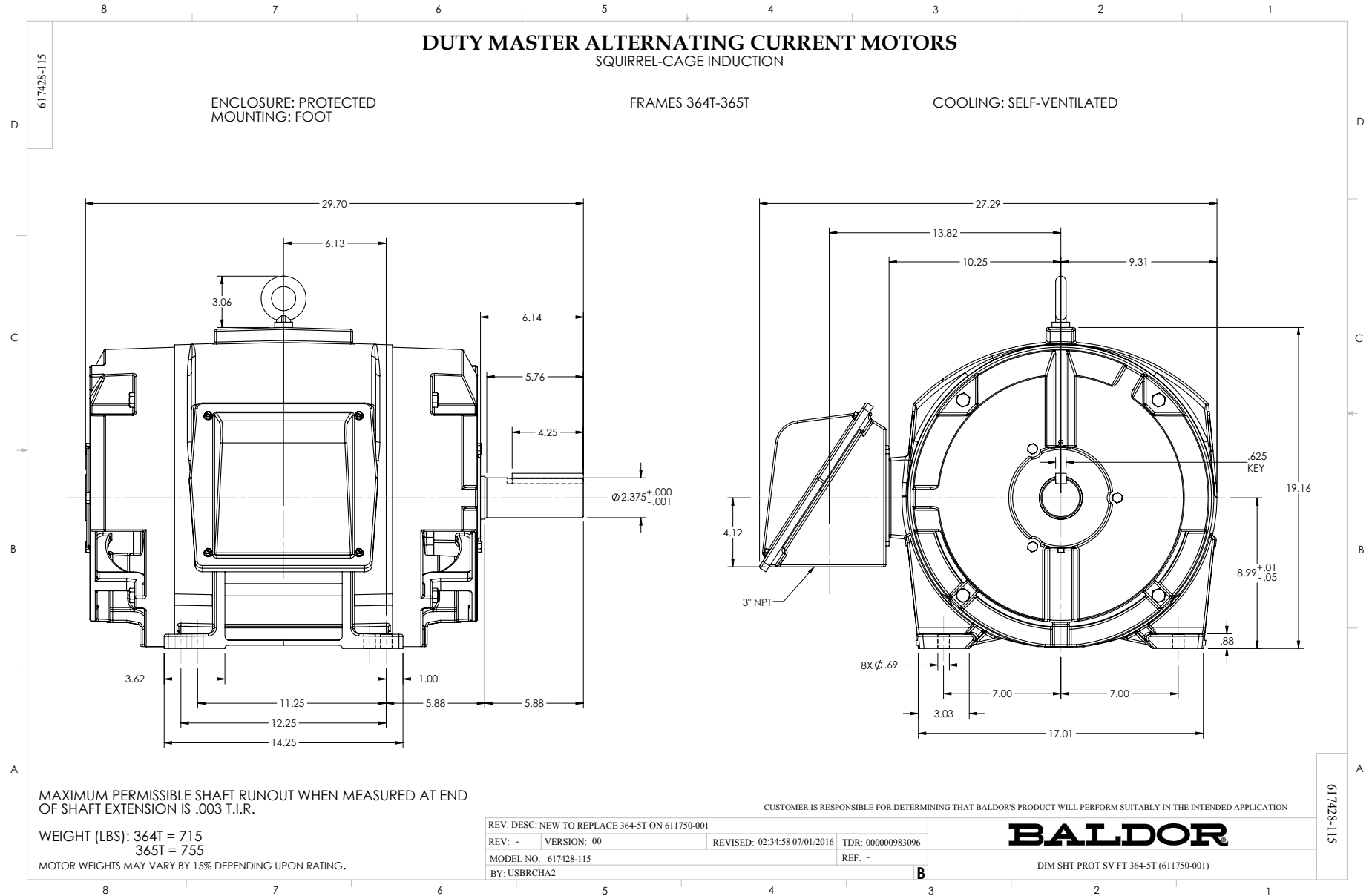
A-C MOTOR PERFORMANCE CURVES
A36W0752-R001
ISSUE DATE 04/16/18

C/R

Printed on 4/16/18 14:38 @ bengap01.baldor.com



C/R



Marketing maintained PDF of MN408:

<http://www.baldor.com/support/Literature/Load.ashx/MN408?ManNumber=MN408>

Marketing maintained PDF of MN416:

<http://www.baldor.com/support/Literature/Load.ashx/MN416?ManNumber=MN416>