

**BALDOR® • RELIANCE** 

**Product Information Packet**

**EM2552T-4**

**75HP, 1185RPM, 3PH, 60HZ, 405T, ODP, FOOT,**

Part Detail							
Revision:	M	Status:	PRD/A	Change #:		Proprietary:	No
Type:	AC	Elec. Spec:	A40WG0466	CD Diagram:	416820-008	Mfg Plant:	
Mech. Spec:		Layout:	611750-001	Poles:	06	Created Date:	10-19-2010
Base:		Eff. Date:	03-21-2018	Leads:	6#6		

Specs			
Enclosure:	DP	Heater Indicator:	No Heater
Frame:	405T	Insulation Class:	F
Frame Material:	Iron	Inverter Code:	Inverter Ready
Output @ Frequency:	75.000 HP @ 60 HZ	KVA Code:	G
Synchronous Speed @ Frequency:	1200 RPM @ 60 HZ	Lifting Lugs:	No Lifting Lugs
Voltage @ Frequency:	460.0 V @ 60 HZ	Motor Lead Quantity/Wire Size:	6 @ 6 AWG
XP Class and Group:	None	Motor Type:	A40064M
XP Division:	Not Applicable	Mounting Arrangement:	F1
Agency Approvals:	CSA EEV	Power Factor:	85
	CCSA US	Pulley End Bearing Type:	Ball
Auxillary Box:	No Auxillary Box	Pulley Face Code:	Standard
Base Indicator:	Rigid	Shaft Ground Indicator:	No Shaft Grounding
Bearing Grease Type:	Polyrex EM (-20F +300F)	Shaft Rotation:	Reversible
Current @ Voltage:	86.900 A @ 460.0 V	Shaft Slinger Indicator:	No Slinger
Design Code:	B	Speed Code:	Single Speed
Drip Cover:	No Drip Cover	Motor Standards:	NEMA
Duty Rating:	CONT	Starting Method:	Wye Start - Delta Run
Feedback Device:	NO FEEDBACK	Thermal Device - Bearing:	None

<b>Thermal Device - Winding:</b>	None
----------------------------------	------

Nameplate NP2383L									
CAT.NO.	EM2552T-4			SPEC NO.	P40G302				
HP	75	AMPS	86.9	VOLTS	460	DESIGN	B		
FRAME	405T	RPM	1185	HZ	60	AMB	40	SF	1.15
DRIVE END BEARING	80BC03J30X		PHASE	3	DUTY	CONT		INSUL.CLASS	F
OPP D.E. BEARING	80BC03J30X		TYPE	P	ENCL	DP	CODE	G	
SER.NO.				POWER FACTOR	85	NEMA-NOM-EFFICIENCY	95		
NEMA NOM/CSA QUOTED EFF				MAX CORR KVAR	15.0	GUARANTEED EFFICIENCY	94.5		
				MOTOR WEIGHT					

Parts List		
Part Number	Description	Quantity
SA209231	SA P40G302	1.000 EA
RA196493	RA P40G302	1.000 EA
000613006PU	N/P (RELEASE QTY 10,000) UL CSA LABEL	1.000 EA
000692000VD	LABEL WARNING	1.000 EA
NP2383L	SUPER-E ,SS, CC, CSA-C US, CSA EEV	1.000 EA
421948044	LABEL, MYLAR	1.000 EA
004824015A	GREASE POLYREX EM	0.884 LB
032018005AK	HHCS 1/4-20X5/8 PLATED	4.000 EA
032018020DK	HHCS 1/2-13X2-1/2 PLTD.	2.000 EA
032018026DK	HHCS 1/2-13X3-1/4L PLTD.	2.000 EA
032018030CK	HHCS 3/8-16X3-3/4 PLATED	3.000 EA
034000012AB	WSHR 1/4 STD. PLATED	4.000 EA
034017012AB	LCKW 1/4 STD. PLATED	4.000 EA
034600001AA	BUSH 1/4TO1/8 BLACK	1.000 EA
035000001G	GREASE RELIEF FITTING, ALEMITE 317400	1.000 EA
089407052A	BRKT 400 089407052WCB	1.000 EA
702609001A	BAFFL 400 SUB PAINT	1.000 EA
089407052A	BRKT 400 089407052WCB	1.000 EA
410700000DA	WAVY SPRING WASHER	1.000 EA
702609001A	BAFFL 400 SUB PAINT	1.000 EA
032018005AK	HHCS 1/4-20X5/8 PLATED	4.000 EA
032018020DK	HHCS 1/2-13X2-1/2 PLTD.	2.000 EA
032018026DK	HHCS 1/2-13X3-1/4L PLTD.	2.000 EA
032018030CK	HHCS 3/8-16X3-3/4 PLATED	3.000 EA

<b>Parts List (continued)</b>		
<b>Part Number</b>	<b>Description</b>	<b>Quantity</b>
034000012AB	WSHR 1/4 STD. PLATED	4.000 EA
034017012AB	LCKW 1/4 STD. PLATED	4.000 EA
034600001AA	BUSH 1/4TO1/8 BLACK	1.000 EA
035000001G	GREASE RELIEF FITTING, ALEMITE 317400	1.000 EA
032018004AK	HHCS 1/4-20X1/2 PLATED	4.000 EA
032018008CK	HHCS 3/8-16X1L PLATED	4.000 EA
033512004LB	HHTTS 1/4-20X1/2 PLTD.	1.000 EA
035000001A	ALFTG 1/8" 1610-BL	1.000 EA
035000001A	ALFTG 1/8" 1610-BL	1.000 EA
048897010DH	BUSH - 400	1.000 EA
077176000L	C/BOX, 360-400	1.000 EA
077176001A	CBOXC, PAINTED 360-400	1.000 EA
415000103D	T/LUG #4AWG-1/0AWG W/HOLE FOR .250 BOLT	1.000 EA
418150003A	GREASE FITTING CAP	1.000 EA
MG1025Y17	WILKOFAS, 789.701, SUPER E PEARL GOLD	0.250 GA
418150003A	GREASE FITTING CAP	1.000 EA
033775004EA	DRSCR #6-1/4 304 S.S.	4.000 EA
034180044JA	KEY 3/4X3/4X5-1/2 L	1.000 EA
PK5004A02	WOOD BASE 40X32 STACK 2X4 RUNNER	1.000 EA

<b>Accessories</b>		
<b>Part Number</b>	<b>Description</b>	<b>Multiplier</b>
089407053B	C-FACE BRKT 400 089407053WCA	P1
089407054B	D-FLANGE BRKT 400 089407054WCA, D-FLG	P1

REL. S.O.	FRAME	HP	TYPE	PHASE/HERTZ	RPM	VOLTS
	405T	75	P	3/60	1185	460
AMPS	DUTY	AMB °C/ INSUL.	S.F.	NEMA DESIGN	CODE LETTER	ENCL.
86.9	CONT	40/F	1.15	B	G	ODP
E/S	ROTOR	TEST S.O.	TEST DATE	STATOR RES. @25 °C (BETWEEN LINES)		
496415	418142-71-BE	---	---	.0860		

PERFORMANCE						
LOAD	HP	AMPERES	RPM	POWER FACTOR %	EFFICIENCY %	
NO LOAD	0	31.0	1200	4.11	0	
1/4	18.8	37.2	1197	51.1	92.5	
2/4	37.5	50.7	1194	73.0	95.0	
3/4	56.2	67.7	1190	81.6	95.3	
4/4	75.0	86.9	1187	85.1	95.0	
5/4	93.8	108	1183	86.2	94.4	

SPEED TORQUE						
	RPM	TORQUE % FULL LOAD	TORQUE LB.-FT.	AMPERES		
LOCKED ROTOR	0	165	549	541		
PULL UP	400	156	519	509		
BREAKDOWN	1132	243	808	302		
FULL LOAD	1187	100	332	86.9		

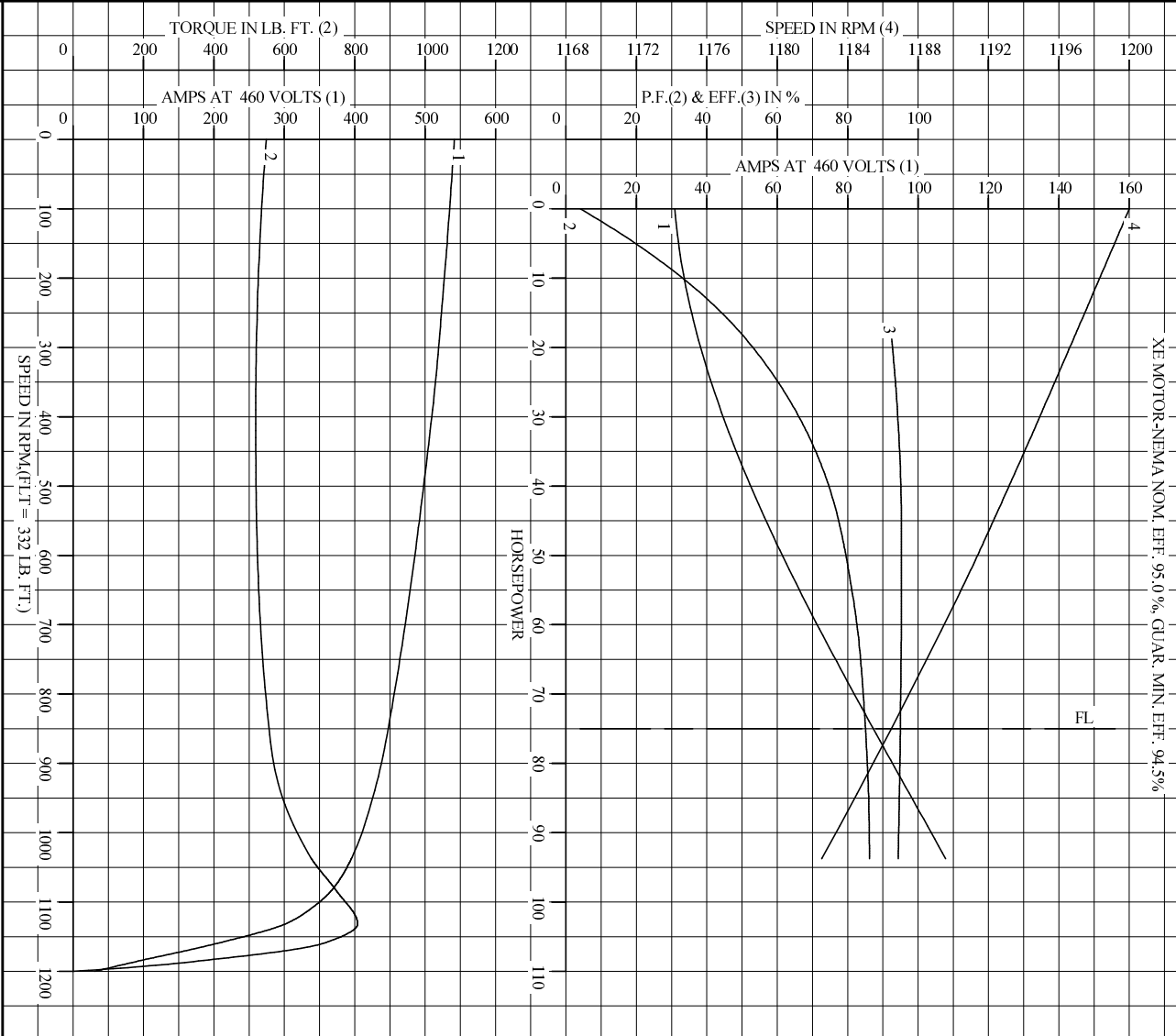
AMPERES SHOWN FOR 460. VOLT CONNECTION. IF OTHER VOLTAGE CONNECTIONS ARE AVAILABLE, THE AMPERES WILL VARY INVERSELY WITH THE RATED VOLTAGE

REMARKS: TYPICAL DATA  
XE MOTOR-NEMA NOM. EFF. 95.0 %, GUAR. MIN. EFF. 94.5%

<b>BALDOR</b>	DR. BY J.J.HARRISON	<b>A-C MOTOR</b>	
	CK. BY W.I.SMITH		<b>PERFORMANCE DATA</b>
	APP. BY W.I.SMITH		A40WG0466-R001
DATE 09/08/09		ISSUE DATE 12/15/10	



REL. S.O.	RPM 1185	S.F. 1.15	ROTOR 418142-71-EE
FRAME 405T	VOLTS 460	NEMA DESIGN B	TEST S.O. TYPICAL DATA
HP 75	AMPS 86.9	CODE LETTER G	TEST DATE ---
TYPE P	DUTY CONT	ENCLOSURE ODP	STATOR RES. @ 25 °C .0860
PHASE/HERTZ 3/60	AMB °C/INSUL 40/F	E/S 496415	OHMS (BETWEEN LINES)

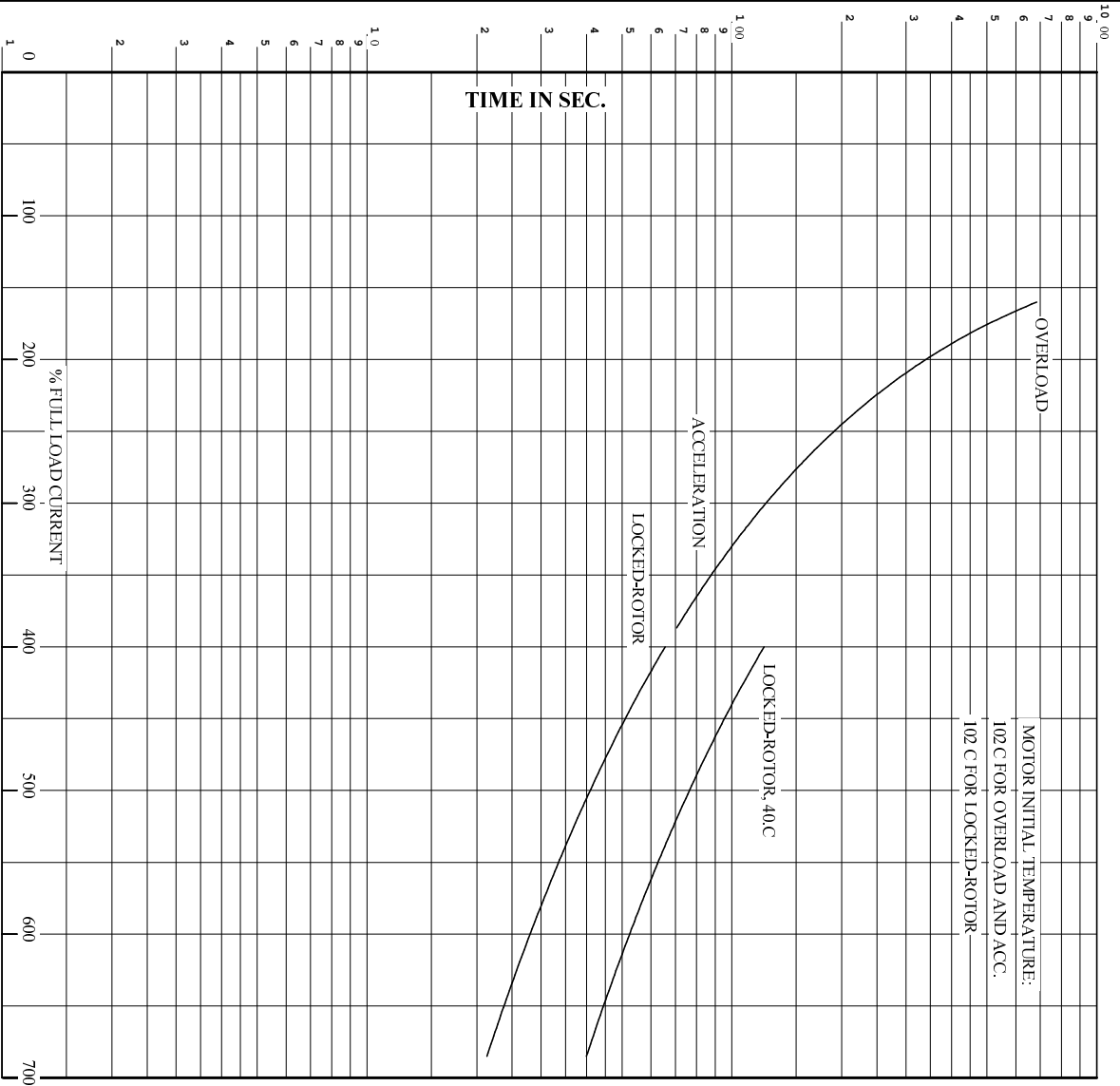


AMPERES SHOWN FOR 460 VOLT CONNECTION, IF OTHER VOLTAGE CONNECTIONS ARE AVAILABLE, THE AMPERES WILL VARY INVERSELY WITH THE RATED VOLTAGE.

<b>BALDOR</b>	DR. BY J.HARRISON	<b>A-C MOTOR PERFORMANCE CURVES</b>	MODEL A40W/G0466-R001
	CK. BY W.L.SMITH		ISSUE DATE 12/15/10
	APP. BY W.L.SMITH		
	DATE 09/08/09		

Printed on 12/15/10 23:01 @ psecs-motoreng

REL. S.O. . . . . RPM 1185 . . . . . S.F. 1.15 . . . . . ROTOR 418142-71-EE  
 FRAME 405T . . . . . VOLTS 460 . . . . . NEMA DESIGN B . . . . . TEST S.O. TYPICAL DATA  
 HP 75 . . . . . AMPS 86.9 . . . . . CODE LETTER G . . . . . TEST DATE ---  
 TYPE P . . . . . DUTY CONT . . . . . ENCLOSURE ODP . . . . . STATOR RES. @ 25 C. .0860  
 PHASE/HERTZ 3/60 . . . . . AMB C/INSUL 40/F . . . . . E/S 496415 . . . . . OHMS (BETWEEN LINES)



REMARKS: THERMAL LIMIT CURVE  
 XE MOTOR-NEMA NOM. EFF. 95.0%, GUAR. MIN. EFF. 94.5%

AMPERES SHOWN FOR 460 VOLT CONNECTION, IF OTHER VOLTAGE CONNECTIONS ARE AVAILABLE, THE AMPERES WILL VARY INVERSELY WITH THE RATED VOLTAGE.



DR. BY J.HARRISON  
 CK. BY W.L.SMITH  
 App. BY W.L.SMITH  
 DATE 09/08/09

**A-C MOTOR**  
**PERFORMANCE** A40WG0466-R001  
**CURVES** ISSUE DATE 12/15/10

611750-001

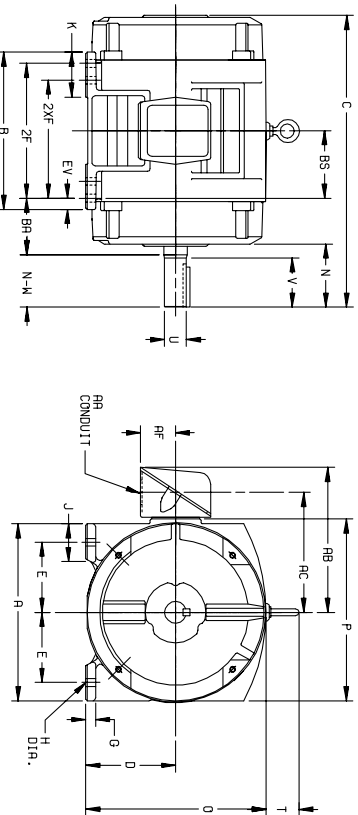
# DUTY MASTER ALTERNATING CURRENT MOTORS

SQUIRREL-CAGE INDUCTION

ENCLOSURE: PROTECTED  
MOUNTING: FOOT

FRAMES 250T THRU 440T

COOLING: SELF-VENTILATED



DIMENSIONS ARE IN INCHES

FRAME	A	D(2)	E	G	H	J	K	O	P	T	STEEL TERMINAL BOX						WEIGHT LBS. (5)
											AA	AB	AC	AF	BA	EA	
254T-256T	12.50	6.25	5.00	.69	.56	2.25	3.50	12.81	12.89	2.44	1-1/4	10.19	8.19	2.50	4.25	.62	
284T-286T	14.00	7.00	5.50	.75	.56	2.75	3.75	14.12	14.31	2.44	1-1/2	12.19	9.44	3.19	4.75	1.00	
324T-326T	15.75	8.00	6.25	.88	.69	3.12	4.00	16.10	16.42	2.44	2	14.25	10.75	4.25	5.25	1.00	
364T-366T	17.00	9.00	7.00	.88	.69	3.00	3.62	18.30	19.56	2.94	3	18.06	14.00	5.38	5.88	1.00	
404T-405T	19.00	10.00	8.00	1.12	.81	3.25	4.75	20.56	21.81	2.94	3	19.06	15.00	4.38	6.62	1.12	
444T-445T	21.00	11.00	9.00	1.12	.81	3.25	5.25	22.91	23.62	3.25	3	22.62	17.38	5.50	7.50	1.25	

FRAME	SIZE	C	BS	B	ZF	ZXF	N	N-W(6)	SHAFT AND KEY			WEIGHT LBS. (5)
									U(3)	V	SQ.	
254T	22.44	5.00	11.25	---	8.25	4.25	4.00	1.625	3.75	.375	2.75	.265
256T	22.44	5.00	11.25	10.00	---	4.25	4.00	1.625	3.75	.375	2.75	.275
284T	24.94	5.50	13.00	---	9.50	4.88	4.62	1.875	4.38	.500	3.25	.340
286T	24.94	5.50	13.00	---	9.50	4.88	4.62	1.875	4.38	.500	3.25	.370
286T	23.56	5.50	13.00	11.00	---	3.50	3.25	1.625	3.00	.375	1.88	.370
324T	27.56	6.00	14.00	---	10.50	5.50	3.25	2.125	5.00	.500	3.75	.465
324T	26.06	6.00	14.00	---	10.50	4.00	3.75	1.875	3.50	.500	2.00	.505
326T	27.56	6.00	14.00	12.00	---	5.50	3.25	2.125	5.00	.500	3.75	.505
326T	26.06	6.00	14.00	---	12.00	4.00	3.75	1.875	3.50	.500	2.00	.505
364T	28.70	6.12	14.25	---	11.25	6.12	3.88	2.375	5.62	.825	4.25	.710
364T	27.56	6.12	14.25	12.25	---	6.12	3.88	2.375	5.62	.825	4.25	.755
365T	29.70	6.12	14.25	---	12.25	4.00	3.75	1.875	3.50	.500	2.00	.750
365T	27.56	6.12	14.25	12.25	---	4.00	3.75	1.875	3.50	.500	2.00	.750
404T	34.00	6.88	16.00	---	12.25	4.62	4.25	2.125	7.00	.750	5.50	1.020
404T	34.00	6.88	16.00	---	12.25	4.62	4.25	2.125	7.00	.750	5.50	1.065
405T	34.00	6.88	16.00	13.75	---	7.62	4.25	2.125	7.00	.500	2.75	1.065
405T	31.00	6.88	16.00	---	13.75	4.62	4.25	2.125	7.00	.500	2.75	1.060
444T	39.56	8.25	19.00	---	14.50	8.94	8.50	3.375	8.25	.875	6.88	1.715
444T	35.81	8.25	19.00	---	14.50	8.19	4.75	3.375	8.25	.875	3.00	1.750
445T	39.56	8.25	19.00	---	16.50	8.94	8.50	3.375	8.25	.875	6.88	1.750
445T	35.81	8.25	19.00	---	16.50	8.19	4.75	3.375	8.25	.875	3.00	1.750

- (1) SPECIAL DIMENSIONS APPLYING TO THIS ORDER ON THIS LINE.
- (2) "D" VARIES [ 290T - 320T +.00, -.03.
- (3) "U" VARIES +.000, -.001
- (4) ALL FRAMES HAVE EIGHT MOUNTING HOLES FOR DUAL MOUNTING.
- (5) MOTOR WEIGHTS MAY VARY BY 15% DEPENDING UPON RATING.

CONDUIT BOX LOCATED ON OPPOSITE SIDE WHEN F-2-W-1, W-4-W-5-W-7, OR C-1 MOUNTING IS SPECIFIED.  
IF MOUNTING CLEARANCE DETAILS ARE REQUIRED, CONSULT FACTORY.  
MAXIMUM PERMISSIBLE SHAFT RUNOUT WHEN MEASURED AT END OF STD. SHAFT EXTENSION IS .002 T.I.R. UP TO AND INCLUDING 1.625 DIA. AND .005 T.I.R. ABOVE 1.625 TO 5 INCH DIA.

FRAMES "N"-W VARIES +.00, -.25  
ITEM \_\_\_\_\_ HP \_\_\_\_\_ CERTIFIED FOR \_\_\_\_\_ RPM \_\_\_\_\_ PH \_\_\_\_\_ HZ \_\_\_\_\_ VOLTS \_\_\_\_\_  
SALES ORDER \_\_\_\_\_ APPROVED BY \_\_\_\_\_ DATE \_\_\_\_\_

100-0057119

CUSTOMER IS RESPONSIBLE FOR DETERMINING THAT BALDOR'S PRODUCT WILL PERFORM SUITABLY IN THE INTENDED APPLICATION.

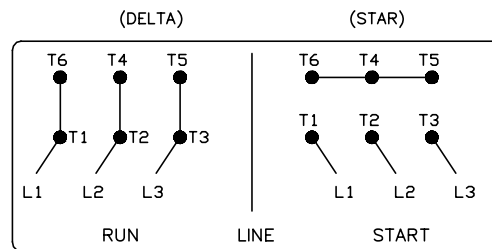
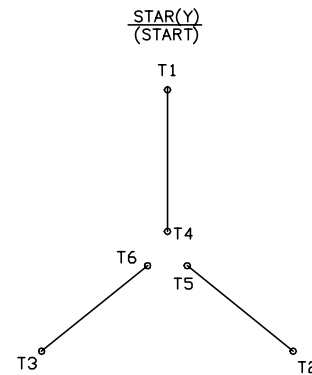
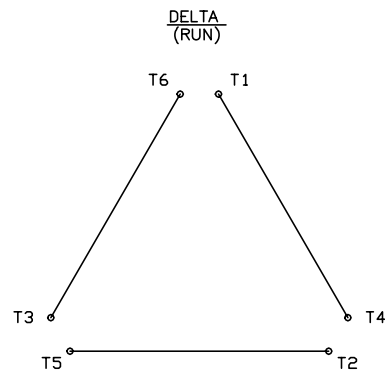
REV. DESC: ASSIGNED TO BUSLOAD	VERSION: 01	TDR: 000000489455	<b>Baldor • Dodge • Reliance</b> DIM SHT PROT SV FT 250-440T SH 1 of 1
REV. LTR: A	REVISED: 15:03:33 02/02/2009	BY: RAG2JR	
FILE: \RAG\00008\297			

416820-008

# A-C MOTOR CONNECTION DIAGRAM

STANDARD 6 LEAD

Y START - DELTA RUN



< N. P. 1767-DC >

416820-008

REV. DESC: ADDED T4 TO Y CONNECT DIAGRAM		
REV. LTR: D	VERSION: 04	TDR: 00000847713
FILE: \RAG\00001\808	REVISED: 10: 41: 26 04/08/2014	BY: RAGJSS1
MTL: -	Ⓢ □	



CONNECT DIAGRAM STD 6 LEAD Y START DELTA RUN

SH 1 of 1

Marketing maintained PDF of MN408:

<http://www.baldor.com/support/Literature/Load.ashx/MN408?ManNumber=MN408>

Marketing maintained PDF of MN416:

<http://www.baldor.com/support/Literature/Load.ashx/MN416?ManNumber=MN416>