

BALDOR® • RELIANCE 

Product Information Packet

EM2548T-4CI

60HP, 1185RPM, 3PH, 60HZ, 404T, M400MAG, OPEN,

Part Detail							
Revision:	K	Status:	PRD/A	Change #:		Proprietary:	No
Type:	AC	Elec. Spec:	A40WG0475	CD Diagram:	416820-008	Mfg Plant:	
Mech. Spec:		Layout:	611750-001	Poles:	06	Created Date:	10-19-2010
Base:		Eff. Date:	02-24-2017	Leads:	6#6		

Specs			
Enclosure:	DP	Heater Indicator:	No Heater
Frame:	404T	Insulation Class:	F
Frame Material:	Iron	Inverter Code:	Inverter Ready
Output @ Frequency:	60.000 HP @ 60 HZ	KVA Code:	G
Synchronous Speed @ Frequency:	1200 RPM @ 60 HZ	Lifting Lugs:	No Lifting Lugs
Voltage @ Frequency:	460.0 V @ 60 HZ	Motor Lead Quantity/Wire Size:	6 @ 6 AWG
XP Class and Group:	None	Motor Type:	A40052M
XP Division:	Not Applicable	Mounting Arrangement:	F1
Agency Approvals:	CSA EEV	Power Factor:	84
	CCSA US	Pulley End Bearing Type:	Ball
Auxillary Box:	No Auxillary Box	Pulley Face Code:	C-Face
Base Indicator:	Rigid	Shaft Ground Indicator:	No Shaft Grounding
Bearing Grease Type:	Polyrex EM (-20F +300F)	Shaft Rotation:	Reversible
Current @ Voltage:	70.400 A @ 460.0 V	Shaft Slinger Indicator:	No Slinger
Design Code:	B	Speed Code:	Single Speed
Drip Cover:	No Drip Cover	Motor Standards:	NEMA
Duty Rating:	CONT	Starting Method:	Wye Start - Delta Run
Feedback Device:	NO FEEDBACK	Thermal Device - Bearing:	None

Thermal Device - Winding:	None
----------------------------------	------

Nameplate NP2381L			
SPEC NO.	P40G4411	CAT.NO.	EM2548T-4CI
HP	60	PHASE	3
RPM	1185	HZ	60
VOLTS	460	DUTY	CONT
AMPS	70.4	ENCL	DP
DRIVE END BEARING	80BC03J30X	NEMA-NOM-EFFICIENCY	95
OPP D.E. BEARING	80BC03J30X		
SER.NO.			
			MOTOR WEIGHT 1009

Parts List		
Part Number	Description	Quantity
SA206547	SA P40G4411	1.000 EA
RA193814	RA P40G4411	1.000 EA
000613006PU	N/P (RELEASE QTY 10,000) UL CSA LABEL	1.000 EA
NP2381L	SUPER-E ,SS, CSA,CSA SUPER-3	1.000 EA
000692000VD	LABEL WARNING	1.000 EA
004824015A	GREASE POLYREX EM	0.884 LB
032018010AK	HHCS 1/4-20X1-1/4L PLTD.	4.000 EA
032018020DK	HHCS 1/2-13X2-1/2 PLTD.	2.000 EA
032018026DK	HHCS 1/2-13X3-1/4L PLTD.	2.000 EA
032018030CK	HHCS 3/8-16X3-3/4 PLATED	3.000 EA
034000012AB	WSHR 1/4 STD. PLATED	4.000 EA
034017012AB	LCKW 1/4 STD. PLATED	4.000 EA
035000001A	ALFTG 1/8" 1610-BL	1.000 EA
035000001A	ALFTG 1/8" 1610-BL	1.000 EA
034690002AB	PPLG 1/4" PLTD.	1.000 EA
089407052A	BRKT 400 089407052WCB	1.000 EA
405851012AD	SPACE	4.000 EA
410700000DA	WAVY SPRING WASHER	1.000 EA
702609001A	BAFFL 400 SUB PAINT	1.000 EA
032018010AK	HHCS 1/4-20X1-1/4L PLTD.	4.000 EA
032018020DK	HHCS 1/2-13X2-1/2 PLTD.	2.000 EA
032018026DK	HHCS 1/2-13X3-1/4L PLTD.	2.000 EA
032018030CK	HHCS 3/8-16X3-3/4 PLATED	3.000 EA
034000012AB	WSHR 1/4 STD. PLATED	4.000 EA

Parts List (continued)		
Part Number	Description	Quantity
034017012AB	LCKW 1/4 STD. PLATED	4.000 EA
034690002AB	PPLG 1/4" PLTD.	1.000 EA
089407052A	BRKT 400 089407052WCB	1.000 EA
405851012AD	SPACE	4.000 EA
702609001A	BAFFL 400 SUB PAINT	1.000 EA
032018010CK	HHCS 3/8-16X1-1/4 PLTD.	4.000 EA
033512008LB	HHTTS 1/4-20X1 PLATED	4.000 EA
048897010DH	BUSH - 400	1.000 EA
067053000B	GASK 320-400	1.000 EA
076708000BB	C/B - 360	1.000 EA
076709000A	C/B Cover - 360	1.000 EA
415000103H	415000103H	1.000 EA
MG1025Y17	WILKOFAS, 789.701, SUPER E PEARL GOLD	0.250 GA
033775004EA	DRSCR #6-1/4 304 S.S.	4.000 EA
034180044JA	KEY 3/4X3/4X5-1/2 L	1.000 EA
421948044	LABEL, MYLAR	1.000 EA
PK5004A02	WOOD BASE 40X32 STACK 2X4 RUNNER	1.000 EA
032018005DL	1/2-13 X 5/8 SILICON BRONZE HHCS	1.000 EA

REL. S.O.	FRAME	HP	TYPE	PHASE/HERTZ	RPM	VOLTS
	404T	60	P	3/60	1185	460
AMPS	DUTY	AMB °C/ INSUL.	S.F.	NEMA DESIGN	CODE LETTER	ENCL.
70.4	CONT	40/F	1.15	B	G	PROT
E/S	ROTOR	TEST S.O.	TEST DATE	STATOR RES. @25 °C (OHMS (BETWEEN LINES))		
595867	418142-71-DE	---	---	.115		

PERFORMANCE						
LOAD	HP	AMPERES	RPM	POWER FACTOR %	EFFICIENCY %	
NO LOAD	0	26.0	1200	4.46	0	
1/4	15.0	30.9	1197	49.7	91.6	
2/4	30.0	41.5	1193	71.7	94.4	
3/4	45.0	55.0	1190	80.7	94.8	
4/4	60.0	70.4	1186	84.4	94.6	
5/4	75.0	87.3	1182	85.6	94.0	

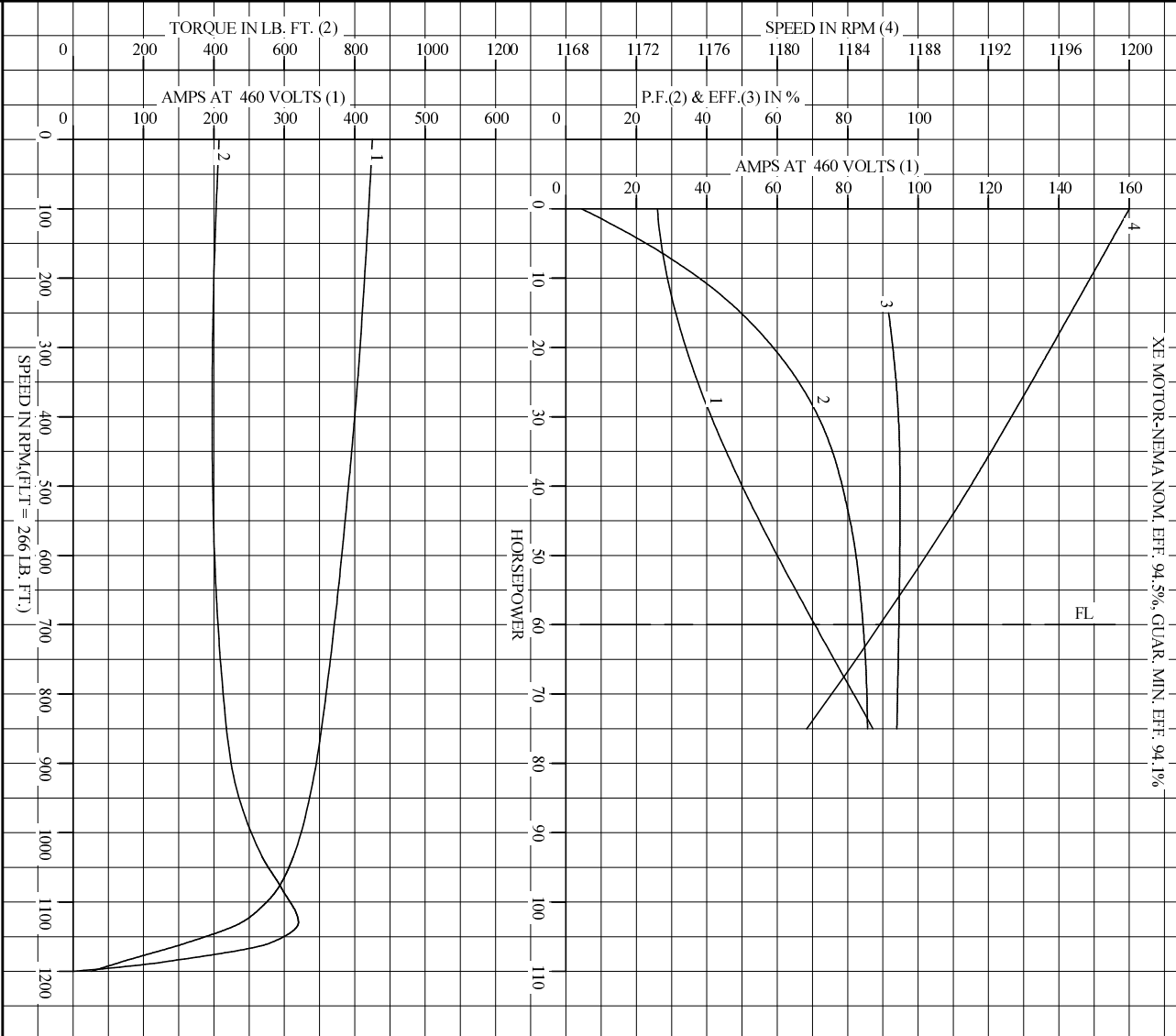
SPEED TORQUE						
	RPM	TORQUE % FULL LOAD	TORQUE LB.-FT.	AMPERES		
LOCKED ROTOR	0	156	415	425		
PULL UP	400	149	395	400		
BREAKDOWN	1130	241	640	239		
FULL LOAD	1186	100	266	70.4		

AMPERES SHOWN FOR 460. VOLT CONNECTION. IF OTHER VOLTAGE CONNECTIONS ARE AVAILABLE, THE AMPERES WILL VARY INVERSELY WITH THE RATED VOLTAGE

REMARKS: TYPICAL DATA
 XE MOTOR-NEMA NOM. EFF. 94.5%, GUAR. MIN. EFF. 94.1%

BALDOR	DR. BY J.J. HARRISON	A-C MOTOR
	CK. BY W.I. SMITH	
	APP. BY W.I. SMITH	PERFORMANCE DATA
	DATE 07/21/09	ISSUE DATE 12/15/10

REL. S.O. _____ RPM 1185 S.F. 1.15 ROTOR 418142-71-DE
 FRAME 404T VOLTS 460 NEMA DESIGN B TEST S.O. TYPICAL DATA
 HP 60 AMPS 70.4 DUTY CONT G CODE LETTER
 TYPE P ENCLOSURE PROT STATOR RES. @ 25 °C .115
 PHASE/HERTZ 3/60 AMB °C/INSUL 40/F E/S 595867 OHMS (BETWEEN LINES)



AMPERES SHOWN FOR 460 VOLT CONNECTION, IF OTHER VOLTAGE CONNECTIONS ARE AVAILABLE, THE AMPERES WILL VARY INVERSELY WITH THE RATED VOLTAGE.

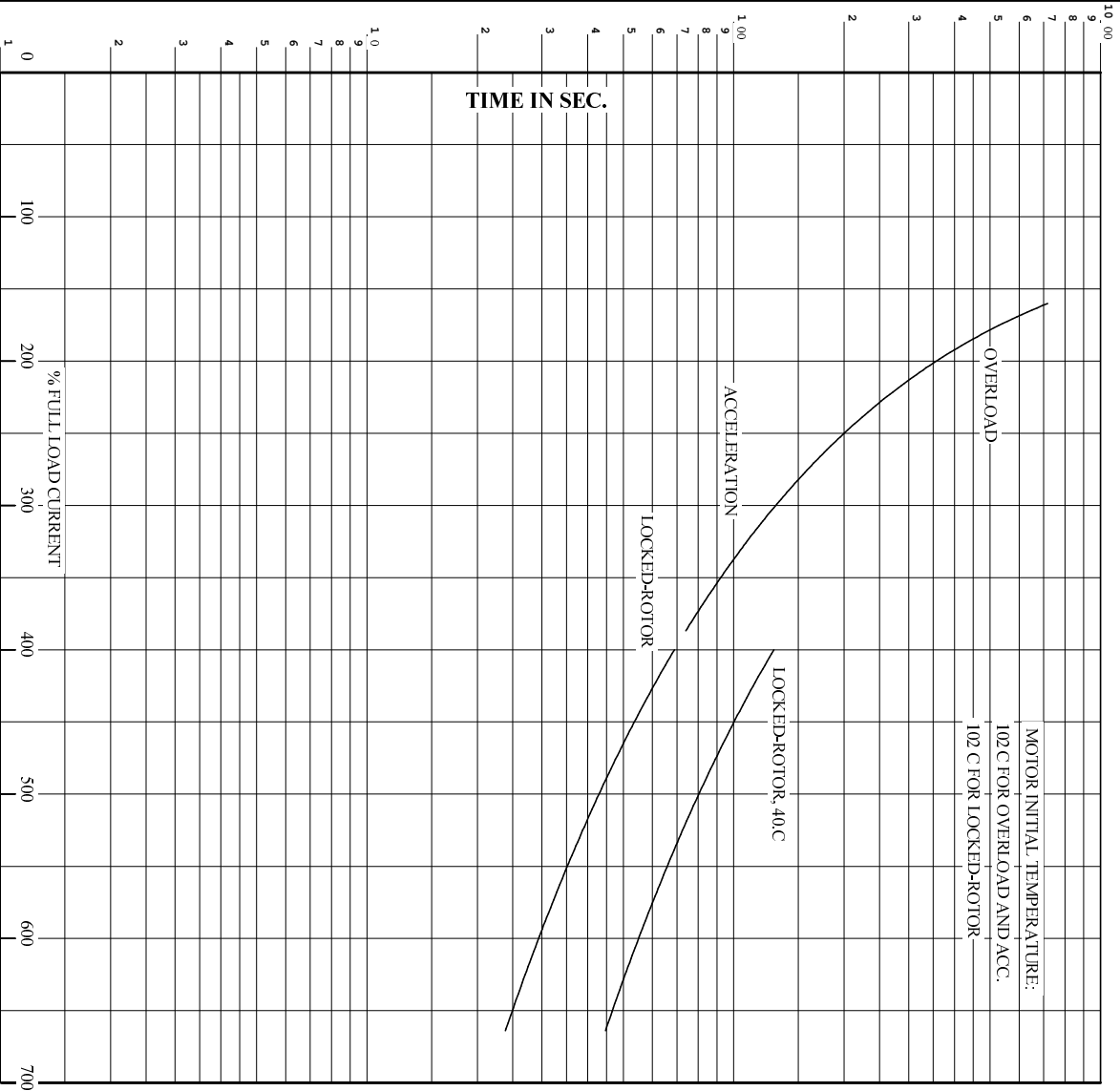


DR. BY J.HARRISON
 CK. BY W.L.SMITH
 App. BY W.L.SMITH
 DATE 07/21/09

A-C MOTOR
PERFORMANCE
CURVES
 A40W/G047S-R001
 ISSUE DATE 12/15/10

Printed on 12/15/10 23:11 @ psecs-motorengr

RET. S.O. RPM 1185 S.F. 1.15 ROTOR 418142-71-DE
 FRAME 404T VOLTS 460 NEMA DESIGN B TEST S.O. TYPICAL DATA
 HP 60 AMPS 70.4 CODE LETTER G TEST DATE ---
 TYPE P DUTY CONT ENCLOSURE PROT STATOR RES. @ 25 C. 115
 PHASE/HERTZ 3/60 AMB C/INSUL 40/F E/S 595867 OHMS (BETWEEN LINES)



REMARKS: THERMAL LIMIT CURVE
 XE MOTOR-NEMA NOM. EFF. 94.5% GUAR. MIN. EFF. 94.1%

AMPERES SHOWN FOR 460 VOLT CONNECTION, IF OTHER VOLTAGE CONNECTIONS ARE AVAILABLE, THE AMPERES WILL VARY INVERSELY WITH THE RATED VOLTAGE.



DR. BY J.HARRISON
 CK. BY W.L.SMITH
 App. BY W.L.SMITH
 DATE 07/21/09

A-C MOTOR
PERFORMANCE
CURVES
A40WG047S-R001
 ISSUE DATE 12/15/10

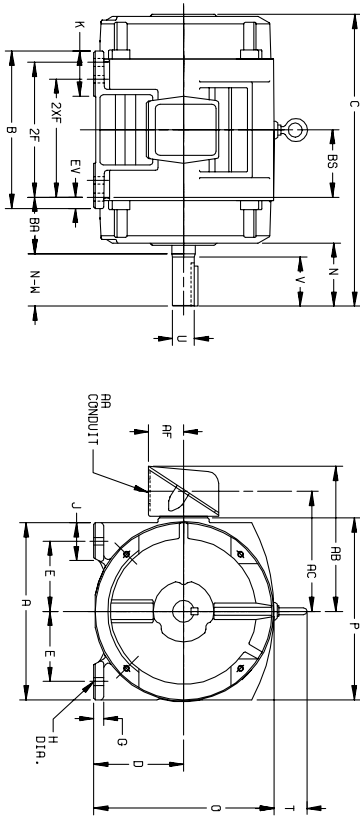
611750-001

DUTY MASTER ALTERNATING CURRENT MOTORS

ENCLOSURE: PROTECTED
MOUNTING: FOOT

FRAMES 250T THRU 440T

COOLING: SELF-VENTILATED



DIMENSIONS ARE IN INCHES

FRAME	A	D(2)	E	G	H	J	K	N	O	P	T	STEEL TERMINAL BOX						WEIGHT LBS. (5)
												AA	AB	AC	AF	BA	EA	
254T-256T	12.50	6.25	5.00	.69	.56	2.25	3.50	12.81	12.69	2.44	1-1/4	10.19	8.19	2.50	4.25	.62		
284T-286T	14.00	7.00	5.50	.75	.56	2.75	3.75	14.12	14.31	2.44	1-1/2	12.19	9.44	3.19	4.75	1.00		
324T-326T	15.75	8.00	6.25	.88	.69	3.12	4.00	16.10	16.42	2.44	2	14.25	10.75	4.25	5.25	1.00		
364T-366T	17.00	9.00	7.00	.88	.69	3.00	3.62	18.30	19.56	2.94	3	18.06	14.00	5.38	5.88	1.00		
404T-406T	19.00	10.00	8.00	1.12	.81	3.25	4.75	20.56	21.81	2.94	3	19.06	15.00	4.38	6.62	1.12		
444T-446T	21.00	11.00	9.00	1.12	.81	3.25	5.25	22.91	23.62	3.25	3	22.62	17.38	5.50	7.50	1.25		

FRAME	SIZE	C	BS	B	ZF	N	ZF	N	N-W(6)	SHAFT AND KEY			WEIGHT LBS. (5)
										U(3)	V	SQ.	
254T	22.44	5.00	11.25	---	8.25	4.25	4.00	1.625	3.75	.375	2.75	.265	
284T	24.94	5.50	13.00	---	9.50	4.88	4.00	1.625	3.75	.375	2.75	.275	
284T	23.56	5.50	13.00	---	9.50	3.50	3.25	1.625	3.00	.375	1.88	.340	
286T	24.94	5.50	13.00	---	9.50	4.88	4.62	1.875	4.38	.500	3.25	.370	
286T	23.56	5.50	13.00	---	9.50	3.50	3.25	1.625	3.00	.375	1.88	.370	
324T	27.56	6.00	14.00	---	10.50	5.50	3.25	2.125	5.00	.500	3.75	.465	
324T	26.06	6.00	14.00	---	10.50	4.00	3.75	1.875	3.50	.500	2.00	.465	
326T	27.56	6.00	14.00	---	12.00	5.50	3.25	2.125	5.00	.500	3.75	.505	
326T	26.06	6.00	14.00	---	12.00	4.00	3.75	1.875	3.50	.500	2.00	.505	
364T	28.70	6.12	14.25	---	11.25	6.12	3.88	2.375	5.62	.625	4.25	.710	
364T	27.56	6.12	14.25	---	11.25	5.88	2.375	5.62	.625	.625	4.25	.755	
365T	29.70	6.12	14.25	---	12.25	6.12	3.88	2.375	7.00	.750	5.50	1.020	
365T	27.56	6.12	14.25	---	12.25	5.88	2.375	5.62	.625	.625	4.25	.755	
404T	34.00	6.88	16.00	---	12.25	7.62	4.25	2.875	7.00	.750	5.50	1.020	
404T	34.00	6.88	16.00	---	12.25	6.62	4.25	2.875	7.00	.750	5.50	1.065	
405T	34.00	6.88	16.00	---	13.75	7.62	4.25	2.875	7.00	.750	5.50	1.065	
405T	31.00	6.88	16.00	---	13.75	6.62	4.25	2.125	4.00	.500	2.75	1.060	
444T	39.56	8.25	19.00	---	14.50	8.94	8.50	3.375	8.25	.875	6.88	1.715	
444T	35.81	8.25	19.00	---	14.50	8.19	4.75	3.375	4.50	.625	3.00	1.750	
445T	39.56	8.25	19.00	---	16.50	8.94	8.50	3.375	8.25	.875	6.88	1.750	
445T	35.81	8.25	19.00	---	16.50	8.19	4.75	3.375	8.25	.875	6.88	1.750	

- (1) SPECIAL DIMENSIONS APPLYING TO THIS ORDER ON THIS LINE.
- (2) "D" VARIES [290T - 320T +.00, -.03.
- (3) "U" VARIES +.000, -.001
- (4) ALL FRAMES HAVE EIGHT MOUNTING HOLES FOR DUAL MOUNTING.
- (5) MOTOR WEIGHTS MAY VARY BY 15% DEPENDING UPON RATING.

CONDUIT BOX LOCATED ON OPPOSITE SIDE WHEN F-2-W-1, W-4-W-5-W-7, OR C-1 MOUNTING IS SPECIFIED.
IF MOUNTING CLEARANCE DETAILS ARE REQUIRED, CONSULT FACTORY.MAXIMUM PERMISSIBLE SHAFT RUNOUT WHEN MEASURED AT END OF STD. SHAFT EXTENSION IS .002 T.I.R. UP TO AND INCLUDING 1.625 DIA. AND .005 T.I.R. ABOVE 1.625 TO 5 INCH DIA.

FRAMES "N"-W VARIES +.00, -.25
ITEM _____ HP _____ CERTIFIED FOR _____ RPM _____ PH _____ HZ _____ VOLTS _____
SALES ORDER _____ APPROVED BY _____ DATE _____

100-0571119

CUSTOMER IS RESPONSIBLE FOR DETERMINING THAT BALDOR'S PRODUCT WILL PERFORM SUITABLY IN THE INTENDED APPLICATION.

REV. DESC: ASSIGNED TO BUSLOAD	VERSION: 01	TDR: 000000489455
REV. LTR: A	REVISED: 15:03:33 02/02/2009	BY: RAG2JR
FILE: \RAG\00008\297		
MTL: -		

Baldor • Dodge • Reliance

DIM SHT PROT SV FT 250-440T

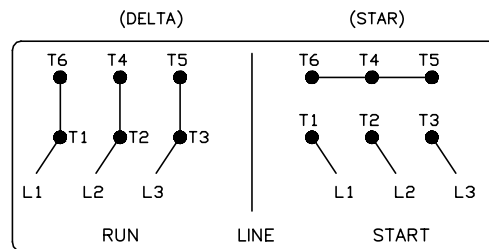
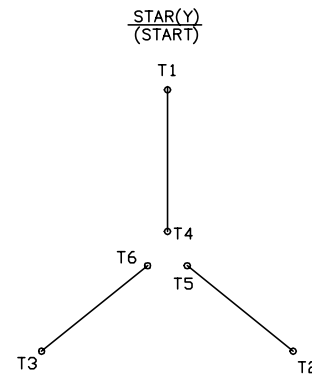
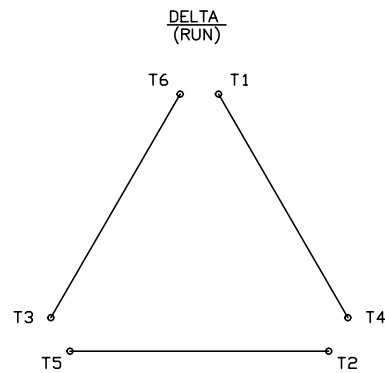
SH 1 of 1

416820-008

A-C MOTOR CONNECTION DIAGRAM

STANDARD 6 LEAD

Y START - DELTA RUN



< N. P. 1767-DC >

416820-008

REV. DESC: ADDED T4 TO Y CONNECT DIAGRAM		
REV. LTR: D	VERSION: 04	TDR: 00000847713
FILE: \RAG\00001\808	REVISED: 10: 41: 26 04/08/2014	BY: RAGJSS1
MTL: -	Ⓢ □	

BALDOR

CONNECT DIAGRAM STD 6 LEAD Y START DELTA RUN

SH 1 of 1

Marketing maintained PDF of MN408:

<http://www.baldor.com/support/Literature/Load.ashx/MN408?ManNumber=MN408>

Marketing maintained PDF of MN416:

<http://www.baldor.com/support/Literature/Load.ashx/MN416?ManNumber=MN416>