

# PRODUCT INFORMATION PACKET



Model No: P4C17FZ7M

Catalog No: 101120.00

1/2HP..1725RPM.48.TEFC.115/208-230V.1PH.60HZ.CONT.MANUAL.40C.1.15SF.ROUND.AG - FEED-AUGER.P4C17FZ7M

Auger Drive



Regal and Leeson are trademarks of Regal Beloit Corporation or one of its affiliated companies.

©2018 Regal Beloit Corporation, All Rights Reserved. MC017097E



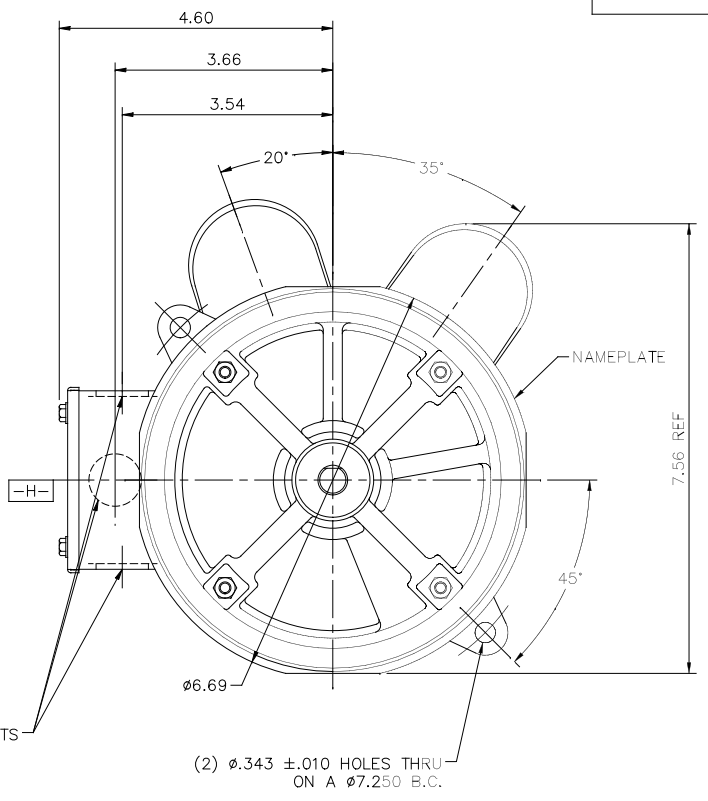
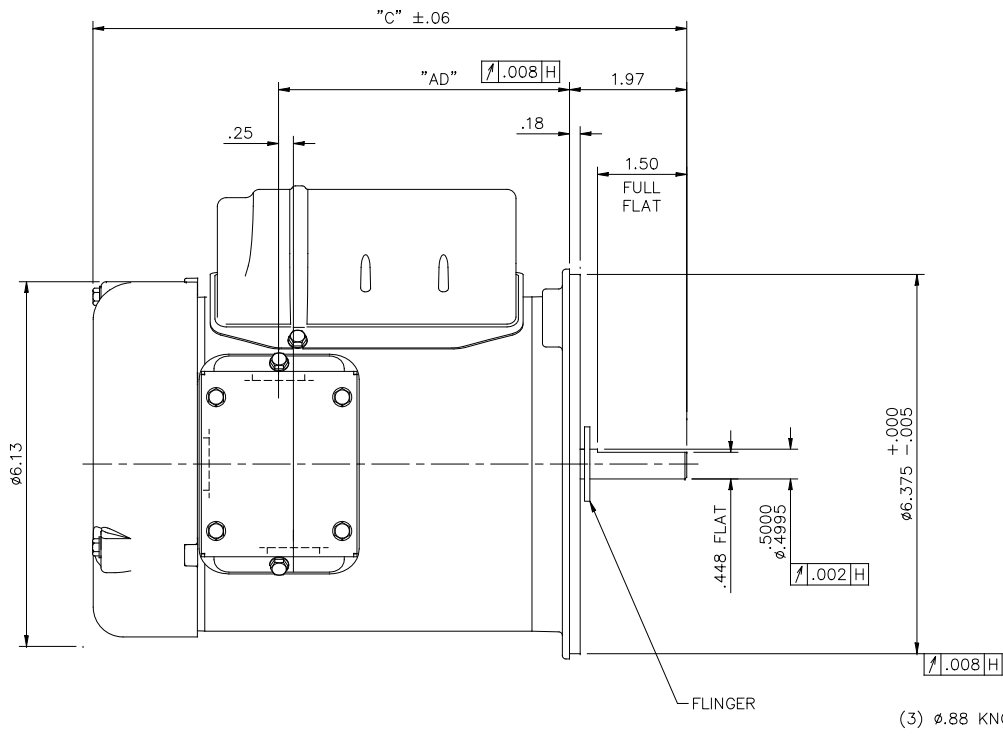


### Nameplate Specifications

Output HP	<b>0.50 Hp</b>	Output KW	<b>0.37 kW</b>
Frequency	<b>60 Hz</b>	Voltage	<b>115/208-230 V</b>
Current	<b>8.0/3.8-4.0 A</b>	Speed	<b>1725 rpm</b>
Service Factor	<b>1.15</b>	Phase	<b>1</b>
Efficiency	<b>66 %</b>	Duty	<b>Continuous</b>
Insulation Class	<b>F</b>	Design Code	<b>O</b>
KVA Code	<b>L</b>	Frame	<b>48Y</b>
Enclosure	<b>Totally Enclosed Fan Cooled</b>	Overload Protector	<b>Manual</b>
Ambient Temperature	<b>40 °C</b>	Drive End Bearing Size	<b>6203</b>
Opp Drive End Bearing Size	<b>6203</b>	UL	<b>Recognized ( Not Protector)</b>
CSA	<b>Y</b>	CE	<b>N</b>
IP Code	<b>43</b>		

### Technical Specifications

Electrical Type	<b>Capacitor Start Induction Run</b>	Starting Method	<b>Across The Line</b>
Poles	<b>4</b>	Rotation	<b>Selective Counterclockwise</b>
Mounting	<b>Round</b>	Motor Orientation	<b>HORIZONTAL</b>
Drive End Bearing	<b>BALL</b>	Opp Drive End Bearing	<b>BALL</b>
Frame Material	<b>Rolled Steel</b>	Shaft Type	<b>NEMA 48</b>
Overall Length	<b>10.72 in</b>	Frame Length	<b>6.25 in</b>
Shaft Diameter	<b>0.500 in</b>	Shaft Extension	<b>1.5 in</b>
Assembly/Box Mounting	<b>F1 ONLY</b>		
Outline Drawing	<b>031648-625</b>	Connection Diagram	<b>005258.04</b>

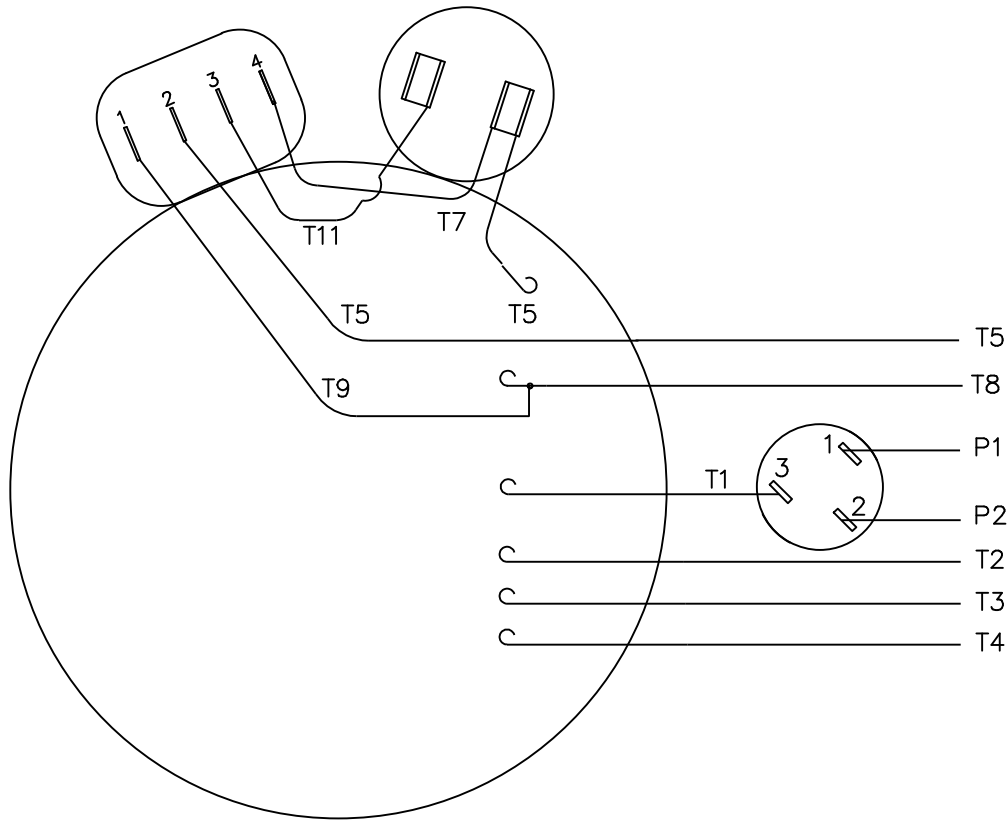


DASH NO.	"C"	"AD"
550	9.97	4.89
575	10.22	5.14
600	10.47	5.39
625	10.72	5.64
650	10.97	5.89
675	11.22	6.14
700	11.47	6.39
725	11.72	6.64
750	11.97	6.89

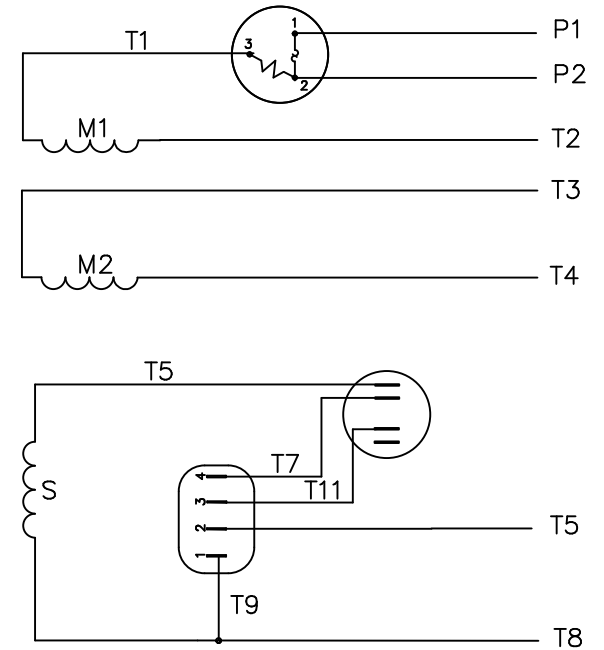
GASKETS THROUGHOUT

07	BIG CAPACITOR LOCATION WAS AT 40°	PST 06/18/15	SM	TOLERANCES UNLESS SPECIFIED	Regal Beloit America, Inc.	DRAWN PG 9/13/01
06	ADDED TOLERANCE TO .343 CORED HOLES	KMM 5/7/03	DEC.	INCHES		CHK
05	ROTATED CAPACITORS 5° FOR CON. BOX CLEARANCE	KMM 2/6/03	.X	±.1	APPD	
04	REVISED CALLOUT FOR GD&T	KMM 6/6/02	.XX	±.03	TITLE	SCALE 1=2
03	REVERSED CAPACITOR LOCATIONS	PG 10/31/01	.XXX	±.005	OIL BURNER FLANGE MOUNT - TEFC	
K	ADDED LARGE CAP. CASE FOR NEW SWITCH	EL 3/31/2017	.XXXX	±.0005	MAT'L	1 PHASE
NO.	REVISION	BY & DATE	CHK	ANG ±1/2°	FINISH	FMF 101120
THIS DRAWING IN DESIGN AND DETAIL IS OUR PROPERTY AND MUST NOT BE USED EXCEPT IN CONNECTION WITH OUR WORK ALL RIGHTS OF DESIGN AND INVENTION ARE RESERVED THIS IS AN ELECTRONICALLY GENERATED DOCUMENT - DO NOT SCALE THIS PRINT				RFP	CAD FILE 031648	SIZE B
				DIST		DRAWING NO. 031648
						REV. K

VIEW FROM OUTSIDE OF MOTOR AT SWITCH END.



LINE LEADS



	ROTATION FACING LEAD END	L1	L2	JOIN	INSULATE SEPARATELY
HIGH VOLT	C.C.W.	P1	T4 T5	T2,T3 T8	P2
	C.W.	P1	T4 T8	T2,T3 T5	P2
LOW VOLT	C.C.W.	P1	T2,T4 T5	P2,T3 T8	----
	C.W.	P1	T2,T4 T8	P2,T3 T5	----

				TOLERANCES UNLESS OTHERWISE SPECIFIED		
				DEC.	INCHES	METRIC
				.X	±.1	±2.5
				.XX	±.01	±.25
				.XXX	±.005	±.127
NO.	REVISION	BY & DATE	CH'K'D.	.XXXX	±.0005	±.0127

**LEESON** ELECTRIC CORPORATION

DRAWN PG 10/16/01	TITLE	EXTERNAL WIRING DIAGRAM TYPE "C" W/PROTECTOR	
APPR.	MAT'L.	DECAL - 004011 SOLID STATE SWITCH	
R.F.P.	SCALE	1=1	

THIS DRAWING IN DESIGN AND DETAIL IS OUR PROPERTY AND MUST NOT BE USED EXCEPT IN CONNECTION WITH OUR WORK ALL RIGHTS OF DESIGN AND INVENTION ARE RESERVED THIS IS AN ELECTRONICALLY GENERATED DOCUMENT - DO NOT SCALE THIS PRINT				FRACTIONS	±1/64	REF.	PAGE 1	FINISH	REV.	DRAWING NO.
				ANGLES	±1/2'	FMF	101120	STANDARD		005258-04



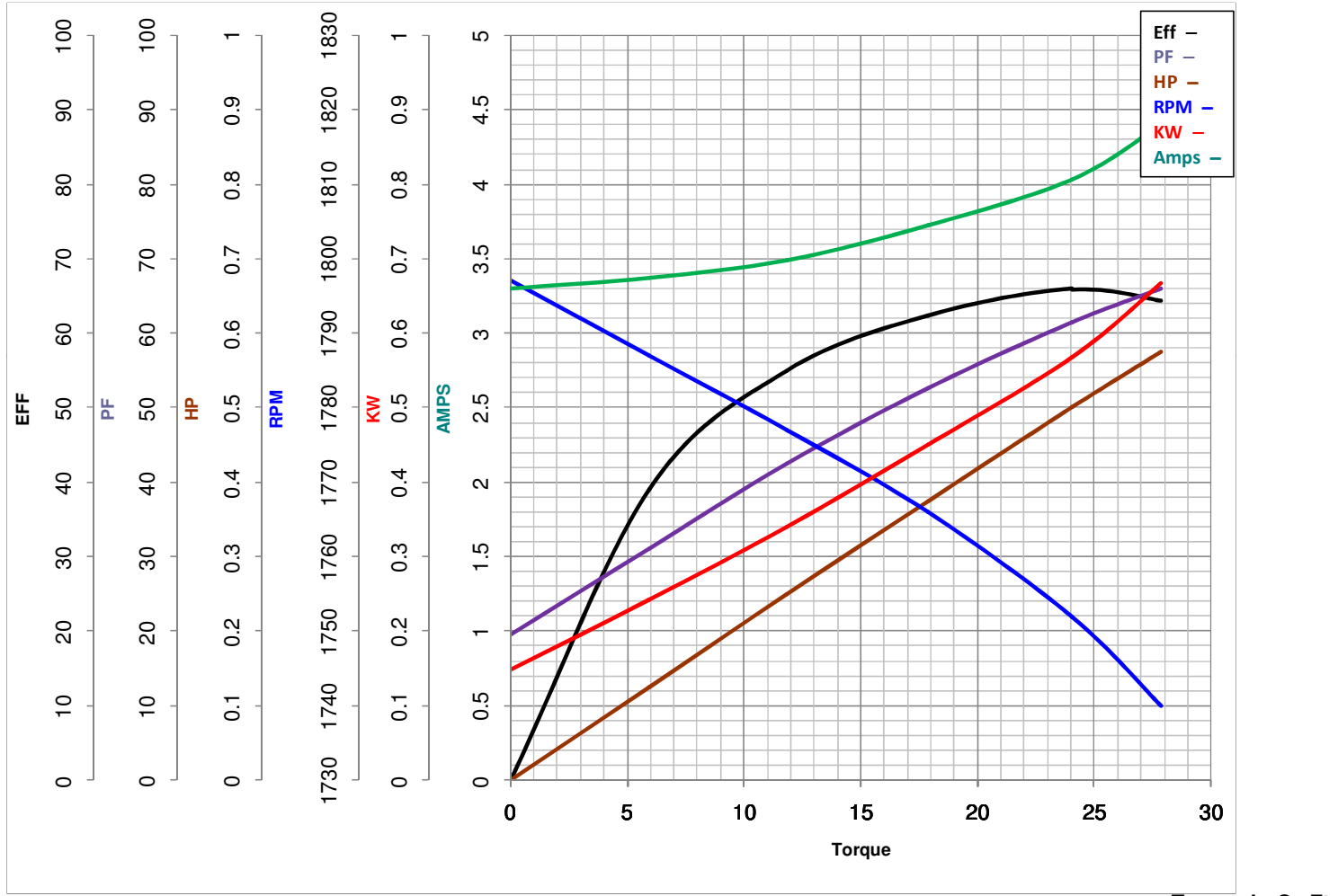
**LEESON ELECTRIC CORPORATION**  
 TYPICAL PERFORMANCE CURVE for AC MOTOR

Model No 101120.00

Catalog No 101120.00

Curve at 230 Volts      HP 0.50      PHASE 1  
60 HZ  
0.5 HP      VOLTS 115/208-230

HZ 60      RPM 1725



FL TORQUE	<u>24.09</u> Oz.Ft	FL AMPS	<u>8/3.8-4</u>
BD TORQUE	<u>64.2</u> Oz.Ft	PU TORQUE	<u>54.1</u> Oz.Ft
LR TORQUE	<u>84.1</u> Oz.Ft	LR AMPS	<u>20.7</u>
WINDING	CE484212-3	Date	3/22/2018