

# PRODUCT INFORMATION PACKET



Model No: P6C17FZ27K  
Catalog No: 112615.00  
1HP..1725RPM.56.TEFC./V.1PH.60HZ.CONT.MANUAL.40C.1.0SF.ROUND.AG - FEED-  
AUGER.P6C17FZ27K  
Auger Drive



Regal and Leeson are trademarks of Regal Beloit Corporation or one of its affiliated companies.  
©2018 Regal Beloit Corporation, All Rights Reserved. MC017097E



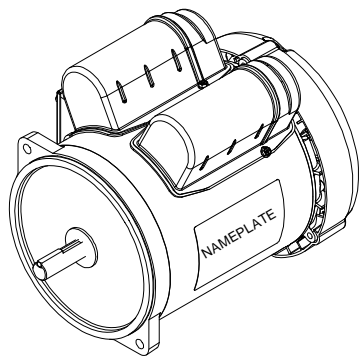
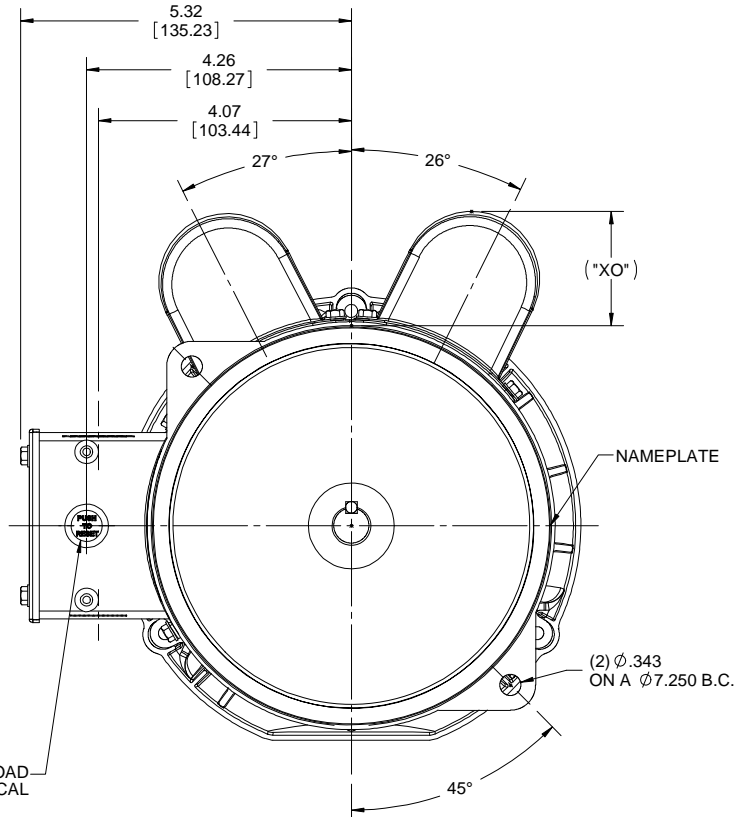
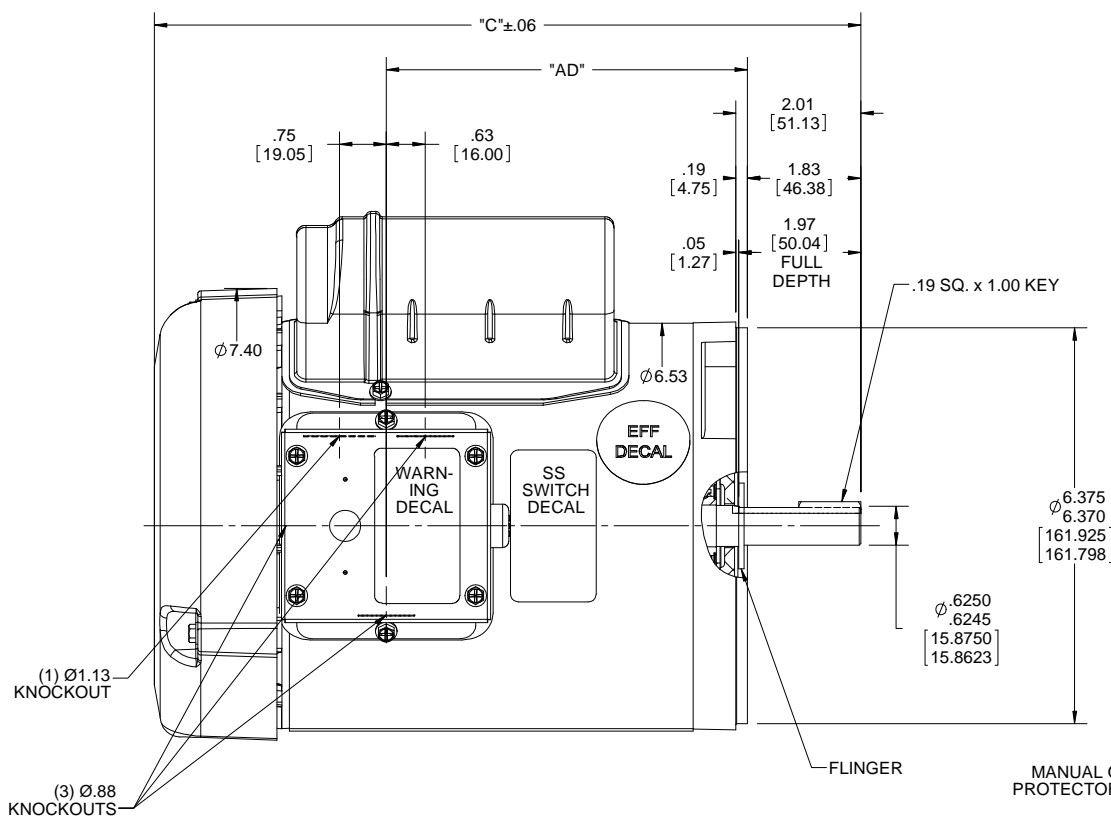


### Nameplate Specifications

Output HP	<b>1 Hp</b>	Output KW	<b>0.75 kW</b>
Frequency	<b>60 Hz</b>	Voltage	<b>115/230 V</b>
Current	<b>14.0/7.0 A</b>	Speed	<b>1725 rpm</b>
Service Factor	<b>1</b>	Phase	<b>1</b>
Efficiency	<b>74 %</b>	Duty	<b>Continuous</b>
Insulation Class	<b>F</b>	Design Code	<b>N</b>
KVA Code	<b>K</b>	Frame	<b>56</b>
Enclosure	<b>Totally Enclosed Fan Cooled</b>	Overload Protector	<b>Manual</b>
Ambient Temperature	<b>40 °C</b>	Drive End Bearing Size	<b>6203</b>
Opp Drive End Bearing Size	<b>6203</b>	UL	<b>Recognized</b>
CSA	<b>Y</b>	CE	<b>N</b>
IP Code	<b>54</b>		

### Technical Specifications

Electrical Type	<b>Capacitor Start Induction Run</b>	Starting Method	<b>Across The Line</b>
Poles	<b>4</b>	Rotation	<b>Selective Counterclockwise</b>
Mounting	<b>Round</b>	Motor Orientation	<b>HORIZONTAL</b>
Drive End Bearing	<b>BALL</b>	Opp Drive End Bearing	<b>BALL</b>
Frame Material	<b>Rolled Steel</b>	Shaft Type	<b>NEMA 56</b>
Overall Length	<b>11.27 in</b>	Frame Length	<b>6.50 in</b>
Shaft Diameter	<b>0.625 in</b>	Shaft Extension	<b>1.88 in</b>
Assembly/Box Mounting	<b>F1 ONLY</b>		
Outline Drawing	<b>028817-650</b>	Connection Diagram	<b>005242.02</b>



DASH NO.	"C"	"AD"	CAP DASH	"XO"
650	11.27	5.81	A	1.15
700	11.77	6.31	A	1.15
750	12.27	6.81	B	1.60
800	12.77	7.31	B	1.60
850	13.27	7.81	C	1.82

NOTE:  
1) GASKETS THROUGHOUT

ORACLE REV.
002

DRAWING REVISION C	REVISION BY DS	DATE 02/21/2018
ECO ECO-0140221	APPROVED BY AS	DATE 02/21/2018
ECO DESCRIPTION ITEM # 650 ADDED		
<small>COPYRIGHT REGAL BELOIT AMERICA, INC. ALL RIGHTS RESERVED.          PROPRIETARY AND CONFIDENTIAL INFORMATION - THIS DOCUMENT IS THE PROPERTY OF          REGAL BELOIT AMERICA, INC. ("OWNER") AND CONTAINS OWNER'S PROPRIETARY          INFORMATION. ANY PERSON, CORPORATION OR OTHER FIRM RECEIVING IT IS DEEMED,          BY RECEIVING IT, TO AGREE THAT IT, AND/OR ANY PART OF IT, SHALL NOT BE DISCLOSED          TO ANY PERSON, CORPORATION OR OTHER ENTITY, DUPLICATED, AND/OR USED, EXCEPT          AS EXPRESSLY APPROVED IN WRITING IN ADVANCE BY OWNER. THIS DOCUMENT SHALL          BE RETURNED TO OWNER UPON REQUEST. IT MAY BE SUBJECT TO CERTAIN          RESTRICTIONS UNDER APPLICABLE EXPORT CONTROL LAWS AND REGULATIONS.</small>		

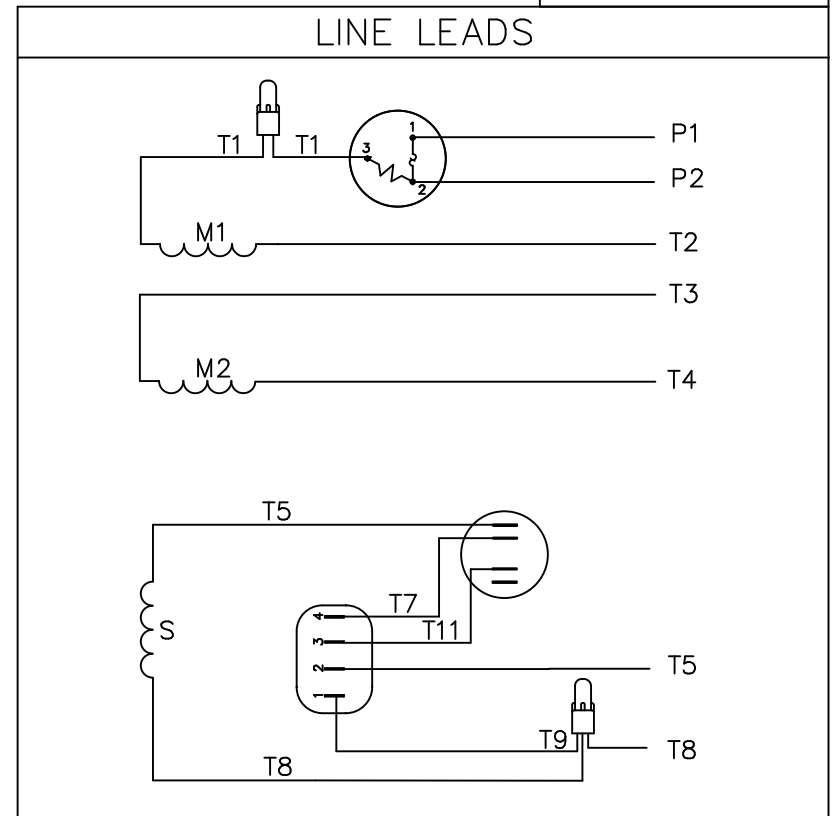
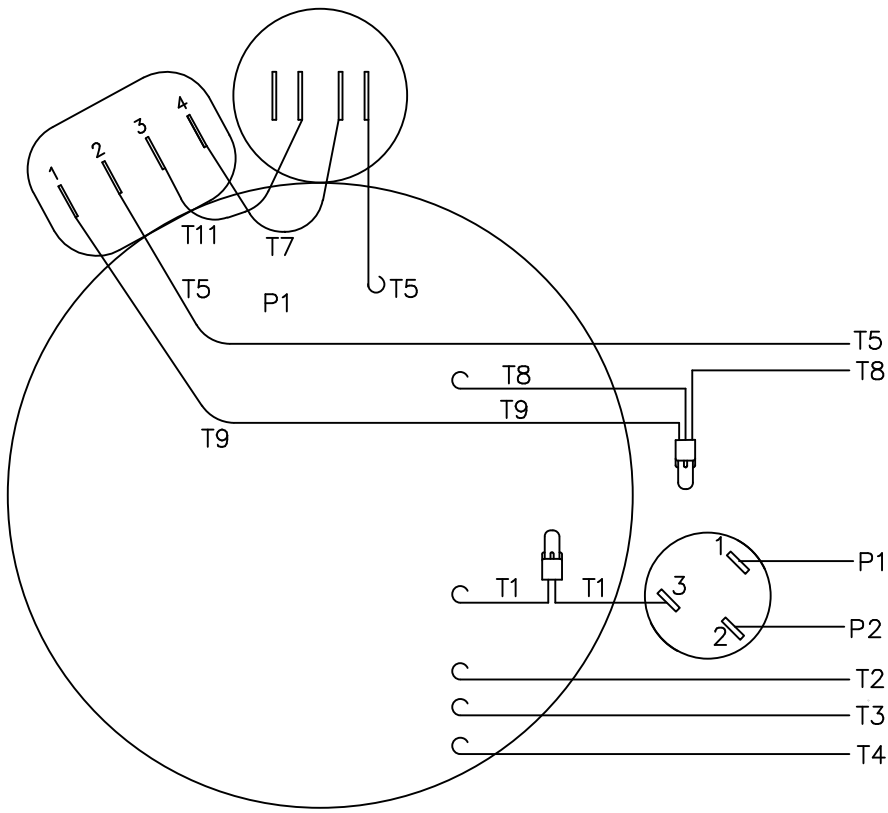
TOLERANCES UNLESS OTHERWISE SPECIFIED:			
DEC.	INCH	mm	ANGLE
-X	±0.1	[±2.5]	±0.5°
.XX	±0.01	[±0.25]	
.XXX	±0.005	[±0.127]	
.XXXX	±0.0005	[±0.0127]	
REMOVE BURRS & BREAK SHARP			
EDGES: .003/.015 [0.076/.381] X 45°			
CORNER FILLETS: R.02 [.51]			
MACHINED SURFACES: 125/3.2			
mm SHOWN IN [BRACKETS]			

DRAWN BY JKK 03/28/08
DATE
APPROVED BY
DATE
REFERENCE
THIRD ANGLE PROJECTION

Regal Beloit America, Inc.	
DESCRIPTION <b>OUTLINE</b> TEFC - OIL BURNER FLANGE	
MATERIAL	PROCESS/FINISH
SIZE <b>B</b>	DRAWING NUMBER <b>028817</b>
SHEET 1 OF 1	

VIEW FROM OUTSIDE OF MOTOR AT SWITCH END.

005242-02



	ROTATION FACING LEAD END	L1	L2	JOIN	INSULATE SEPARATELY
HIGH VOLT	C.C.W.	P1	T4 T5	T2 T3, T8	P2
	C.W.	P1	T4 T8	T2 T3, T5	P2
LOW VOLT	C.C.W.	P1	T2, T4 T5	P2 T3, T8	--
	C.W.	P1	T2, T4 T8	P2 T3, T5	--

			TOLERANCES UNLESS OTHERWISE SPECIFIED			<b>LEESON</b> ELECTRIC CORPORATION					
			DEC.	INCHES	METRIC						
05	REMOVED OPTIONAL PRESSURE CONNECTOR	ARV 2/25/08	.X	±	±	DRAWN PG 10/27/86	TITLE EXTERNAL WIRING DIAGRAM TYPE "C" W/ PROTECTOR				
04	REVISED TO OPTIONAL PRESSURE CONNECTOR	PG 9/14/01	.XX	±	±	APPR.					
03	UPDATED TO CURRENT STANDARDS	DBT 8/13/97	.XXX	±	±	R.F.P.	MAT'L. DECAL - 004011 SOLID STATE SWITCH				
NO.	REVISION	BY & DATE	CH'K'D.	.XXXX	±	SCALE 1=1					
THIS DRAWING IN DESIGN AND DETAIL IS OUR PROPERTY AND MUST NOT BE USED EXCEPT IN CONNECTION WITH OUR WORK ALL RIGHTS OF DESIGN AND INVENTION ARE RESERVED THIS IS AN ELECTRONICALLY GENERATED DOCUMENT - DO NOT SCALE THIS PRINT						FRACTIONS	±	REF. PAGE 1	FINISH KANSAS	REV. 05	DRAWING NO. 005242-02
						ANGLES	±	FMF 101120	STANDARD		



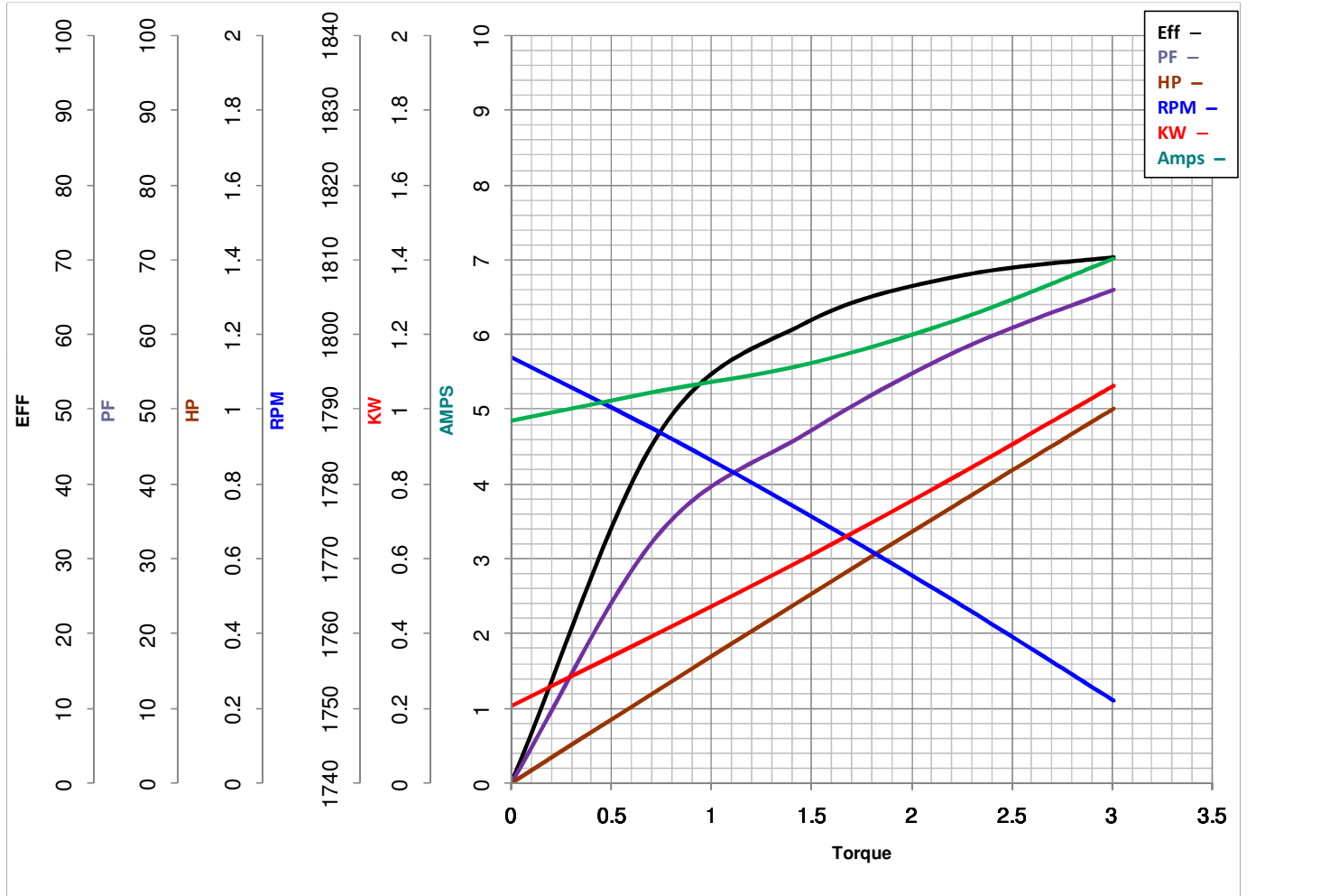
**LEESON ELECTRIC CORPORATION**  
 TYPICAL PERFORMANCE CURVE for AC MOTOR

Model No 112615.00

Curve at 230 Volts HP 1.00 PHASE 1  
60 HZ  
1 HP VOLTS 115/230

Catalog No 112615.00

HZ 60 RPM 1725



Torque in Lb.Ft

FL TORQUE 3.01 Lb.Ft  
 BD TORQUE 8.3 Lb.Ft  
 LR TORQUE 8.863 Lb.Ft

FL AMPS 14.7  
 PU TORQUE 7.4 Lb.Ft  
 LR AMPS 37.3

WINDING C634259-3

Date 4/12/2018