

PRODUCT INFORMATION PACKET



Model No: P6K17DB47B
Catalog No: 116704.00
2HP..1740RPM.56H.DP./V.1PH.60HZ.CONT.MANUAL.40C.1.15SF.RIGID.PRESSURE
WASHER.P6K17DB47B
Pressure Washers



Regal and Leeson are trademarks of Regal Beloit Corporation or one of its affiliated companies.

©2018 Regal Beloit Corporation, All Rights Reserved. MC017097E





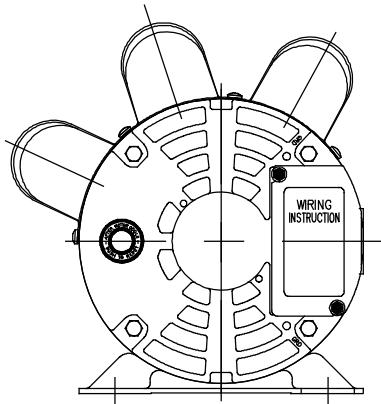
Nameplate Specifications

| | | | |
|----------------------------|-----------------------|------------------------|----------------------|
| Output HP | 2 Hp | Output KW | 1.5 kW |
| Frequency | 60 Hz | Voltage | 115/208-230 V |
| Current | 17.2/9.2-8.6 A | Speed | 1740 rpm |
| Service Factor | 1.15 | Phase | 1 |
| Efficiency | 79 % | Duty | Continuous |
| Insulation Class | F | Design Code | L |
| KVA Code | H | Frame | 56H |
| Enclosure | Drip Proof | Overload Protector | Manual |
| Ambient Temperature | 40 °C | Drive End Bearing Size | 6205 |
| Opp Drive End Bearing Size | 6203 | UL | Recognized |
| CSA | Y | CE | N |
| IP Code | 22 | | |

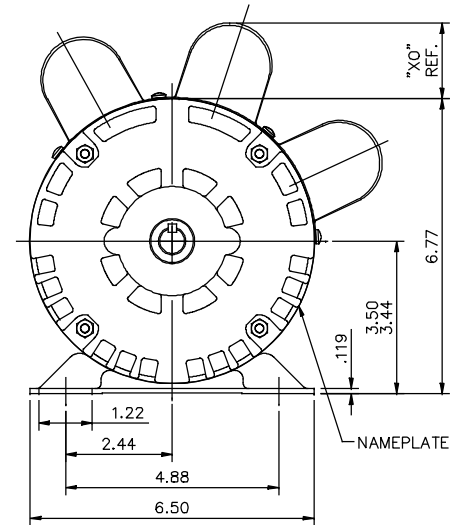
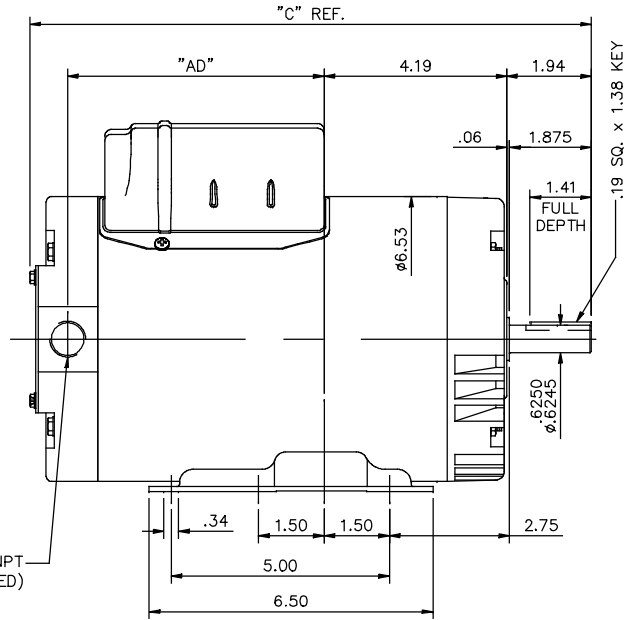
Technical Specifications

| | | | |
|-----------------------|--------------------------------------|-----------------------|-----------------------------------|
| Electrical Type | Capacitor Start Capacitor Run | Starting Method | Across The Line |
| Poles | 4 | Rotation | Selective Counterclockwise |
| Mounting | Rigid base | Motor Orientation | HORIZONTAL |
| Drive End Bearing | BALL | Opp Drive End Bearing | BALL |
| Frame Material | Rolled Steel | Shaft Type | NEMA 56 |
| Overall Length | 12.68 in | Frame Length | 8.00 in |
| Shaft Diameter | 0.625 in | Shaft Extension | 1.88 in |
| Assembly/Box Mounting | F1 ONLY | | |
| Outline Drawing | 028737-800B | Connection Diagram | 005053.11 |

028737



(1) 1/2-14 NPT
(PLUGGED)

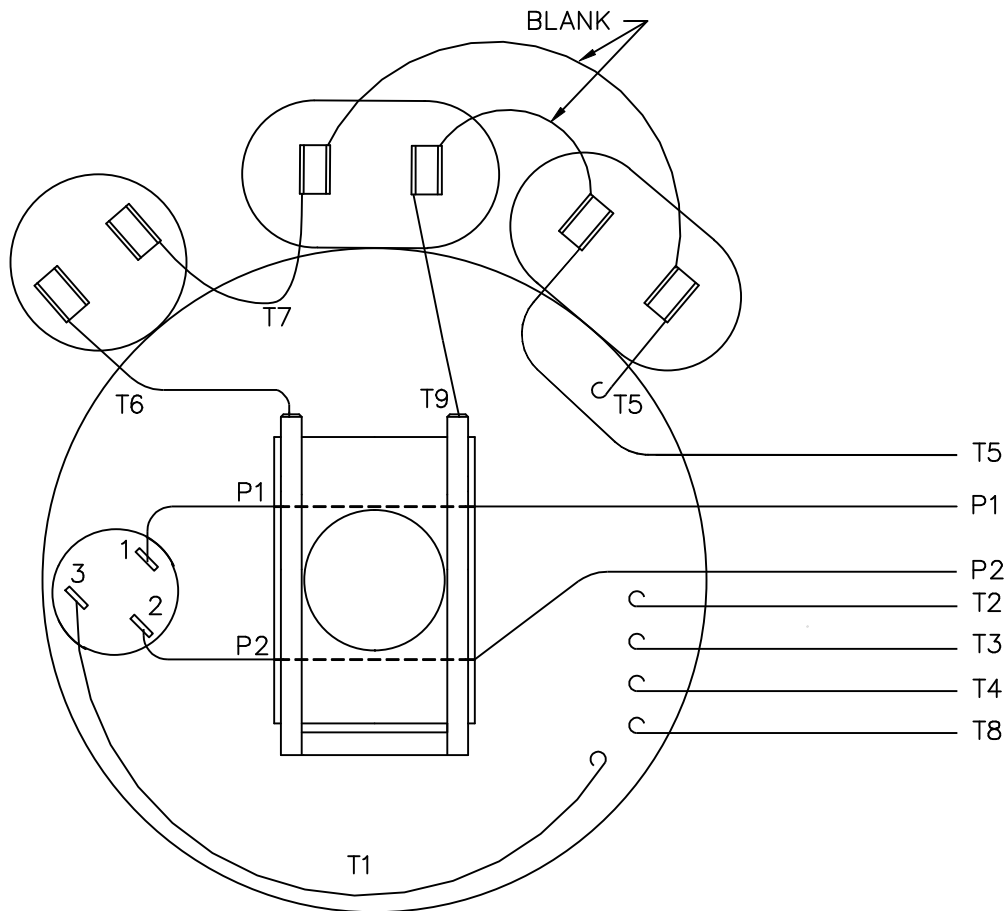


| DASH NO. | "C" | "AD" | CAP. DASH | "XO" |
|----------|-------|------|-----------|------|
| 700 | 11.68 | 4.87 | A | 1.25 |
| 750 | 12.18 | 5.37 | B | 1.75 |
| 800 | 12.68 | 5.87 | C | 2.00 |
| 850 | 13.18 | 6.37 | | |

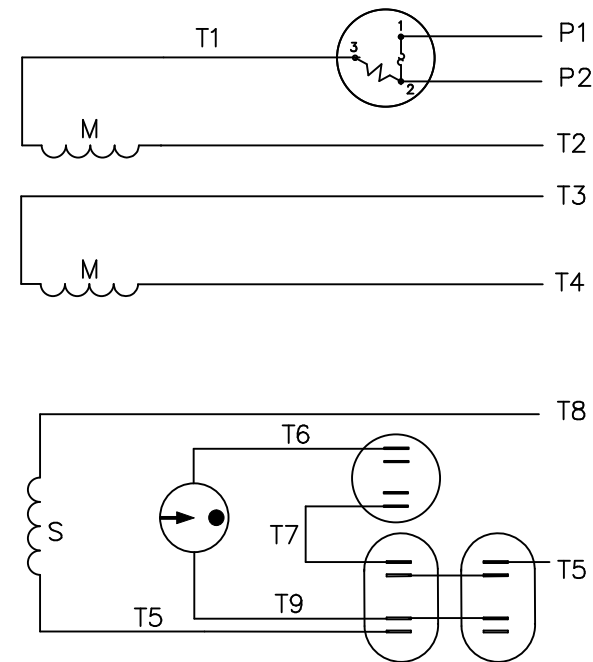
ORACLE REV.
002

| TOLERANCES UNLESS SPECIFIED | | REGAL™ Regal Beloit America, Inc. | | DRAWN LST 10/27/05 | | |
|---|----------------------------------|-----------------------------------|-------------|--------------------|-------------|-------------|
| DEC. | INCHES | CHK | FW 10/28/05 | APPD | KH 10/28/05 | |
| X | ±.1 | | | | | |
| XX | ±.03 | | | | | |
| XXX | ±.005 | | | | | |
| XXXX | ±.0005 | | | | | |
| NO. | REVISION | BY & DATE | CHK | ANG | ±1/2" | |
| 02 | NAMEPLATE WAS METAL | AS 08/29/17 | AS | XXX | ±.005 | |
| 01 | REMOVED SHAFT HOLE IN LE ENDBELL | ARV 1/6/06 | | XXXX | ±.0005 | |
| THIS DRAWING IN DESIGN AND DETAIL IS OUR PROPERTY AND MUST NOT BE USED EXCEPT IN CONNECTION WITH OUR WORK. ALL RIGHTS OF DESIGN AND INVENTION ARE RESERVED. THIS IS AN ELECTRONICALLY GENERATED DOCUMENT - DO NOT SCALE THIS PRINT. | | RFP | CAD FILE | 028737 | SIZE | DRAWING NO. |
| | | DIST | | | B | 028737 |
| | | | | | | REV. |
| | | | | | | 02 |

VIEW FROM OUTSIDE OF MOTOR AT SWITCH END.



LINE LEADS



| | ROTATION FACING LEAD END | L1 | L2 | JOIN | INSULATE SEPARATELY |
|-----------|--------------------------|----|--------------|--------------|---------------------|
| HIGH VOLT | C.C.W. | P1 | T4 T5 | T2, T3 T8 | P2 |
| | C.W. | P1 | T4 T8 | T2, T3 T5 | P2 |
| LOW VOLT | C.C.W. | P1 | T2, T4 T5 | P2, T3 T8 | ---- |
| | C.W. | P1 | T2, T4 T8 | P2, T3 T5 | ---- |

| | | | | | | | | | | | |
|---|---------------------------------------|-----|-----|---------------------------------------|-----------|------------------------------------|----------------|---|---------|-----------|-------------|
| | | | | TOLERANCES UNLESS OTHERWISE SPECIFIED | | LEESON ELECTRIC CORPORATION | | | | | |
| | | | | DECIMALS | | | | | | | |
| | | | | .00 | ± .01 | DRAWN | TEM | TITLE EXT. WIRING DIAGRAMS TYPE "K" W/PROTECTOR | | | |
| 02 | REMOVED P2 FROM WDG | DWF | RDW | 09/24/99 | .000 | ± .005 | CH'K'D. | | | | |
| 01 | REDRAWN ON CAD, PROT. WAS IN SIDE BOX | | DBT | 08/13/97 | .0000 | ± .0005 | APPR. 04/20/88 | MAT'L. DECAL - 004011 | | | |
| NO. | REVISION | | BY | DATE | FRACTIONS | ± 1/64 | SCALE 1=1 | | | | |
| THIS DRAWING IN DESIGN AND DETAIL IS OUR PROPERTY AND MUST NOT BE USED EXCEPT IN CONNECTION WITH OUR WORK ALL RIGHTS OF DESIGN AND INVENTION ARE RESERVED | | | | ANGLES | ± 1/2" | REF. | PG.11 | FINISH | QUINTON | SIZE | DRAWING NO. |
| | | | | INCH/MM | | FMF | W-K63466-4 | | A | 005053-11 | |

BRF

