

# PRODUCT INFORMATION PACKET



Model No: P6K34DK18A  
Catalog No: 116709.00  
5HP..3450RPM.56H.DP./230V.1PH.60HZ.CONT.MANUAL.40C.1.0SF.RIGID C.PRESSURE  
WASHER.P6K34DK18A  
Pressure Washers



Regal and Leeson are trademarks of Regal Beloit Corporation or one of its affiliated companies.  
©2018 Regal Beloit Corporation, All Rights Reserved. MC017097E



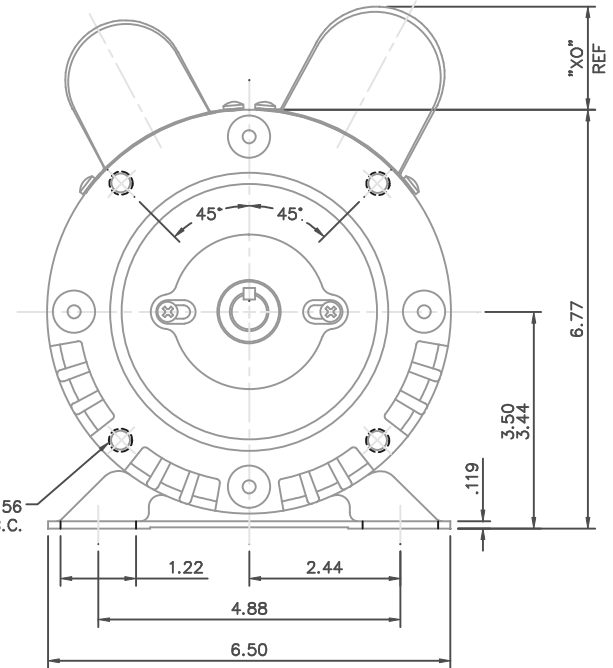
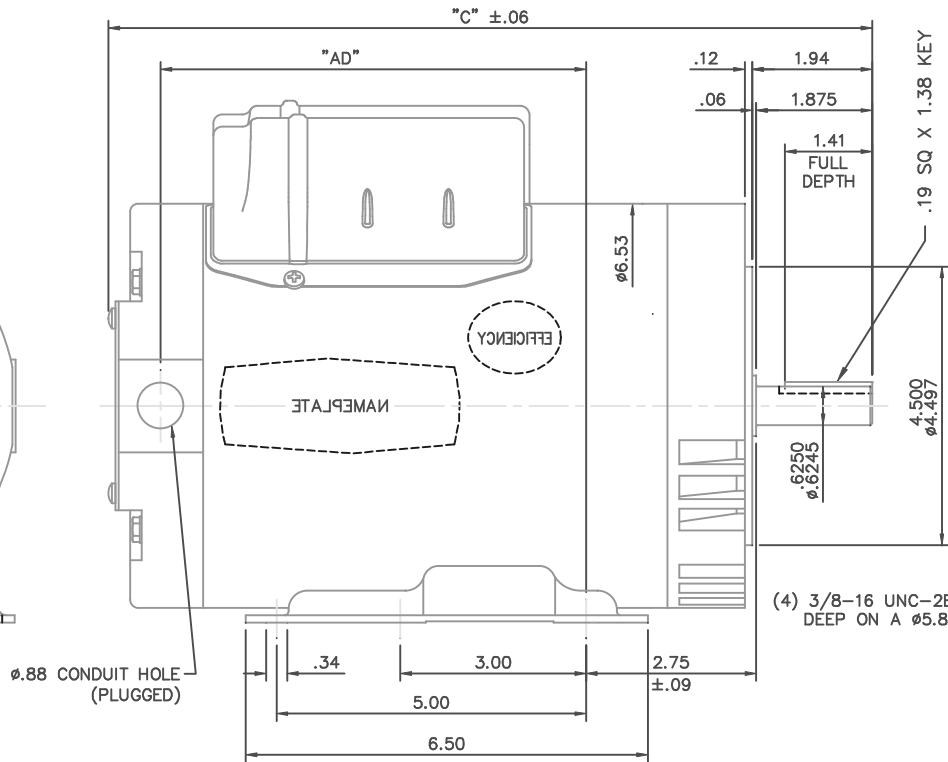
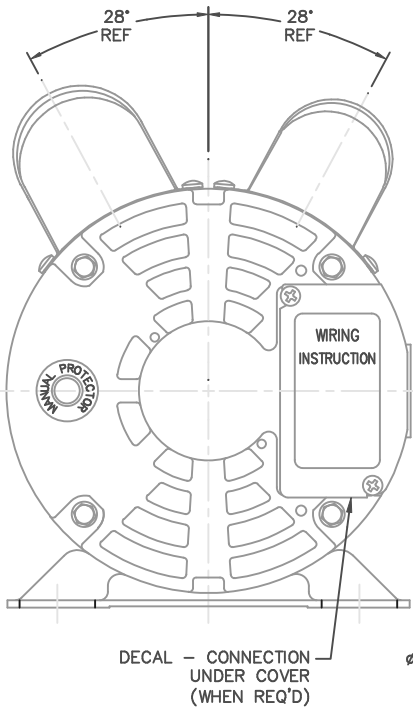


### Nameplate Specifications

Output HP	<b>5 Hp</b>	Output KW	<b>3.7 kW</b>
Frequency	<b>60 Hz</b>	Voltage	<b>230 V</b>
Current	<b>20.8 A</b>	Speed	<b>3450 rpm</b>
Service Factor	<b>1</b>	Phase	<b>1</b>
Efficiency	<b>82.5 %</b>	Duty	<b>Continuous</b>
Insulation Class	<b>F</b>	Design Code	<b>L</b>
KVA Code	<b>E</b>	Frame	<b>56HC</b>
Enclosure	<b>Drip Proof</b>	Overload Protector	<b>Manual</b>
Ambient Temperature	<b>40 °C</b>	Drive End Bearing Size	<b>6205</b>
Opp Drive End Bearing Size	<b>6203</b>	UL	<b>Recognized</b>
CSA	<b>Y</b>	CE	<b>N</b>
IP Code	<b>22</b>		

### Technical Specifications

Electrical Type	<b>Capacitor Start Capacitor Run</b>	Starting Method	<b>Across The Line</b>
Poles	<b>2</b>	Rotation	<b>Selective Counterclockwise</b>
Mounting	<b>Rigid base</b>	Motor Orientation	<b>HORIZONTAL</b>
Drive End Bearing	<b>BALL</b>	Opp Drive End Bearing	<b>BALL</b>
Frame Material	<b>Rolled Steel</b>	Shaft Type	<b>NEMA 56</b>
Overall Length	<b>13.84 in</b>	Frame Length	<b>9.00 in</b>
Shaft Diameter	<b>0.625 in</b>	Shaft Extension	<b>1.88 in</b>
Assembly/Box Mounting	<b>F1 ONLY</b>		
Outline Drawing	<b>028709-900C</b>	Connection Diagram	<b>005056.02</b>



MAXIMUM FACE RUNOUT TO BE .004 T.I.R.  
 MAXIMUM PILOT ECCENTRICITY .004 T.I.R.  
 PERMISSIBLE SHAFT RUNOUT .002 T.I.R.

DASH NO.	"C"	"AD"	CAP. DASH	"XO"
650	11.34	5.88	A	1.08
700	11.84	6.38	B	1.42
750	12.34	6.88	C	1.69
800	12.84	7.38		
850	13.34	7.88		
900	13.84	8.38		

NO.		REVISION	BY & DATE	CHK	ANG	±1/2"	FINISH	PREV
THIS DRAWING IN DESIGN AND DETAIL IS OUR PROPERTY AND MUST NOT BE USED EXCEPT IN CONNECTION WITH OUR WORK. ALL RIGHTS OF DESIGN AND INVENTION ARE RESERVED. THIS IS AN ELECTRONICALLY GENERATED DOCUMENT - DO NOT SCALE THIS PRINT				RFP	8/15/05	CAD FILE	028709	SIZE B
				DIST			DRAWING NO. 028709	REV.

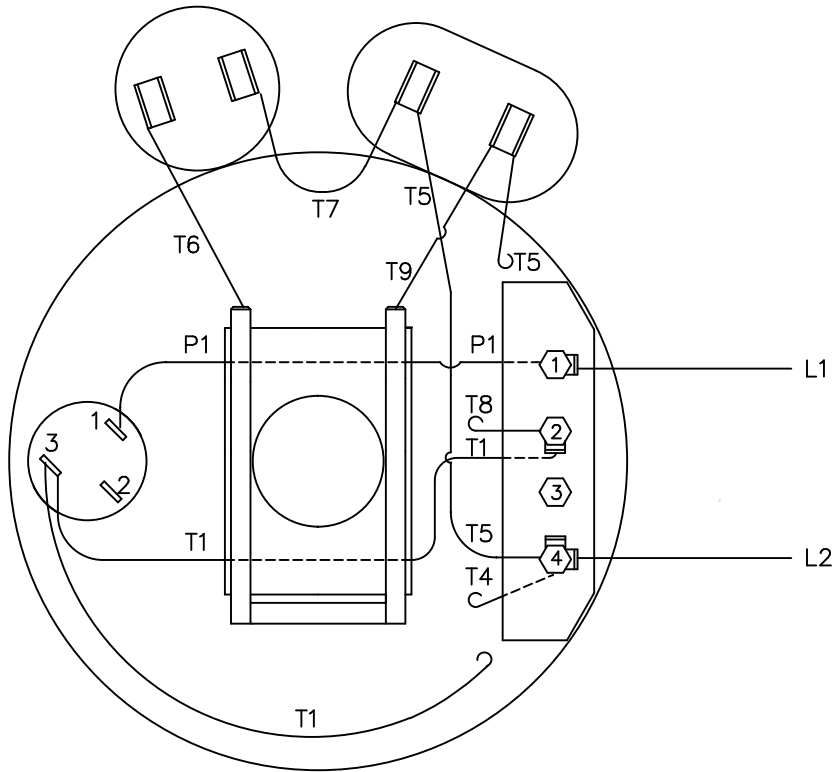
**LEESON** ELECTRIC MOTORS  
GEARMOTORS  
AND DRIVES

TITLE: OUTLINE- 56HC FRAME  
DRIP PROOF - RIGID "C"

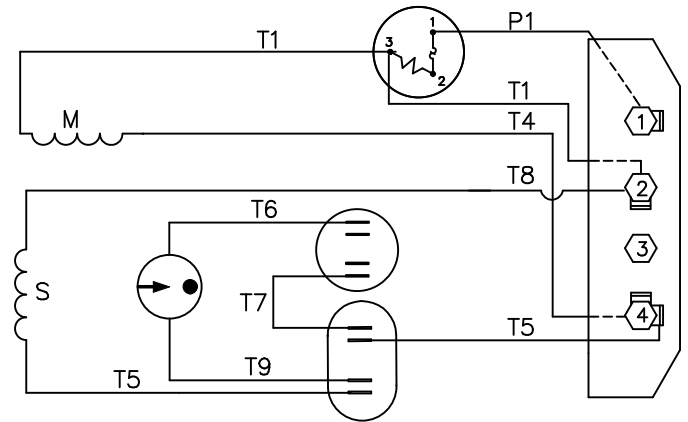
MAT'L: COMPRESSOR DUTY

DRAWN: RDW 8/15/05  
CHK:  
APPD: SW 8/15/05  
SCALE: 1=2  
REF: 028596  
FMF:  
PREV:

VIEW FROM OUTSIDE OF MOTOR AT SWITCH END.

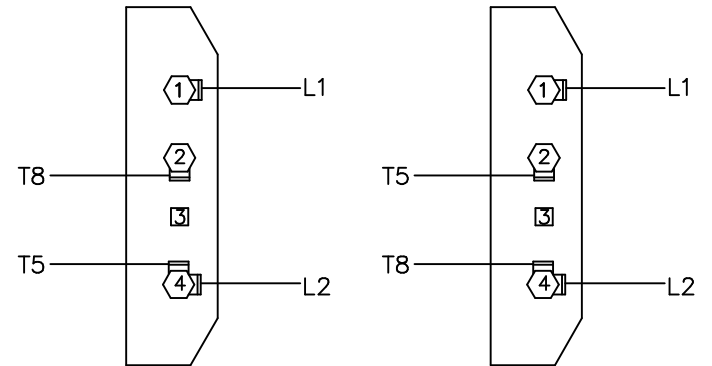


LINE LEADS



C.C.W. L.E. ROTATION

C.W. L.E. ROTATION



TOLERANCES UNLESS OTHERWISE SPECIFIED

DECIMALS

.00 ± .01

.000 ± .005

.0000 ± .0005

FRACTIONS ± 1/64

ANGLES ± 1/2°

INCH/MM

**LEESON** ELECTRIC CORPORATION

DRAWN JRW 12/12/75

CH'K'D. TEM

APPR. 12/17/75

SCALE 1=1

REF.

FMF A6K34DC1

TITLE EXTERNAL WIRING DIAGRAM  
TYPE "K" W/ PROTECTOR

MAT'L. DECAL - 004112

**BRF**

FINISH

SIZE

DRAWING NO.

A

005056-02

10	REDRAWN ON CAD	DBT	06/23/97
NO.	REVISION	BY	DATE

THIS DRAWING IN DESIGN AND DETAIL IS OUR PROPERTY AND MUST NOT BE USED EXCEPT IN CONNECTION WITH OUR WORK ALL RIGHTS OF DESIGN AND INVENTION ARE RESERVED

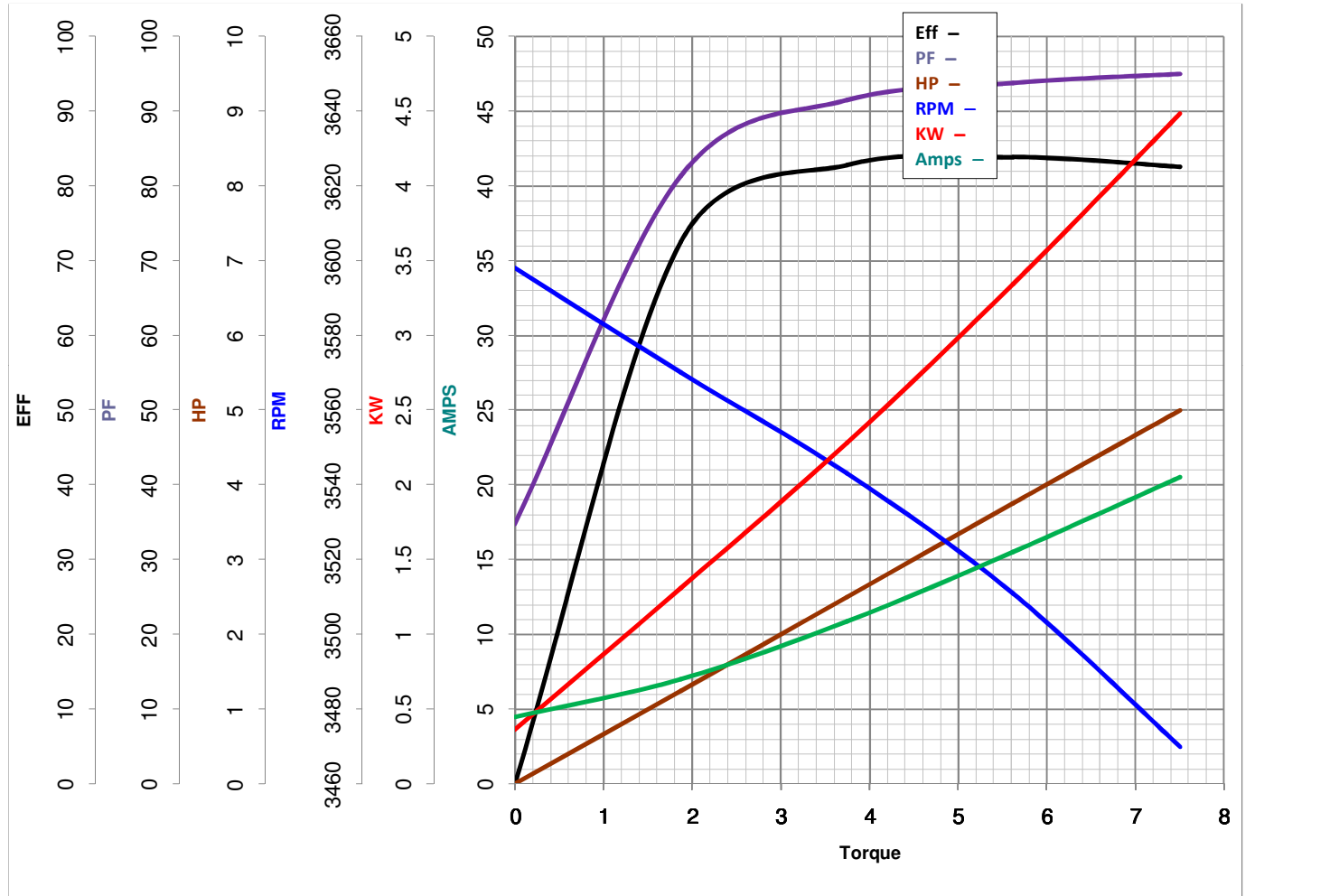


Model No 116709.00

Catalog No 116709.00

**LEESON ELECTRIC CORPORATION**  
 TYPICAL PERFORMANCE CURVE for AC MOTOR

Curve at 230 Volts      HP 5.00      PHASE 1  
60 HZ  
5 HP      VOLTS 230  
                                  HZ 60      RPM 3450



Torque in Lb.Ft

FL TORQUE 7.5 Lb.Ft  
 BD TORQUE 14.3 Lb.Ft  
 LR TORQUE 12.3 Lb.Ft

FL AMPS 20.8  
 PU TORQUE 13.3 Lb.Ft  
 LR AMPS 107

WINDING

K632130-2

Date 4/23/2018