

BALDOR® • RELIANCE 

Product Information Packet

PL1327M

5HP,3450RPM,1PH,60HZ,56/56H,3535LC,ODTF

Part Detail							
Revision:	AN	Status:	PRD/A	Change #:		Proprietary:	No
Type:	AC	Elec. Spec:	35WGS322	CD Diagram:	CD0002A02	Mfg Plant:	
Mech. Spec:	35L203	Layout:	35LYL203	Poles:	02	Created Date:	06-22-2007
Base:	RG	Eff. Date:	05-31-2018	Leads:	2#12 A PH,3#18 B&J		

Specs			
Catalog Number:	PL1327M	KVA Code:	F
Enclosure:	ODTF	Lifting Lugs:	No Lifting Lugs
Frame:	56/56H	Locked Bearing Indicator:	No Locked Bearing
Frame Material:	Steel	Motor Lead Quantity/Wire Size:	2 @ 12 AWG, A PH
Output @ Frequency:	5.000 HP @ 60 HZ	Motor Lead Exit:	Cap Box
Synchronous Speed @ Frequency:	3600 RPM @ 60 HZ	Motor Lead Termination:	Flying Leads
Voltage @ Frequency:	230.0 V @ 60 HZ	Motor Type:	3535LC
XP Class and Group:	None	Mounting Arrangement:	F1
XP Division:	Not Applicable	Power Factor:	95
Agency Approvals:	CSA	Product Family:	General Purpose
	UR	Pulley End Bearing Type:	Ball
Auxillary Box:	No Auxillary Box	Pulley Face Code:	Standard
Auxillary Box Lead Termination:	None	Pulley Shaft Indicator:	Standard
Base Indicator:	Rigid	Rodent Screen:	None
Bearing Grease Type:	Polyrex EM (-20F +300F)	RoHS Status:	ROHS COMPLIANT
Blower:	None	Shaft Extension Location:	Pulley End
Current @ Voltage:	23.000 A @ 230.0 V	Shaft Ground Indicator:	No Shaft Grounding
	24.000 A @ 208.0 V	Shaft Rotation:	Reversible

Design Code:	-	Shaft Slinger Indicator:	No Slinger
Drip Cover:	Drip Cover	Speed Code:	Single Speed
Duty Rating:	CONT	Motor Standards:	NEMA
Electrically Isolated Bearing:	Not Electrically Isolated	Starting Method:	Direct on line
Feedback Device:	NO FEEDBACK	Thermal Device - Bearing:	NONE (OLD)
Front Face Code:	Drip Cover Mounting	Thermal Device - Winding:	Do Not Use
Front Shaft Indicator:	None	Vibration Sensor Indicator:	No Vibration Sensor
Heater Indicator:	No Heater	Winding Thermal 1:	Manual Thermal Overload
Insulation Class:	F	Winding Thermal 1 Location:	KO
Inverter Code:	Not Inverter	Winding Thermal 2:	None

Nameplate NP1257L	
CAT.NO.	PL1327M
SPEC.	35L203S322
HP	5
VOLTS	230
AMP	23
RPM	3450
FRAME	56/56H
HZ	60
PH	1
SER.F.	1.00
CODE	F
DES	-
CL	F
NEMA-NOM-EFF	74.2
PF	95
RATING	40C AMB-CONT
CC	USABLE AT 208V 24
DE	6205
ODE	6203
ENCL	ODTF
SN	

Parts List		
Part Number	Description	Quantity
SA026850	SA 35L203S322	1.000 EA
RA022899	RA 35L203S322	1.000 EA
OC3050F09SP	CAPACITOR 50 MFD 370 VAC	1.000 EA
TPBRT34DA	THERMAL 1PH 1.25 MAN 105C	1.000 EA
EC1161C06SP	ELEC CAP, 161-193 MFD, 250V, 2.06D X 4.	2.000 EA
WD3006A01	RSS-2-103JT 2W 10K RES. METAL OXIDE 5%	1.000 EA
TP5059	GENERIC THERMAL KIT	1.000 EA
NS2512A01	INSULATOR, CONDUIT BOX X	1.000 EA
36CB3802B01	CPBX 36 W/1.09 DIA LEAD @ 6	1.000 EA
36GS5000	GASKET CONDUIT ADAPTOR	1.000 EA
51XB1016A07	10-16 X 7/16 HXWSSLD SERTYB	3.000 EA
11XW1032G06	10-32 X .38, TAPTITE II, HEX WSHR SLTD U	1.000 EA
HW3001B01	BRASS CUP WASHER, FOR #10 SCREW	1.000 EA
HA6003A28	CAPAC. CLAMP MODEL 36 MOTORS PLATED	1.000 EA
51XW0832A07	8-32 X .44, TAPTITE II, HEX WSHR SLTD SE	2.000 EA
HA6015A08	THERMAL RETAINER (PLATED)	1.000 EA
51XB1214A10	12-14 X 5/8HX WS SL SR TYBX	2.000 EA
35EP3209D00	MASTER ODE,203 BRG,.683SH,DRIP CVR	1.000 EA
51XW0832A07	8-32 X .44, TAPTITE II, HEX WSHR SLTD SE	2.000 EA
35CB4802A02SP	CAPACITOR COVER, STAMPED X	1.000 EA
51XB1016A05	10-16X5/16HX WA SL SR TYB (F/S)	2.000 EA
HW5100A03	WAVY WASHER (W1543-017)	1.000 EA
35EP3210B00	MASTER DE,205 BRG,1.000SH	1.000 EA
XY1032A02	10-32 HEX NUT DIRECTIONAL SERRATION	4.000 EA

Parts List (continued)		
Part Number	Description	Quantity
35FN3002A05SP	EXFN, PLASTIC, 6.376 OD, .638 ID	1.000 EA
51XB1214A16	12-14X1.00 HXWSSLD SERTYB	1.000 EA
35FH4006A01SP	DRIP COVER,STAMPED,W/ PRIMER	1.000 EA
51XW1032A06	10-32 X .38, TAPTITE II, HEX WSHR SLTD S	3.000 EA
36CB4505	CONDUIT BOX LID, STAMPED	1.000 EA
36GS3006	GASKET, CAP BOX LID	1.000 EA
51XW0832A07	8-32 X .44, TAPTITE II, HEX WSHR SLTD SE	4.000 EA
HW2501D13	KEY, 3/16 SQ X 1.375	1.000 EA
HA7000A04	KEY RETAINER 0.625 DIA SHAFTS	1.000 EA
85XU0407S04	4X1/4 U DRIVE PIN STAINLESS	2.000 EA
LB1087	LABEL,MANUAL RESET (ROLL LABEL)	1.000 EA
MJ1000A02	GREASE, POLYREX EM EXXON (USe 4824-15A)	0.050 LB
MG1000G27	MED CHARCOAL METALLIC GREY 400-0096	0.017 GA
HA3100A22	THRUBOLT 10-32 X 10.125	4.000 EA
WD1000A16	2-520128-2 AMP FLAG TERMINAL(4M/RL)	6.000 EA
SP5181A27	MODEL 35 LC TORQ STAT SWITCH LEAD ASSY	1.000 EA
LB1119N	WARNING LABEL	1.000 EA
LC0002	CONNECTION LABEL	1.000 EA
NP1257L	ALUM UL CSA CC THERMAL REV MTG	1.000 EA
36PA1000	PKG GRP, PRINT PK1016A06	1.000 EA
PE-0000001	ZRTG PE ASSEMBLY	1.000 EA
FE-0000001	ZRTG FE ASSEMBLY	1.000 EA

Accessories		
Part Number	Description	Multiplier
35-8764	C FACE KIT	A8
35EP1604A01SP	D-FLANGE KIT	A8

AC Induction Motor Performance Data

Record # 8979 - Typical performance - not guaranteed values

Winding: 35WGS322-R001	Type: 3535LC	Enclosure: ODTF
-------------------------------	---------------------	------------------------

Nameplate Data				230 V, 60 Hz: Single Voltage Motor	
Rated Output (HP)	5			Full Load Torque	7.7 LB-FT
Volts	230			Start Configuration	direct on line
Full Load Amps	23			Breakdown Torque	18.8 LB-FT
R.P.M.	3450			Pull-up Torque	12.8 LB-FT
Hz	60	Phase	1	Locked-rotor Torque	14.7 LB-FT
NEMA Design Code	-	KVA Code	F	Starting Current	122 A
Service Factor (S.F.)	1			No-load Current	8.9 A
NEMA Nom. Eff.	74.2	Power Factor	95	Line-line Res. @ 25°C	0.535 Ω A Ph 1.1 Ω B Ph
Rating - Duty	40C AMB-CONT			Temp. Rise @ Rated Load	89°C

Load Characteristics 230 V, 60 Hz, 5 HP

% of Rated Load	25	50	75	100	125	150
Power Factor	78	89	94	95	96	95
Efficiency	56.5	69.5	74.5	74.2	72.5	66
Speed	3570	3535	3500	3450	3390	3275
Line amperes	10.4	13.7	17.8	23	28.6	36.2

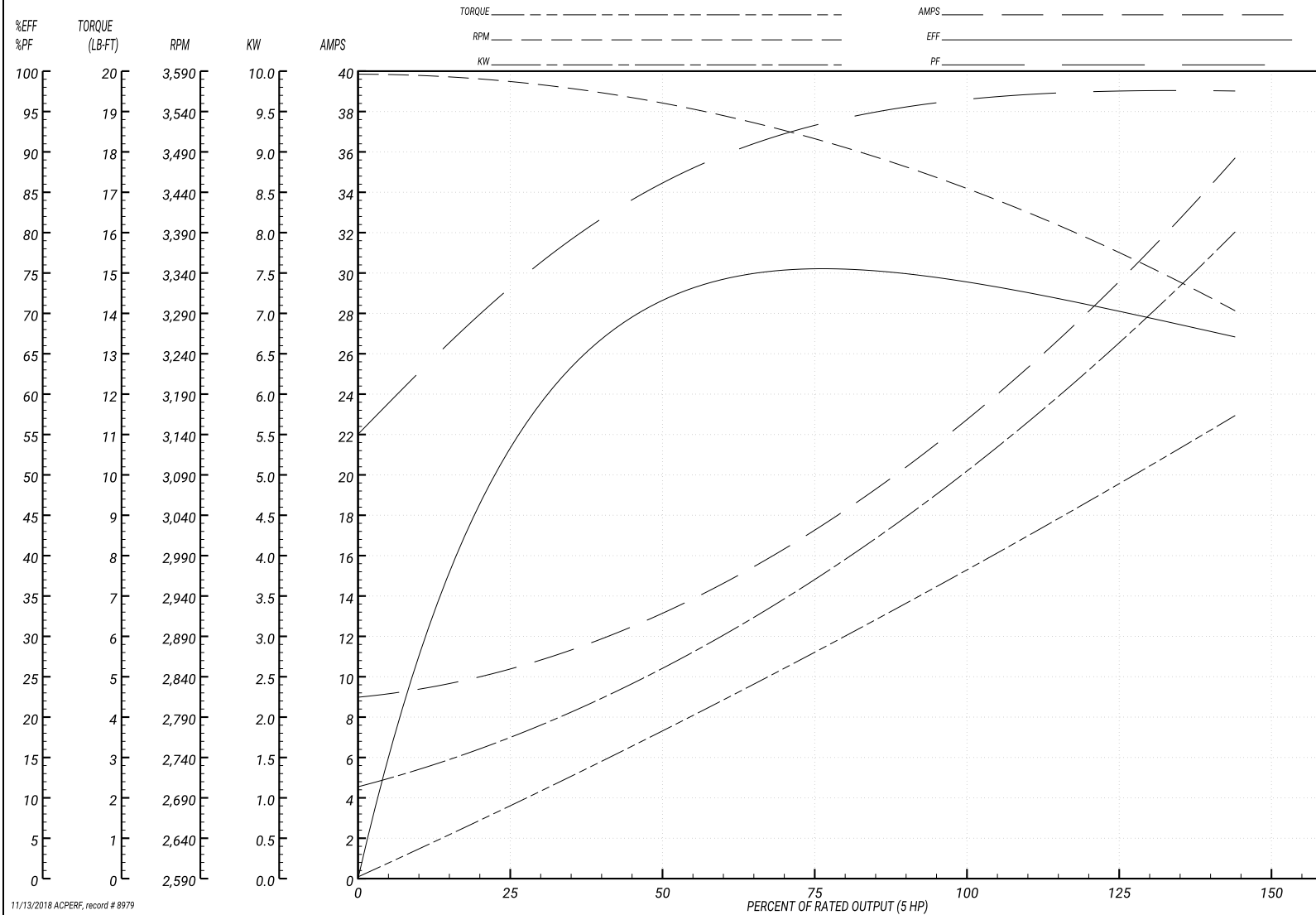
Performance Graph at 230V, 60Hz, 5.0HP Typical performance - Not guaranteed values

BALDOR ELECTRIC COMPANY

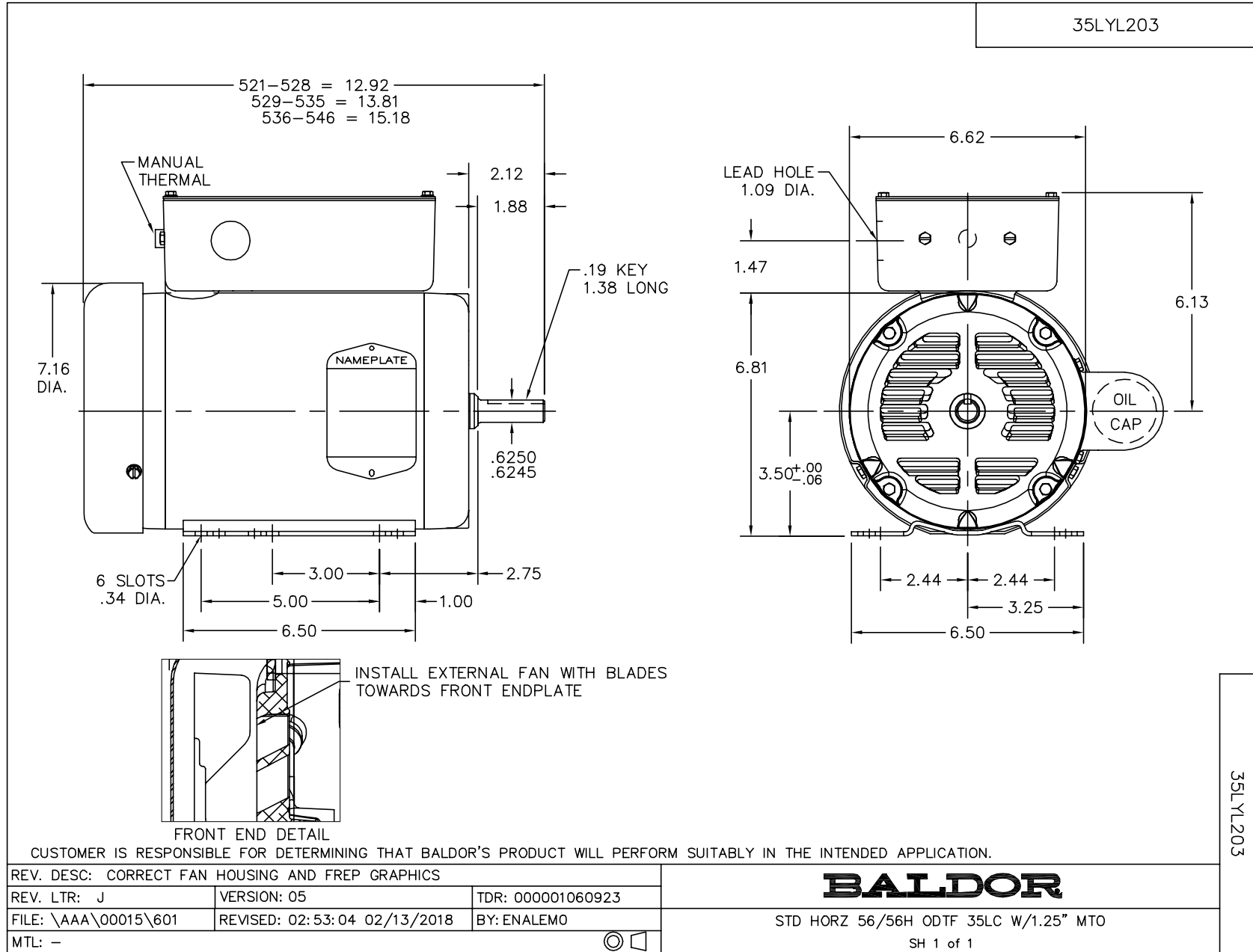
WINDING # 35WGS322

Typical performance - not guaranteed values.

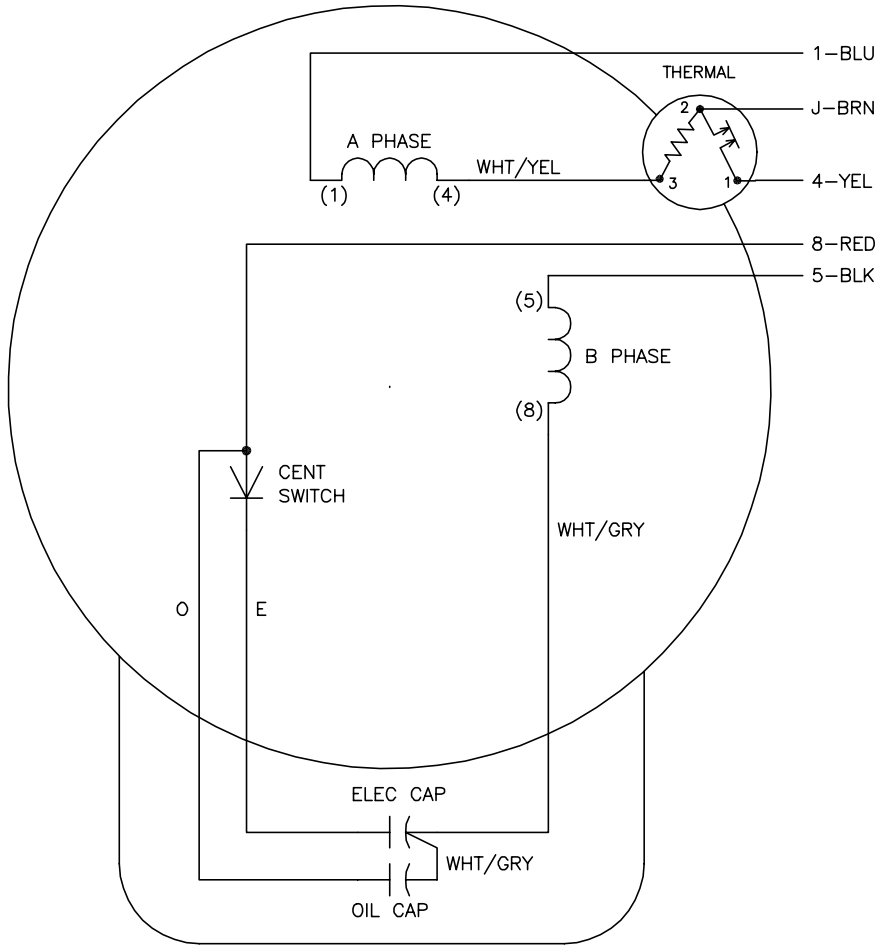
5 HP 1 PH 60 HZ 3450 RPM 230 V 3535LC
 TORQUES(LB-FT): PO=18.8 PU=12.8 LR=14.7 LRA=122



11/13/2018 ACPERF, record # 8979



CD0002A02



	LINE A	LINE B	JOIN
STD	1,8	4	J,5
OPP	1,5	4	J,8

NOTES:

1. STANDARD ROTATION IS CCW FACING END OPPOSITE SHAFT EXTENSION.
2. MULTIPLE CAPACITORS ARE CONNECTED IN PARALLEL UNLESS OTHERWISE SPECIFIED.
3. LEAD COLORS ARE OPTIONAL. LEADS MUST ALWAYS BE NUMBERED AS SHOWN.

REV. DESC: REMOVE 2-TERMINAL THERMAL DETAIL, SEE CD0002A04		
REV. LTR: D	VERSION: 01	TDR: 000000360649
Z0VZ00000 CD0002A02	FILE: \AAA\00007\520	REVISED: 17:11:40 04/15/2005
	MTL: -	BY: ENJOEPO

BALDOR ELECTRIC Co.

TYPE LC, SV, REV, THERMAL, 5 LEADS

CD0002A02