



GEP Series

CAST IRON EFFLUENT PUMPS

FEATURES

- Reliable mechanical switch coupled with solid float for dependable performance
- Oil-cooled motor permanently lubricated for extended service life and is powered for continuous operation
- Premium mechanical seal design provides superior protection against sand and abrasive damage (Silicon Carbide/Silicon Carbide/BUNA)
- Vortex impeller can handle solids up to ¾" in size
- Cast iron motor housing for optimal heat dissipation
- Corrosion resistant hardware for lifetime use

APPLICATIONS

Specially designed for the following uses:

- Basement draining
- Water transfer
- Dewatering
- Filtered effluent

SPECIFICATIONS

- Discharge size: 1 ½" NPT
- Capacities: to 85 gpm
- Maximum head: 45 foot TDH
- Maximum solids handling: ¾" spherical
- Impeller: vortex
- Temperature: 104° F (40° C)
- Mechanical seal: Silicon Carbide/Silicon Carbide BUNA

MATERIALS OF CONSTRUCTION

Part Name	Material
Impeller	Cast Iron
Casing	Cast Iron Motor Housing
Motor Adapter	Cast Iron
Mechanical Seal	Silicon Carbide/Silicon Carbide/BUNA
Mechanical Switch	cURus listed, 15A, 125V
Fasteners	Stainless Steel
Handle	Stainless Steel
Float Bracket	Stainless Steel

- Cast iron base
- Built-in vent hole prevents air-binding with no added labor
- Available in automatic and manual models
- Approved for residential use (CSA/CUS Listed)
- Three year warranty

MOTOR

- ½ & ¾ hp, 115 & 230V, 60 Hz, single phase, 1750 rpm
- Automatic vertical float, manual float switch option
- Built-in thermal overload protection
- Oil filled design
- 10', 20' and 30' models available. All models have NEMA three prong grounding plugs.

AGENCY LISTINGS

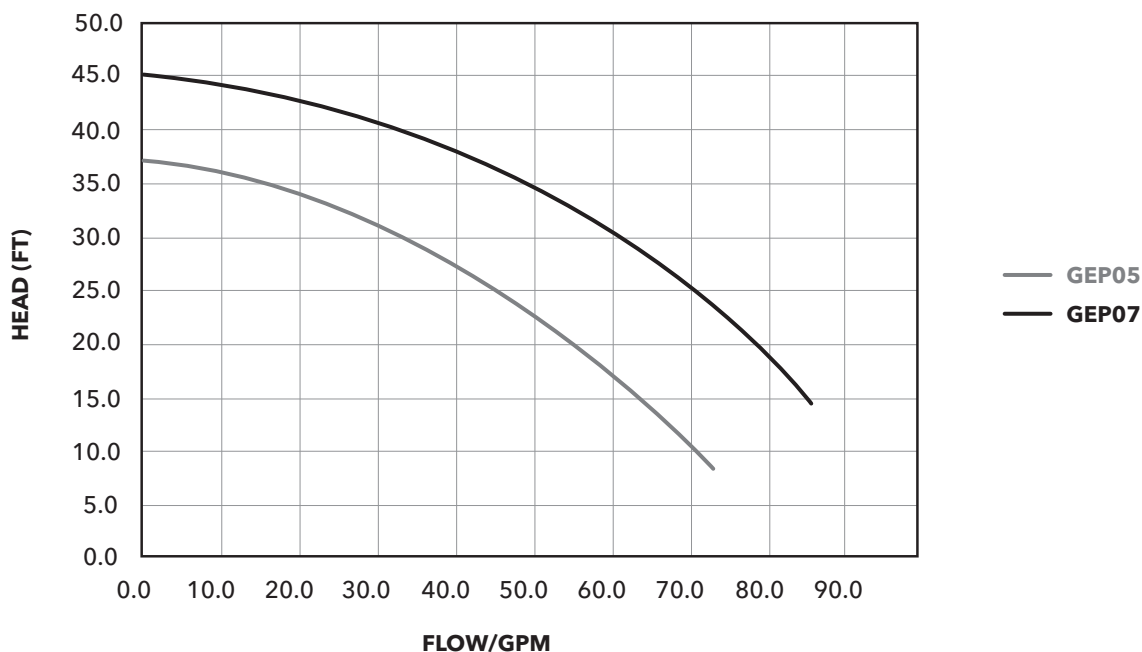


Tested to UL778 CAN 22.2 by
CSA International (Canadian Standards Association)

REPAIR PARTS

Part Description	Part No.	Part
SWITCH	9K701	Switch Assembly with Gasket and Hardware

PERFORMANCE CURVES

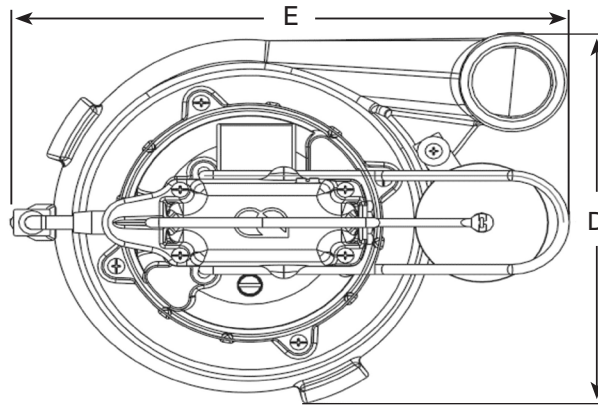
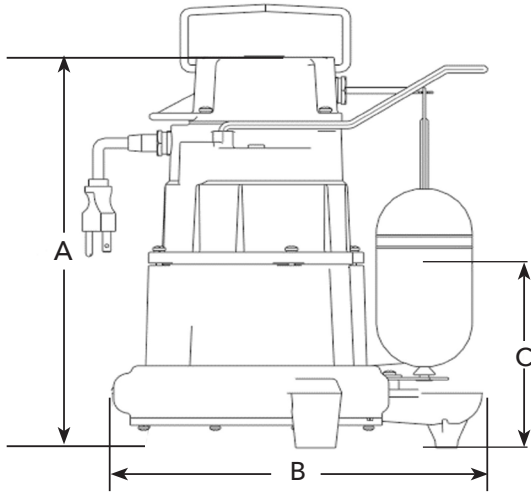


PRODUCT SPECIFICATIONS

Order No.	Cord (ft.)	HP	Volts	Amps	Minimum Circuit Breaker	Phase	Operation	Float Switch Type	Discharge Connection (in.)	Solids Size (in.)	Minimum On Level (in.)	Minimum Off Level (in.)	Minimum Basin Diameter (in.)	Shipping Weight (lbs.)
GEP0511	10'	1/2	115	9.5	15A	1	Automatic	Vertical	1 1/2"	3/4"	8"	3"	12"	44
GEP0511M	10'	1/2	115	9.5	15A	1	Manual	Not Supplied	1 1/2"	3/4"	8"	3"	12"	44
GEP0511 20	20'	1/2	115	9.5	15A	1	Automatic	Vertical	1 1/2"	3/4"	8"	3"	12"	45.5
GEP0511M 20	20'	1/2	115	9.5	15A	1	Manual	Not Supplied	1 1/2"	3/4"	8"	3"	12"	45.5
GEP0511 30	30'	1/2	115	9.5	15A	1	Automatic	Vertical	1 1/2"	3/4"	8"	3"	12"	47
GEP0511M 30	30'	1/2	115	9.5	15A	1	Manual	Not Supplied	1 1/2"	3/4"	8"	3"	12"	47
GEP0512	10'	1/2	230	4.5	15A	1	Automatic	Vertical	1 1/2"	3/4"	8"	3"	12"	45
GEP0512M	10'	1/2	230	4.5	15A	1	Manual	Not Supplied	1 1/2"	3/4"	8"	3"	12"	45
GEP0512 20	20'	1/2	230	4.5	15A	1	Automatic	Vertical	1 1/2"	3/4"	8"	3"	12"	46.5
GEP0512M 20	20'	1/2	230	4.5	15A	1	Manual	Not Supplied	1 1/2"	3/4"	8"	3"	12"	46.5
GEP0512 30	30'	1/2	230	4.5	15A	1	Automatic	Vertical	1 1/2"	3/4"	8"	3"	12"	48
GEP0512M 30	30'	1/2	230	4.5	15A	1	Manual	Not Supplied	1 1/2"	3/4"	8"	3"	12"	48
GEP0711	10'	3/4	115	11	15A	1	Automatic	Vertical	1 1/2"	3/4"	8"	3"	12"	47
GEP0711M	10'	3/4	115	11	15A	1	Manual	Not Supplied	1 1/2"	3/4"	8"	3"	12"	47
GEP0711 20	20'	3/4	115	11	15A	1	Automatic	Vertical	1 1/2"	3/4"	8"	3"	12"	48.5
GEP0711M 20	20'	3/4	115	11	15A	1	Manual	Not Supplied	1 1/2"	3/4"	8"	3"	12"	48.5
GEP0711 30	30'	3/4	115	11	15A	1	Automatic	Vertical	1 1/2"	3/4"	8"	3"	12"	50
GEP0711M 30	30'	3/4	115	11	15A	1	Manual	Not Supplied	1 1/2"	3/4"	8"	3"	12"	50
GEP0712	10'	3/4	230	5.5	15A	1	Automatic	Vertical	1 1/2"	3/4"	8"	3"	12"	48
GEP0712M	10'	3/4	230	5.5	15A	1	Manual	Not Supplied	1 1/2"	3/4"	8"	3"	12"	48
GEP0712 20	20'	3/4	230	5.5	15A	1	Automatic	Vertical	1 1/2"	3/4"	8"	3"	12"	49.5
GEP0712M 20	20'	3/4	230	5.5	15A	1	Manual	Not Supplied	1 1/2"	3/4"	8"	3"	12"	49.5
GEP0712 30	30'	3/4	230	5.5	15A	1	Automatic	Vertical	1 1/2"	3/4"	8"	3"	12"	51
GEP0712M 30	30'	3/4	230	5.5	15A	1	Manual	Not Supplied	1 1/2"	3/4"	8"	3"	12"	51

DIMENSIONS

	A	B	C	D	E
All Models	12.74"	11.1"	6"	8.86"	12.01"



xylem
Let's Solve Water

Xylem Inc.
2881 East Bayard Street Ext., Suite A
Seneca Falls, NY 13148
Phone: (866) 325-4210
Fax: (888) 322-5877
www.xylem.com/goulds

Xylem is a registered trademark of Xylem, Inc., or one of its subsidiaries.
Goulds is a registered trademark of Goulds Pumps, Inc. and is used under license.
© 2022 Xylem Inc. BGEPSE R2 April 2022