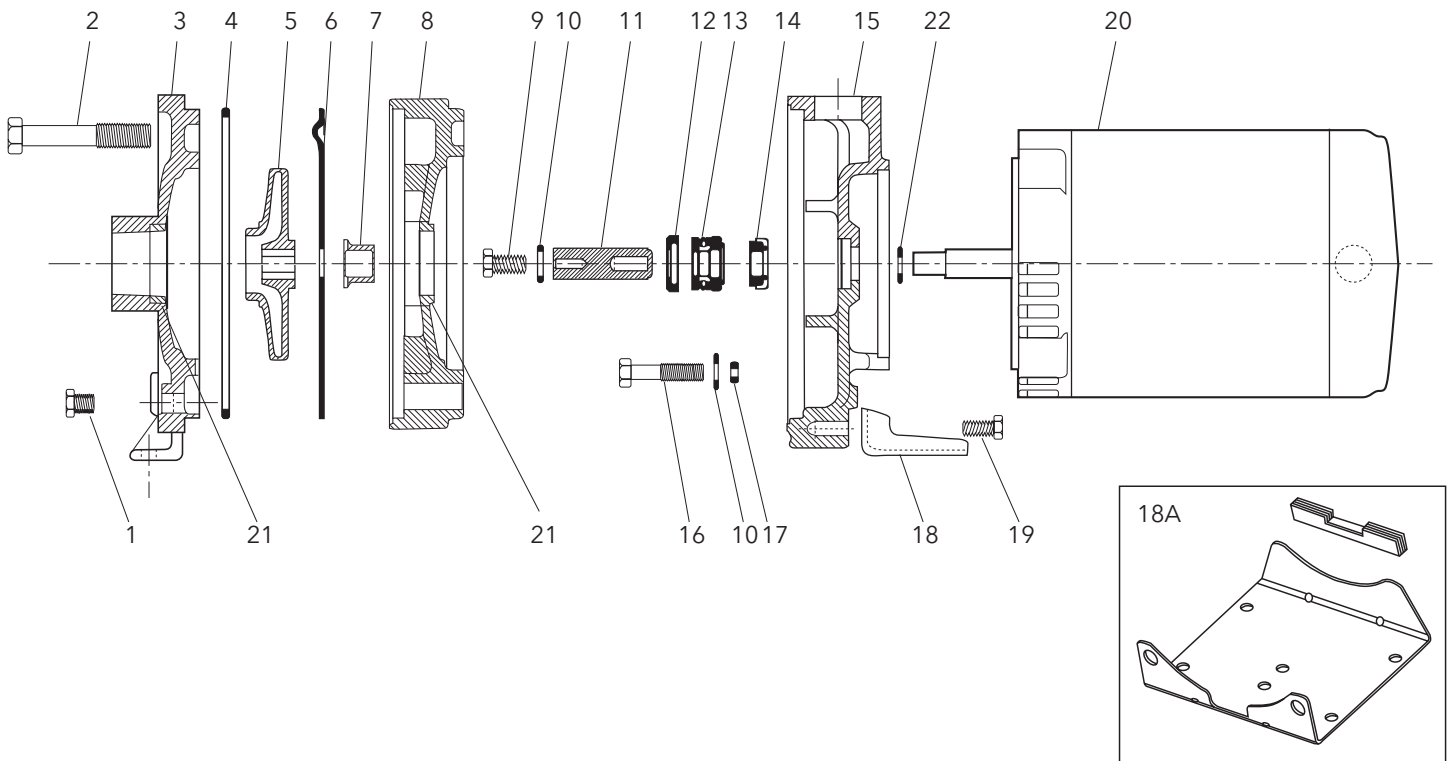


HSC

REPAIR PARTS



REPAIR PARTS / RHSC R2



| Item | Part No. | Part Name | Quantity | Pattern No. |
|------------------|----------|---|--------------------------------|-------------|
| 3 | ①1K291 | Casing | 1 | 59039 |
| 8 | 1K204 | Intermediate stage | (1 - 2 stage) (2 - 3 stage) | 59157 |
| 15 | 1K206 | Motor adapter | 1 | 59156 |
| 5 | 2K322 | Impeller - ¾ HP | 2 | |
| | 2K289 | Impeller - 1 HP | 2 | |
| | 2K323 | Impeller - 1½ HP | 2 | |
| | 2K289 | Impeller - 2 HP | 3 | |
| 18 | 4K376 | Foot (old style) | 1 | |
| 18A | 15K60 | Base and rubber channel | 1 | |
| 21 | 4K327 | Wear ring | (1 per 1K291 and 1K204) | |
| 7 | 4K328 | Sleeve | (1 - 2 stage) | |
| | | | (2 - 3 stage) | |
| 6 | 4K396 | Coverplate | (1 per impeller) | |
| 12 | 4K379 | Seal retainer | 1 | |
| | @4K331 | Shaft extension assembly - 2 stage, ¾, 1 and 1½ HP | 1 | |
| 9, 10, 11, 12 | @4K332 | Shaft extension assembly - 3 stage, 2 HP | 1 | |
| 22 | 5K7 | Deflector | 1 | |
| 17 | 5K147 | O-ring - motor adapter bolts | 4 | |
| 4 | 5K178 | O-ring - casing and intermediate stage | 1 per stage | |
| 1 | 6K2 | Pipe plug ¼" NPT | 3 | |
| 13, 14 | 10K10 | Shaft seal assembly | 1 | |
| 9 | 13K43 | Impeller bolt | 1 | |
| 19 | 13K71 | Bolt - foot to adapter | 1 | |
| 16 | 13K81 | Bolt - adapter to motor | 4 | |
| 10 | 13K212 | Washer - impeller (1) and adapter (4) | 5 | |
| 2 | 13K213 | Bolt - casing to adapter, 2 stage | 4 | |
| 2 | 13K214 | Bolt - casing to adapter, 3 stage | 4 | |

| Motor Codes | | | |
|-------------|----|-------|-----------|
| Item | HP | Model | Order No. |
| 20 | ¾ | HSC07 | J05853L |
| | 1 | HSC10 | J06853L |
| | 1½ | HSC15 | J07858L |
| | 2 | HSC20 | J08854L |

NOTES:

- ① 1K291 casing replaced the 1K201 which was on both the HSJ and the original HSC.
- ② Shaft Extension Assemblies 4K331 and 4K332 include: shaft extension, 4K379 seal retainer, 13K43 impeller bolt and 13K212 washer.

Xylem Inc.

Phone: (866) 673-0428

www.xylem.com/goulds

Goulds is a registered trademark of Goulds Pumps, Inc. and is used under license.

© 2020 Xylem Inc. RHSC R2 March 2020

