

BALDOR® • RELIANCE 

Product Information Packet

RL1209A

.5HP,2850//3450RPM,1PH,50//60HZ,48,3420L

Part Detail							
Revision:	A	Status:	PRD/A	Change #:		Proprietary:	No
Type:	AC	Elec. Spec:	34WGX041	CD Diagram:	CD0008	Mfg Plant:	
Mech. Spec:	34K014	Layout:	34LYK014	Poles:	02	Created Date:	01-23-2017
Base:	RS	Eff. Date:	05-09-2018	Leads:	6#18,1#16 #4TH		

Specs			
Catalog Number:	RL1209A	Heater Indicator:	No Heater
Enclosure:	OPEN	Insulation Class:	B
Frame:	48	Inverter Code:	Not Inverter
Frame Material:	Steel	KVA Code:	J
Output @ Frequency:	.500 HP @ 50 HZ	Lifting Lugs:	No Lifting Lugs
	.500 HP @ 60 HZ	Locked Bearing Indicator:	No Locked Bearing
Synchronous Speed @ Frequency:	3000 RPM @ 50 HZ	Motor Lead Quantity/Wire Size:	6 @ 18 AWG
Voltage @ Frequency:	230.0 V @ 60 HZ	Motor Lead Exit:	Terminal Panel Or Lead Hole
	220.0 V @ 50 HZ	Motor Lead Termination:	None
	115.0 V @ 60 HZ	Motor Type:	3420L
	110.0 V @ 50 HZ	Mounting Arrangement:	F1
XP Class and Group:	None	Power Factor:	69
XP Division:	Not Applicable	Product Family:	General Purpose
Agency Approvals:	CSA	Pulley End Bearing Type:	Ball
	UR	Pulley Face Code:	Resilient Mount
Auxillary Box:	No Auxillary Box	Pulley Shaft Indicator:	Standard
Auxillary Box Lead Termination:	None	Rodent Screen:	None
Base Indicator:	Resilient	RoHS Status:	ROHS COMPLIANT

Bearing Grease Type:	Polyrex EM (-20F +300F)	Shaft Extension Location:	Pulley End
Blower:	None	Shaft Ground Indicator:	No Shaft Grounding
Current @ Voltage:	6.600 A @ 110.0 V	Shaft Rotation:	Reversible
	6.000 A @ 115.0 V	Shaft Slinger Indicator:	No Slinger
	3.300 A @ 220.0 V	Speed Code:	Single Speed
	3.000 A @ 230.0 V	Motor Standards:	NEMA
Design Code:	N	Starting Method:	Direct on line
Drip Cover:	No Drip Cover	Thermal Device - Bearing:	NONE (OLD)
Duty Rating:	CONT	Thermal Device - Winding:	None
Electrically Isolated Bearing:	Not Electrically Isolated	Vibration Sensor Indicator:	No Vibration Sensor
Feedback Device:	NO FEEDBACK	Winding Thermal 1:	Automatic Thermal Overload
Front Face Code:	Resilient Mount	Winding Thermal 1 Location:	SB
Front Shaft Indicator:	None	Winding Thermal 2:	None

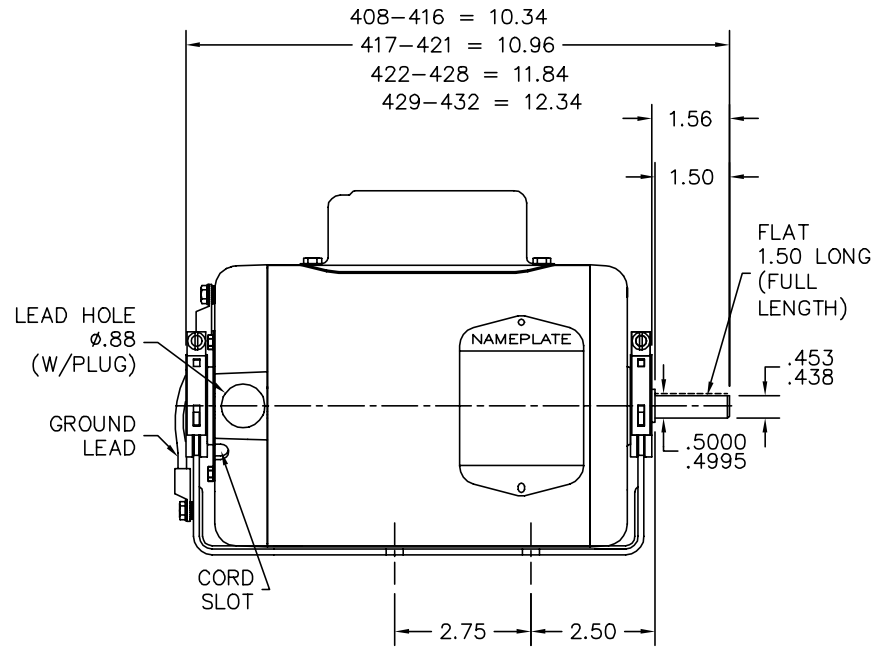
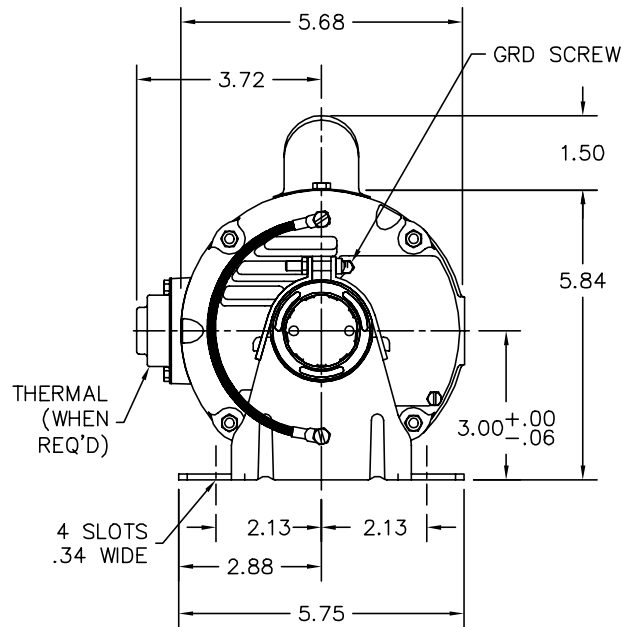
Nameplate NP1257L	
CAT.NO.	RL1209A
SPEC.	34K014X041G3
HP	.5
VOLTS	110/220//115/230
AMP	6.6/3.3//6/3
RPM	2850//3450
FRAME	48
HZ	50//60
PH	1
SER.F.	1.25
CODE	J
DES	N
CL	B
NEMA-NOM-EFF	74
PF	69
RATING	40C AMB-CONT
CC	USABLE AT 208V
DE	6203
ODE	6203
ENCL	OPEN
SN	
	SFA 8/4//7/3.5

Parts List		
Part Number	Description	Quantity
SA333011	SA 34K014X041G3	1.000 EA
RA321121	RA 34K014X041G3	1.000 EA
EC1189A02SP	61B2D120189NNBA ELEC CAP, 189-227MFD, 12	1.000 EA
11XT0832G06	8-32 X 3/8 TY 23 TAPPING	1.000 EA
LD5000A52	LEAD ASSY W/INTERNAL STAR RING TERMINALS	1.000 EA
11XW1032G06	10-32X3/8 HX WSHR HD,SLTDTYPE 23,GREEN	2.000 EA
51XW0832A07	8-32 X .44, TAPTITE II, HEX WSHR SLTD SE	3.000 EA
34EP3202A01	FR ENDPLATE, MACH	1.000 EA
RM1000A03	CUSHION RING, MDL 17-33-34	1.000 EA
HA6004A01A	CLAMP CUSHION RING ASSY	1.000 EA
WD4100A01	DP-875 HEYCO PLUG OR 62MP0875 MICRO PLAS	1.000 EA
34CB4800SP	CAPACITOR COVER, STAMPED PRIMED	1.000 EA
NS2500A01	INSULATOR, AUTO THER PROT	1.000 EA
51XB1016A05	10-16X5/16HX WA SL SR TYB (F/S)	2.000 EA
HW5100A03	WAVY WASHER (W1543-017)	1.000 EA
34EP3203A01	PU ENDPLATE, MACH	1.000 EA
RM1000A03	CUSHION RING, MDL 17-33-34	1.000 EA
HA6004A01A	CLAMP CUSHION RING ASSY	1.000 EA
XY1032A02	10-32 HEX NUT DIRECTIONAL SERRATION	4.000 EA
34CB4501SP	TERMINAL BOX LID, STAMPED X (PLATED)	1.000 EA
51XW0832A07	8-32 X .44, TAPTITE II, HEX WSHR SLTD SE	2.000 EA
MG1000G27	MED CHARCOAL METALLIC GREY 400-0096	0.014 GA
85XU0407S04	4X1/4 U DRIVE PIN STAINLESS	2.000 EA
34BA4001F01	RESILIENT BASE, 417-421	1.000 EA

Parts List (continued)		
Part Number	Description	Quantity
SP5075A01	34 TERM PANEL SWITCH, 8-RED, E-BLK	1.000 EA
HA3100A44	THRUBOLT 10-32 X 8.000	4.000 EA
MN416A01	TAG-INSTAL-MAINT no wire (1200/bx) 5/18	1.000 EA
LB1118	LABEL,WARNING (ROLL LABEL)	1.000 EA
LC0008	CONNECTION LABEL	1.000 EA
NP1257L	ALUM UL CSA CC THERMAL REV MTG	1.000 EA
34PA1002	PKG GRP, PRINT PK1001A01	1.000 EA

No performance data has been
assigned to this product.

34LYK014



CUSTOMER IS RESPONSIBLE FOR DETERMINING THAT BALDOR'S PRODUCT WILL PERFORM SUITABLY IN THE INTENDED APPLICATION.

REV. DESC: UPDATE GRAPHIC		
REV. LTR: N	VERSION: 02	TDR: 000001048074
FILE: \AAA\00012\388	REVISED: 09:53:38 10/30/2017	BY: ENVIENO
MTL: -	⊙ □	

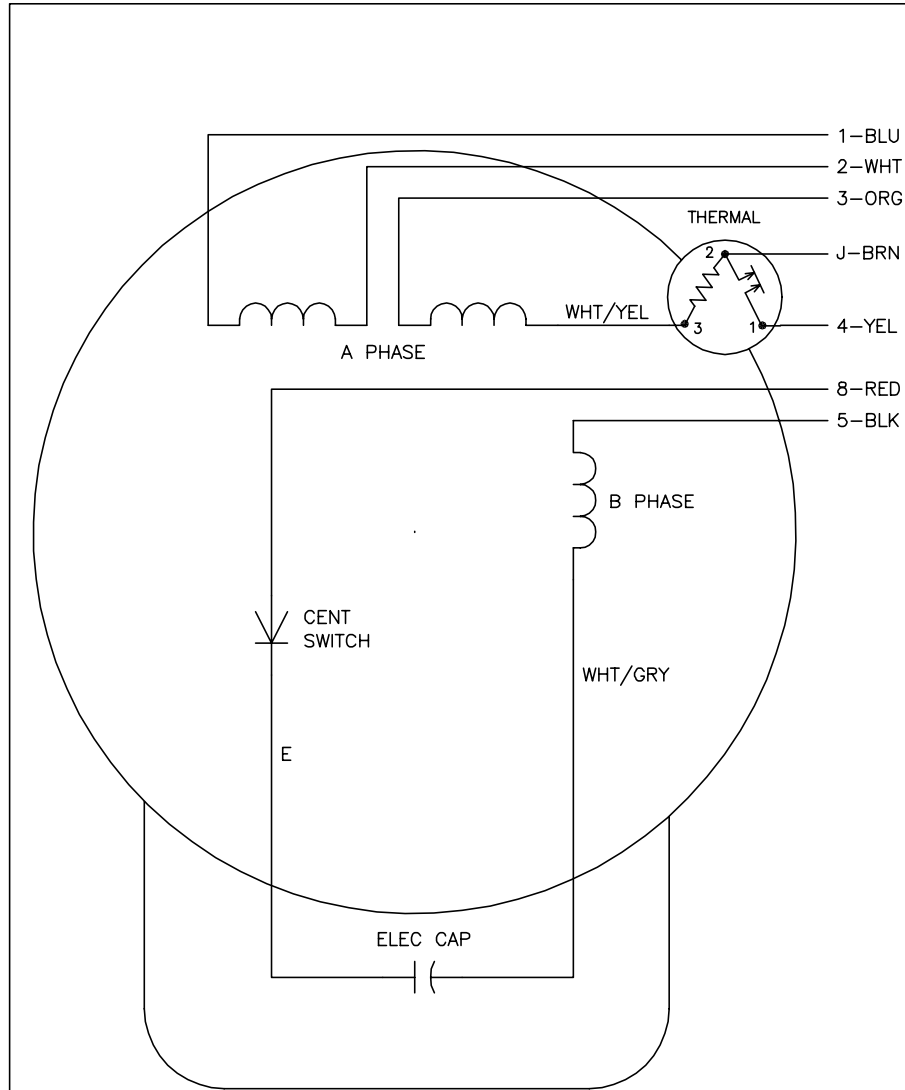
BALDOR

RESIL MTD 34L NEMA 48Z OPEN W/TERM PANEL

SH 1 of 1

34LYK014

CD0008



	LINE A	LINE B	JOIN	JOIN
HIGH STD	1	4	2,3,8	J,5
HIGH OPP	1	4	2,3,5	J,8
LOW STD	1,3,8	4	-	2,J,5
LOW OPP	1,3,5	4	-	2,J,8

NOTES:

1. STANDARD ROTATION IS CCW FACING END OPPOSITE SHAFT EXTENSION.
2. MULTIPLE CAPACITORS ARE CONNECTED IN PARALLEL UNLESS OTHERWISE SPECIFIED.
3. LEAD COLORS ARE OPTIONAL. LEADS MUST ALWAYS BE NUMBERED AS SHOWN.

REV. DESC: REMOVE 2-TERMINAL THERMAL DETAIL, SEE CD0008A02		
REV. LTR: F	VERSION: 01	TDR: 000000360649
80000	FILE: \AAA\00007\408	REVISED: 10:56:54 04/18/2005
	MTL: -	BY: ENJOEPO

BALDOR ELECTRIC Co.

TYPE L, DV, REV, THERMAL, 7 LEADS

CD0008