

BALDOR® • RELIANCE 

Product Information Packet

RL1307A277

.75HP, 1725RPM, 1PH, 60HZ, 56H, 3428L, OPEN, F1

Part Detail							
Revision:	A	Status:	PRD/A	Change #:		Proprietary:	No
Type:	AC	Elec. Spec:	34WGX691	CD Diagram:	CD0085	Mfg Plant:	
Mech. Spec:	34L986	Layout:	34LYL986	Poles:	04	Created Date:	08-21-2012
Base:	RS	Eff. Date:	07-19-2018	Leads:	5#18		

Specs			
Catalog Number:	RL1307A277	KVA Code:	M
Enclosure:	OPEN	Lifting Lugs:	No Lifting Lugs
Frame:	56H	Locked Bearing Indicator:	No Locked Bearing
Frame Material:	Steel	Motor Lead Quantity/Wire Size:	5 @ 18 AWG
Output @ Frequency:	.750 HP @ 60 HZ	Motor Lead Exit:	Terminal Panel
Synchronous Speed @ Frequency:	1800 RPM @ 60 HZ	Motor Lead Termination:	Flying Leads
Voltage @ Frequency:	277.0 V @ 60 HZ	Motor Type:	3428L
XP Class and Group:	None	Mounting Arrangement:	F1
XP Division:	Not Applicable	Power Factor:	69
Agency Approvals:	UR	Product Family:	General Purpose
	CSA	Pulley End Bearing Type:	Ball
Auxillary Box:	No Auxillary Box	Pulley Face Code:	Resilient Mount
Auxillary Box Lead Termination:	None	Pulley Shaft Indicator:	Standard
Base Indicator:	Resilient	Rodent Screen:	None
Bearing Grease Type:	Polyrex EM (-20F +300F)	Shaft Extension Location:	Pulley End
Blower:	None	Shaft Ground Indicator:	No Shaft Grounding
Current @ Voltage:	4.200 A @ 277.0 V	Shaft Rotation:	Reversible: Connected Standard
Design Code:	N	Shaft Slinger Indicator:	No Slinger

Drip Cover:	No Drip Cover	Speed Code:	Single Speed
Duty Rating:	CONT	Motor Standards:	NEMA
Electrically Isolated Bearing:	Not Electrically Isolated	Starting Method:	Direct on line
Feedback Device:	NO FEEDBACK	Thermal Device - Bearing:	NONE (OLD)
Front Face Code:	Resilient Mount	Thermal Device - Winding:	None
Front Shaft Indicator:	None	Vibration Sensor Indicator:	No Vibration Sensor
Heater Indicator:	No Heater	Winding Thermal 1:	Automatic Thermal Overload
Insulation Class:	F	Winding Thermal 1 Location:	SB
Inverter Code:	Not Inverter	Winding Thermal 2:	None

Nameplate NP1257L	
CAT.NO.	RL1307A277
SPEC.	34L986X691G1
HP	.75
VOLTS	277
AMP	4.2
RPM	1725
FRAME	56H
	HZ 60
	PH 1
SER.F.	1.25
	CODE M
	DES N
	CL F
NEMA-NOM-EFF	66
	PF 69
RATING	40C AMB-CONT
CC	USABLE AT 208V
DE	6203
	ODE 6203
ENCL	OPEN
	SN
	SFA 4.6

Parts List		
Part Number	Description	Quantity
SA249914	SA 34L986X691G1	1.000 EA
RA236774	RA 34L986X691G1	1.000 EA
EC1108C03	ELEC CAP, 108-130 MFD, 250V, 1.81D X 3.	1.000 EA
34EP3202A01	FR ENDPLATE, MACH	1.000 EA
11XT0832G06	8-32 X 3/8 TY 23 TAPPING	1.000 EA
RM1000A03	CUSHION RING, MDL 17-33-34	1.000 EA
HA6004A01A	CLAMP CUSHION RING ASSY	1.000 EA
LD5000A52	LEAD ASSY W/INTERNAL STAR RING TERMINALS	1.000 EA
11XT1032A06	10-32 X 3/8 HX WSHR HD SLTD TYPE 23	2.000 EA
33CB4800A02	CAPACITOR COVER, STAMPED	1.000 EA
51XB1016A05	10-16X5/16HX WA SL SR TYB (F/S)	2.000 EA
HW5100A03	WAVY WASHER (W1543-017)	1.000 EA
51XW0832A07	8-32 X .44, TAPTITE II, HEX WSHR SLTD SE	3.000 EA
34EP3203A01	PU ENDPLATE, MACH	1.000 EA
RM1000A03	CUSHION RING, MDL 17-33-34	1.000 EA
HA6004A01A	CLAMP CUSHION RING ASSY	1.000 EA
XY1032A02	10-32 HEX NUT DIRECTIONAL SERRATION	4.000 EA
34CB4501SP	TERMINAL BOX LID, STAMPED X (PLATED)	1.000 EA
51XW0832A07	8-32 X .44, TAPTITE II, HEX WSHR SLTD SE	2.000 EA
HW2501D13	KEY, 3/16 SQ X 1.375	1.000 EA
HA7000A04	KEY RETAINER 0.625 DIA SHAFTS	1.000 EA
34BA4011G01	RESILIENT BASE, MODEL 34 NEMA 56H	1.000 EA
MG1000G27	MED CHARCOAL METALLIC GREY 400-0096	0.014 GA
85XU0407S04	4X1/4 U DRIVE PIN STAINLESS	2.000 EA

Parts List (continued)		
Part Number	Description	Quantity
34GS5003A01	FOAM SLEEVE, ID = 2 1/16" X 4 3/8"	1.000 EA
HA3100A45	THRUBOLT 10-32 X 8.875	4.000 EA
SP5068A04	MODEL 34 TERMINAL PANEL SWITCH WITH LEAD	1.000 EA
LC0085	CONNECTION LABEL	1.000 EA
LB1118	LABEL,WARNING (ROLL LABEL)	1.000 EA
MN416A01	TAG-INSTAL-MAINT no wire (1200/bx) 5/18	1.000 EA
NP1257L	ALUM UL CSA CC THERMAL REV MTG	1.000 EA
35PA1000	PKG GRP, PRINT PK1008A06	1.000 EA

AC Induction Motor Performance Data

Record # 50726 - Typical performance - not guaranteed values

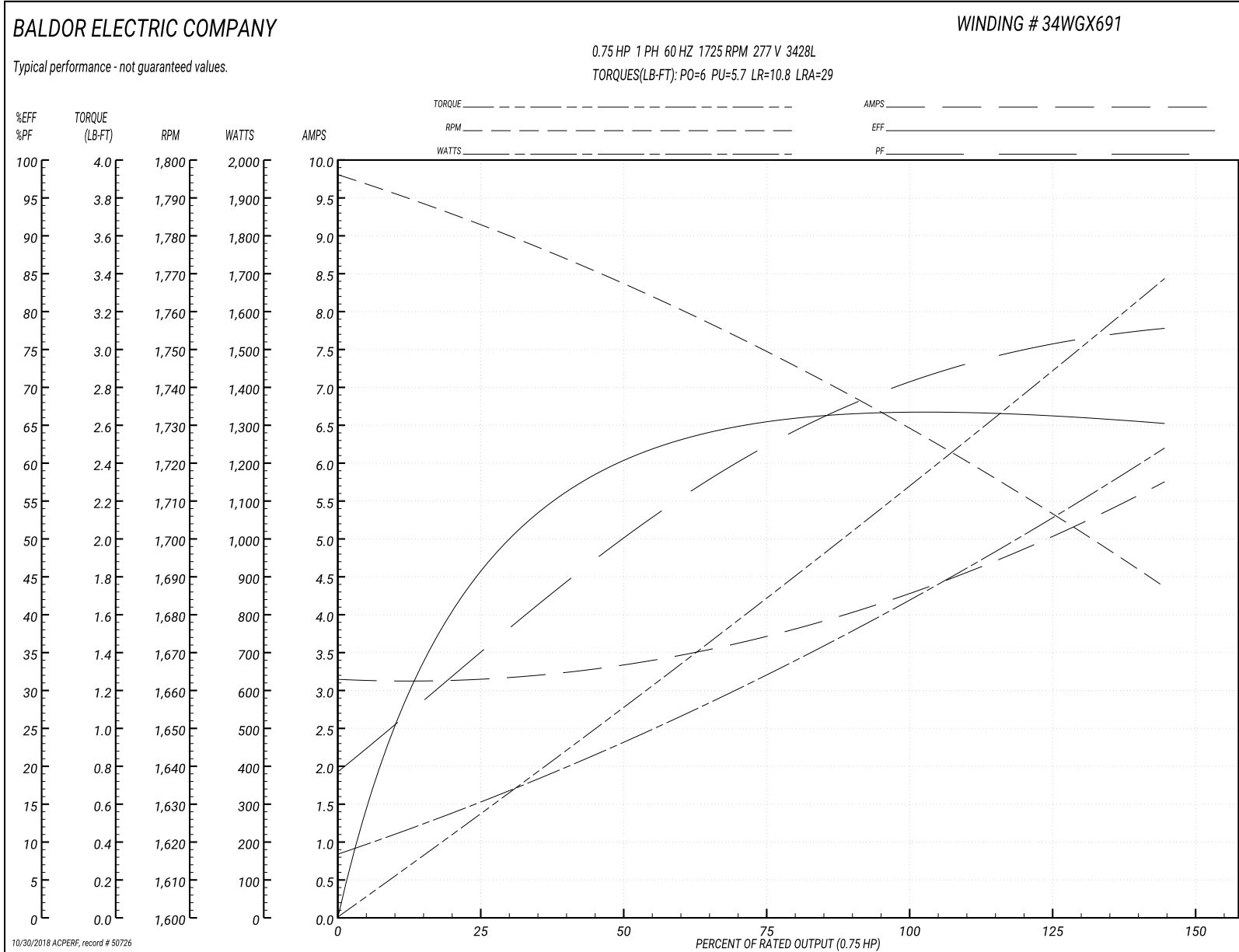
Winding: 34WGX691-R002	Type: 3428L	Enclosure: OPEN
-------------------------------	--------------------	------------------------

Nameplate Data				277 V, 60 Hz: Single Voltage Motor	
Rated Output (HP)	.75			Full Load Torque	2.25 LB-FT
Volts	277			Start Configuration	direct on line
Full Load Amps	4.2			Breakdown Torque	6 LB-FT
R.P.M.	1725			Pull-up Torque	5.7 LB-FT
Hz	60	Phase	1	Locked-rotor Torque	10.8 LB-FT
NEMA Design Code	N	KVA Code	M	Starting Current	29 A
Service Factor (S.F.)	1.25			No-load Current	3.1 A
NEMA Nom. Eff.	66	Power Factor	69	Line-line Res. @ 25°C	3.94 Ω A Ph 6.8 Ω B Ph
Rating - Duty	40C AMB-CONT			Temp. Rise @ Rated Load	75°C
S.F. Amps	4.6			Temp. Rise @ S.F. Load	91°C
				Locked-rotor Power Factor	98.9
				Rotor inertia	0.0665 LB-FT ²

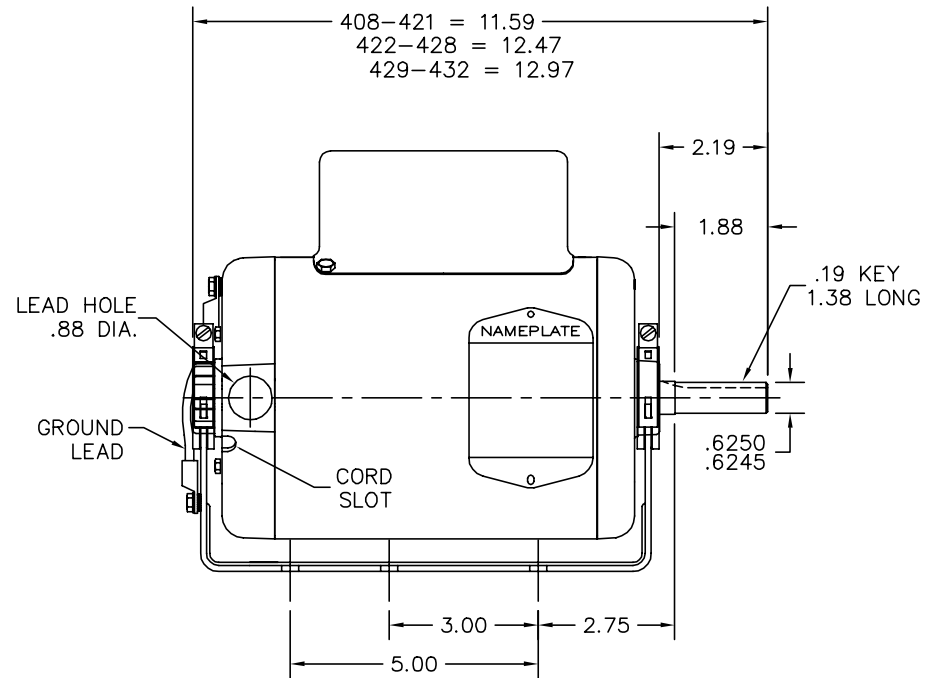
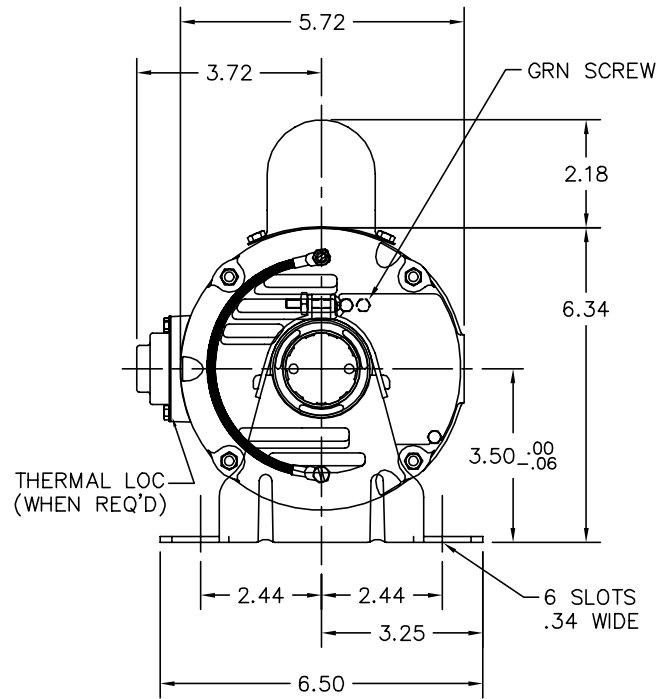
Load Characteristics 277 V, 60 Hz, 0.75 HP

% of Rated Load	25	50	75	100	125	150	S.F.
Power Factor	37	50	62	71	75	78	75
Efficiency	43.4	60.3	65.7	67.4	67	64.7	67
Speed	1779	1765	1750	1733	1711	1685	1711
Line amperes	3.2	3.4	3.7	4.2	4.9	5.8	4.9

Performance Graph at 277V, 60Hz, 0.75HP Typical performance - Not guaranteed values



34LYL986



CUSTOMER IS RESPONSIBLE FOR DETERMINING THAT BALDOR'S PRODUCT WILL PERFORM SUITABLY IN THE INTENDED APPLICATION.

REV. DESC: NEW		
REV. LTR: -	VERSION: 00	TDR: 000000761271
FILE: \AAA\00194\358		REVISED: 06:38:31 08/21/2012
MTL: -		BY: ENROSTO

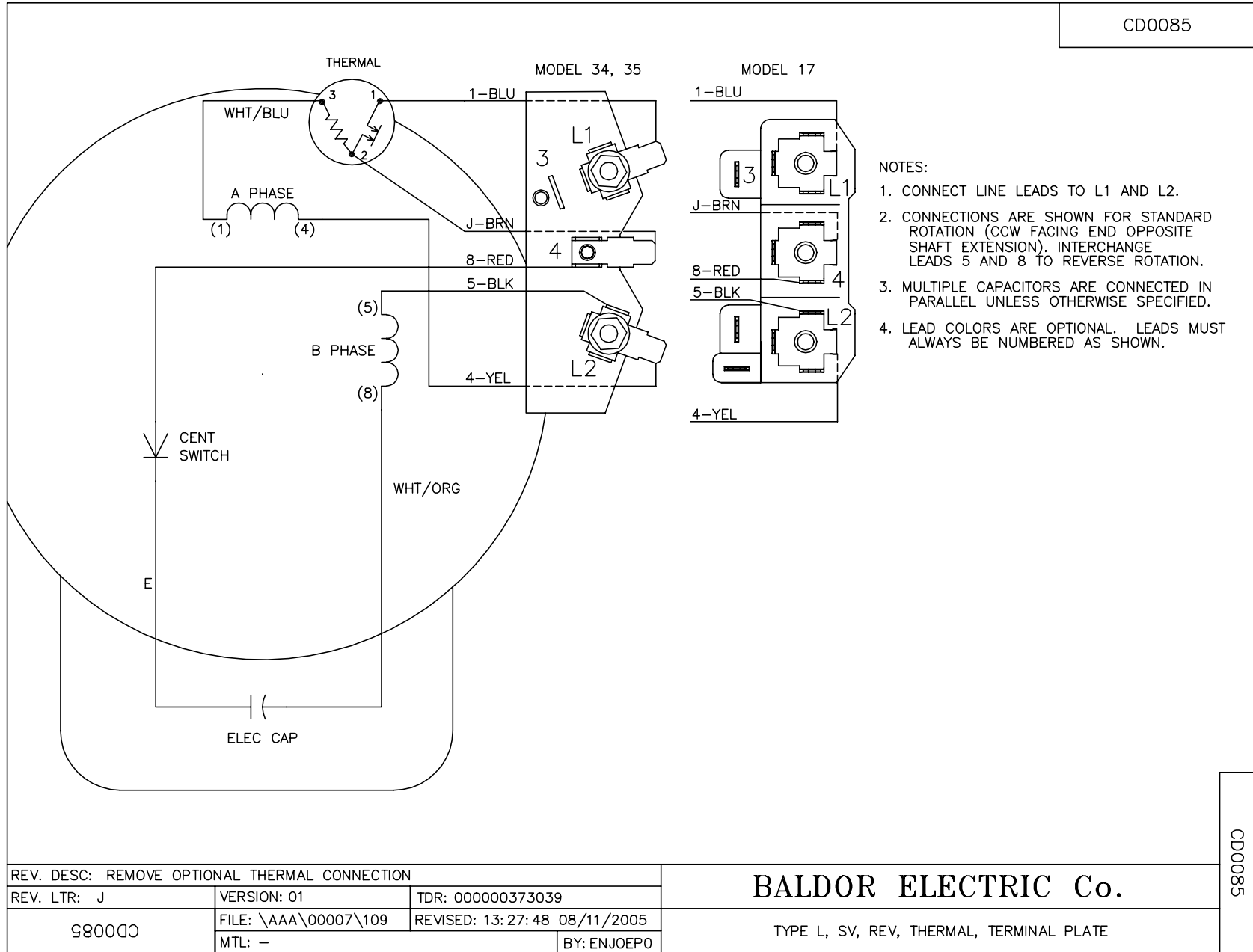
BALDOR

RESIL 34L NEMA 56/56H OPEN W/35 CAPAC BOX

SH 1 of 1

34LYL986

CD0085



CD0085

REV. DESC: REMOVE OPTIONAL THERMAL CONNECTION		
REV. LTR: J	VERSION: 01	TDR: 000000373039
CD0085	FILE: \AAA\00007\109	REVISED: 13:27:48 08/11/2005
	MTL: -	BY: ENJOEPO

BALDOR ELECTRIC Co.

TYPE L, SV, REV, THERMAL, TERMINAL PLATE