

**BALDOR® • RELIANCE** 

**Product Information Packet**

**RL1310A277**

**1HP/1725RPM/1PH/OPEN/NEMA 56/56H**

Part Detail							
Revision:	AE	Status:	PRD/A	Change #:		Proprietary:	No
Type:	AC	Elec. Spec:	35WG507	CD Diagram:	CD0085	Mfg Plant:	
Mech. Spec:	35E410	Layout:	35LYE410	Poles:	04	Created Date:	
Base:	RS	Eff. Date:	06-08-2018	Leads:	5#18		

Specs			
Catalog Number:	RL1310A277	KVA Code:	H
Enclosure:	OPEN	Lifting Lugs:	No Lifting Lugs
Frame:	56/56H	Locked Bearing Indicator:	No Locked Bearing
Frame Material:	Steel	Motor Lead Quantity/Wire Size:	5 @ 18 AWG
Output @ Frequency:	1.000 HP @ 60 HZ	Motor Lead Exit:	Terminal Panel
Synchronous Speed @ Frequency:	1800 RPM @ 60 HZ	Motor Lead Termination:	Flying Leads
Voltage @ Frequency:	277.0 V @ 60 HZ	Motor Type:	3528L
XP Class and Group:	None	Mounting Arrangement:	F1
XP Division:	Not Applicable	Product Family:	General Purpose
Agency Approvals:	UR	Pulley End Bearing Type:	Ball
	CSA	Pulley Face Code:	Resilient Mount
Auxillary Box:	No Auxillary Box	Pulley Shaft Indicator:	Standard
Auxillary Box Lead Termination:	None	Rodent Screen:	None
Base Indicator:	Resilient	RoHS Status:	ROHS COMPLIANT
Bearing Grease Type:	Polyrex EM (-20F +300F)	Shaft Extension Location:	Pulley End
Blower:	None	Shaft Ground Indicator:	No Shaft Grounding
Current @ Voltage:	5.400 A @ 277.0 V	Shaft Rotation:	Reversible: Connected Standard
Design Code:	L	Shaft Slinger Indicator:	No Slinger

<b>Drip Cover:</b>	No Drip Cover	<b>Speed Code:</b>	Single Speed
<b>Duty Rating:</b>	CONT	<b>Motor Standards:</b>	NEMA
<b>Electrically Isolated Bearing:</b>	Not Electrically Isolated	<b>Starting Method:</b>	Direct on line
<b>Feedback Device:</b>	NO FEEDBACK	<b>Thermal Device - Bearing:</b>	NONE (OLD)
<b>Front Face Code:</b>	Terminal Panel	<b>Thermal Device - Winding:</b>	Do Not Use Eve-Not Valid
<b>Front Shaft Indicator:</b>	None	<b>Vibration Sensor Indicator:</b>	No Vibration Sensor
<b>Heater Indicator:</b>	No Heater	<b>Winding Thermal 1:</b>	Automatic Thermal Overload
<b>Insulation Class:</b>	F	<b>Winding Thermal 1 Location:</b>	SB
<b>Inverter Code:</b>	Not Inverter	<b>Winding Thermal 2:</b>	None

<b>Nameplate NP1257L</b>	
<b>CAT.NO.</b>	RL1310A277
<b>SPEC.</b>	35E410X507
<b>HP</b>	1
<b>VOLTS</b>	277
<b>AMP</b>	5.4
<b>RPM</b>	1725
<b>FRAME</b>	56/56H
<b>HZ</b>	60
<b>PH</b>	1
<b>SER.F.</b>	1.15
<b>CODE</b>	H
<b>DES</b>	L
<b>CL</b>	F
<b>NEMA-NOM-EFF</b>	
<b>PF</b>	
<b>RATING</b>	40C AMB-CONT
<b>CC</b>	
<b>USABLE AT 208V</b>	
<b>DE</b>	6203
<b>ODE</b>	6203
<b>ENCL</b>	OPEN
<b>SN</b>	

Parts List		
Part Number	Description	Quantity
SA024172	SA 35E410X507	1.000 EA
RA020222	RA 35E410X507	1.000 EA
EC1161C06SP	ELEC CAP, 161-193 MFD, 250V, 2.06D X 4.	1.000 EA
TP5059	GENERIC THERMAL KIT	1.000 EA
35CB4500SP	TERMINAL BOX LID STAMPED	1.000 EA
51XW0832A07	8-32 X .44, TAPTITE II, HEX WSHR SLTD SE	2.000 EA
11XT0832G06	8-32 X 3/8 TY 23 TAPPING	1.000 EA
LD5000A01	LEAD ASSY, ML1400DF14 7" RING TRM EA END	1.000 EA
51XW1032A06	10-32 X .38, TAPTITE II, HEX WSHR SLTD S	2.000 EA
HW1003A10	WASHER, #10 EX TH LK, ZN X	2.000 EA
35EP3202A01	STD OPEN FR EP - RESILIENT MTD	1.000 EA
51XW0832A07	8-32 X .44, TAPTITE II, HEX WSHR SLTD SE	3.000 EA
RM1000A02	CUSHION RING, MODEL 35 SAME AS A07	1.000 EA
HA6005A01	CLAMP, BASE	2.000 EA
12XN1032A18	10-32 X 1 1/4 HEX HD SLTD	1.000 EA
XY1032A02	10-32 HEX NUT DIRECTIONAL SERRATION	1.000 EA
XY1032A02	10-32 HEX NUT DIRECTIONAL SERRATION	1.000 EA
51XB1016A05	10-16X5/16HX WA SL SR TYB (F/S)	2.000 EA
HW5100A03	WAVY WASHER (W1543-017)	1.000 EA
35EP3203A01	STD PU EP, OPEN RESIL MTG	1.000 EA
RM1000A02	CUSHION RING, MODEL 35 SAME AS A07	1.000 EA
HA6005A01	CLAMP, BASE	2.000 EA
12XN1032A18	10-32 X 1 1/4 HEX HD SLTD	1.000 EA
XY1032A02	10-32 HEX NUT DIRECTIONAL SERRATION	4.000 EA

<b>Parts List (continued)</b>		
<b>Part Number</b>	<b>Description</b>	<b>Quantity</b>
HW2501D13	KEY, 3/16 SQ X 1.375	1.000 EA
HA7000A04	KEY RETAINER 0.625 DIA SHAFTS	1.000 EA
85XU0407S04	4X1/4 U DRIVE PIN STAINLESS	2.000 EA
WD4100A01	DP-875 HEYCO PLUG OR 62MP0875 MICRO PLAS	1.000 EA
MJ1000A02	GREASE, POLYREX EM EXXON (USe 4824-15A)	0.050 LB
MG1000G27	MED CHARCOAL METALLIC GREY 400-0096	0.017 GA
35BA4002B01	RESILIENT BASE, STAMPED	1.000 EA
35CB4802A02SP	CAPACITOR COVER, STAMPED X	1.000 EA
SP5066A01	35 TERM PANEL SWITCH W/E-BLK, 8-RED	1.000 EA
HA3100A18	THRUBOLT 10-32 X 9.250	4.000 EA
LB1118	LABEL,WARNING (ROLL LABEL)	1.000 EA
LC0085	CONNECTION LABEL	1.000 EA
NP1257L	ALUM UL CSA CC THERMAL REV MTG	1.000 EA
35PA1066	PKG GRP, PRINT PK1008A06	1.000 EA
MN416A01	TAG-INSTAL-MAINT no wire (1200/bx) 5/18	1.000 EA

**AC Induction Motor Performance Data**

Record # 61944 - Typical performance - not guaranteed values

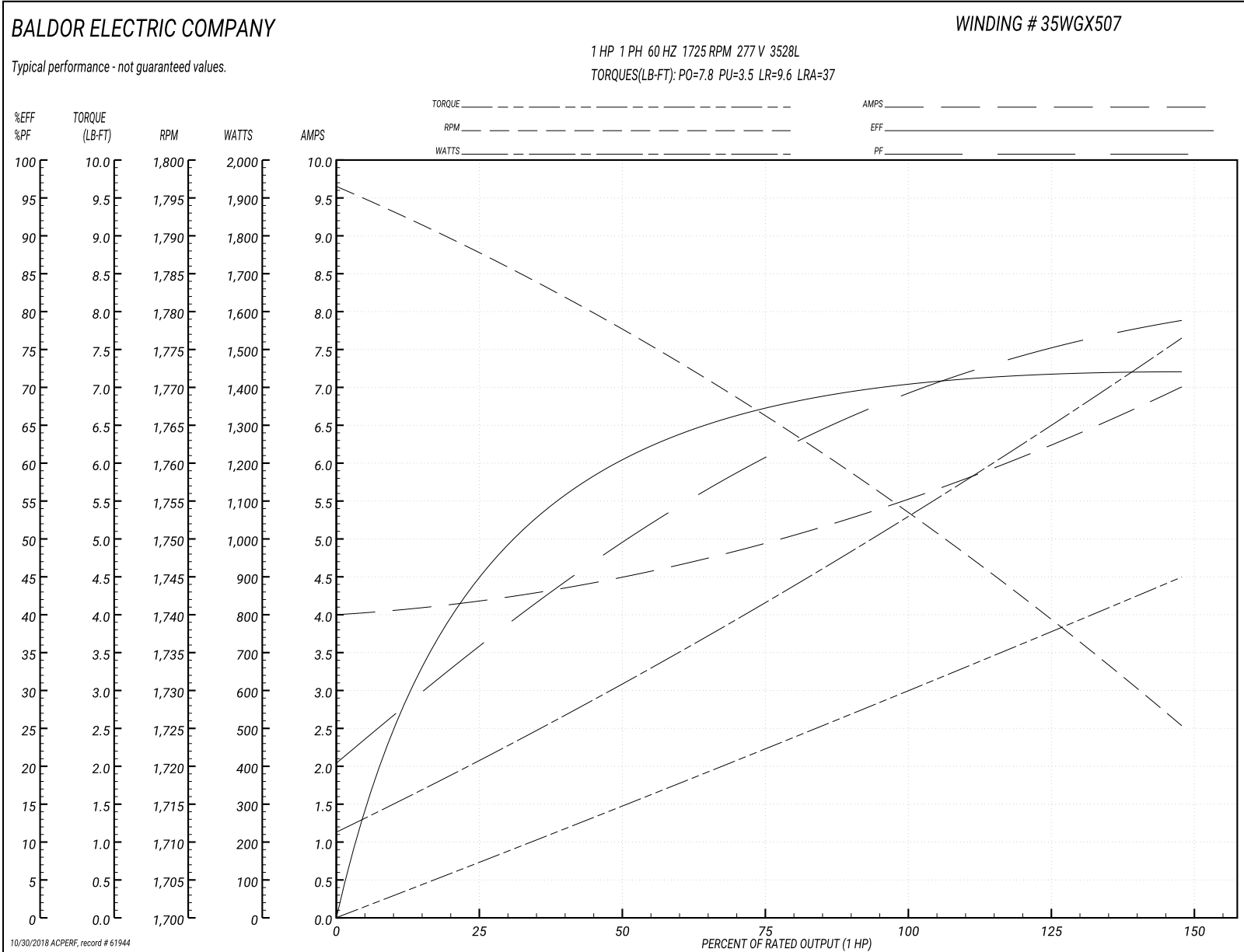
<b>Winding:</b> 35WGX507-R002	<b>Type:</b> 3528L	<b>Enclosure:</b> OPEN
-------------------------------	--------------------	------------------------

Nameplate Data				277 V, 60 Hz: Single Voltage Motor	
Rated Output (HP)	1			Full Load Torque	3 LB-FT
Volts	277			Start Configuration	direct on line
Full Load Amps	5.4			Breakdown Torque	7.8 LB-FT
R.P.M.	1725			Pull-up Torque	3.5 LB-FT
Hz	60	Phase	1	Locked-rotor Torque	9.6 LB-FT
NEMA Design Code	L	KVA Code	H	Starting Current	37 A
Service Factor (S.F.)	1.15			No-load Current	4 A
NEMA Nom. Eff.	0	Power Factor	0	Line-line Res. @ 25°C	3.01 Ω A Ph 6.08 Ω B Ph
Rating - Duty	40C AMB-CONT			Temp. Rise @ Rated Load	42°C
S.F. Amps				Temp. Rise @ S.F. Load	47°C
				Locked-rotor Power Factor	97.1
				Rotor inertia	0.166 LB-FT <sup>2</sup>

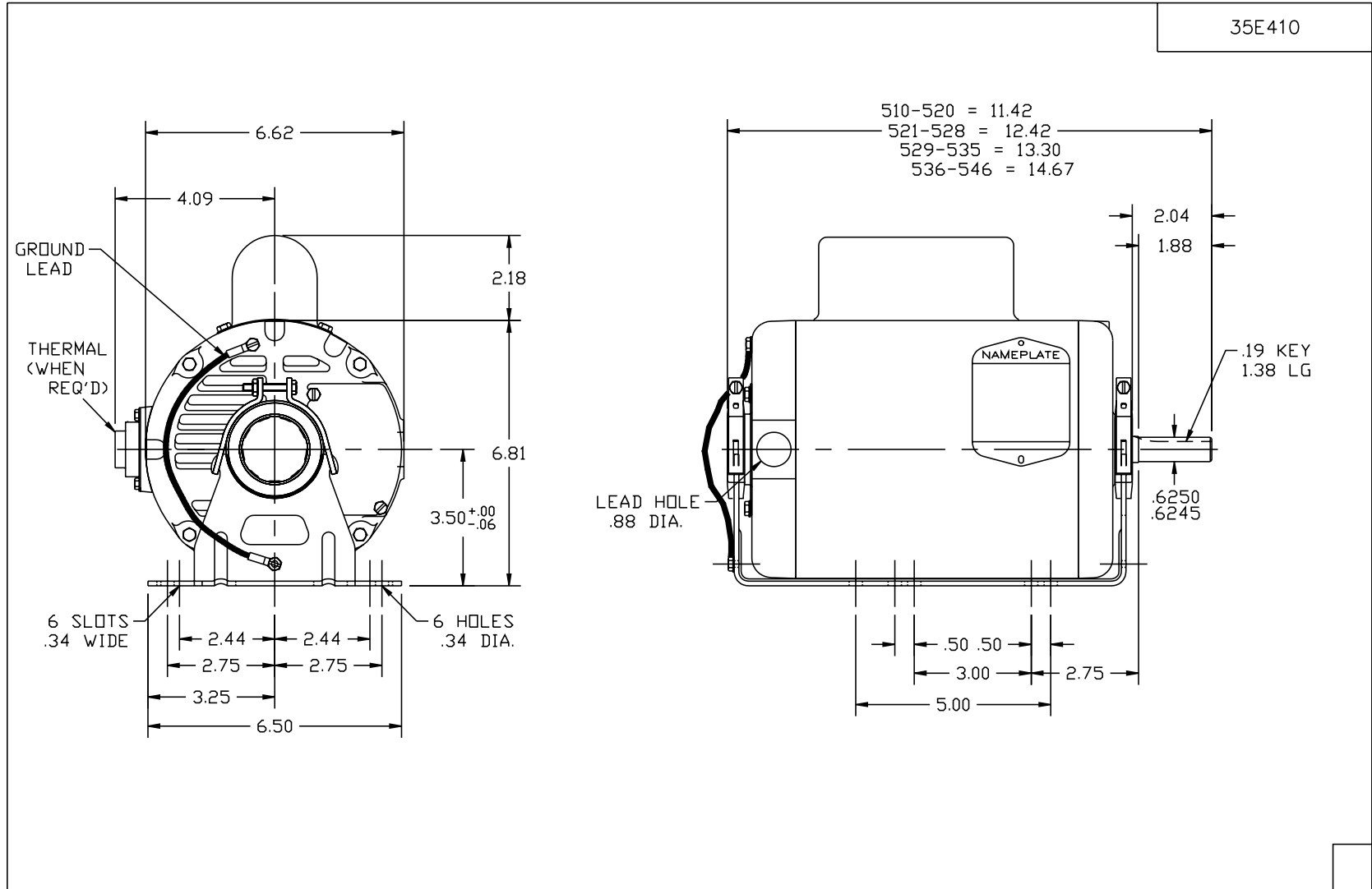
Load Characteristics 277 V, 60 Hz, 1 HP

% of Rated Load	25	50	75	100	125	150	S.F.
Power Factor	36	50	62	68	75	79	72
Efficiency	44.9	60.4	67.4	70.7	71.9	71.9	71.4
Speed	1787	1777	1766	1754	1740	1725	1746
Line amperes	4.2	4.5	4.9	5.6	6.2	7	5.96

Performance Graph at 277V, 60Hz, 1.0HP Typical performance - Not guaranteed values







CUST. NAME		CUST. P.O.		CERTIFIED BY		MODEL		INSUL		AMB	
H.P.		MTG		TYPE		R.P.M.		VOLTS		ENCL	
PHASE		FREQ		FRAME		REMARKS:					
REV:	D	UPDATED TO ACAD									
017392		SCALE: .3	BY: PGM	REVISED: 06/30/94		<b>BALDOR ELECTRIC Co.</b> STANDARD RESIL MTD NEMA 56/56H OPEN 35L W/TERM PANEL					
35E410		FILE: AAA00012336	TDR: 0046763								

35E410

CD0085

