

**BALDOR® • RELIANCE** 

**Product Information Packet**

**RM3108A**

**.5 AIR OVERHP,1725RPM,3PH,60HZ,56,3413M**

Part Detail							
Revision:	G	Status:	PRD/A	Change #:		Proprietary:	No
Type:	AC	Elec. Spec:	34WGR030	CD Diagram:	CD0007	Mfg Plant:	
Mech. Spec:	34K019	Layout:	34LYK019	Poles:	04	Created Date:	04-05-2013
Base:	RS	Eff. Date:	07-03-2018	Leads:	12#18		

Specs			
Catalog Number:	RM3108A	Inverter Code:	Not Inverter
Enclosure:	OPEN	KVA Code:	J
Frame:	56	Lifting Lugs:	No Lifting Lugs
Frame Material:	Steel	Locked Bearing Indicator:	No Locked Bearing
Output @ Frequency:	.500 HP @ 60 HZ	Motor Lead Quantity/Wire Size:	12 @ 18 AWG
Synchronous Speed @ Frequency:	1800 RPM @ 60 HZ	Motor Lead Exit:	Terminal Panel
Voltage @ Frequency:	460.0 V @ 60 HZ	Motor Lead Termination:	Flying Leads
	230.0 V @ 60 HZ	Motor Type:	3413M
XP Class and Group:	None	Mounting Arrangement:	F1
XP Division:	Not Applicable	Power Factor:	68
Agency Approvals:	CSA	Product Family:	General Purpose
	UR	Pulley End Bearing Type:	Ball
Auxillary Box:	No Auxillary Box	Pulley Face Code:	Resilient Mount
Auxillary Box Lead Termination:	None	Pulley Shaft Indicator:	Standard
Base Indicator:	Resilient	Rodent Screen:	None
Bearing Grease Type:	Polyrex EM (-20F +300F)	RoHS Status:	ROHS COMPLIANT
Blower:	None	Shaft Extension Location:	Pulley End
Current @ Voltage:	.900 A @ 460.0 V	Shaft Ground Indicator:	No Shaft Grounding

	1.800 A @ 230.0 V	<b>Shaft Rotation:</b>	Reversible
	2.300 A @ 208.0 V	<b>Shaft Slinger Indicator:</b>	No Slinger
<b>Design Code:</b>	B	<b>Speed Code:</b>	Single Speed
<b>Drip Cover:</b>	No Drip Cover	<b>Motor Standards:</b>	NEMA
<b>Duty Rating:</b>	CONT	<b>Starting Method:</b>	Direct on line
<b>Electrically Isolated Bearing:</b>	Not Electrically Isolated	<b>Thermal Device - Bearing:</b>	NONE (OLD)
<b>Feedback Device:</b>	NO FEEDBACK	<b>Thermal Device - Winding:</b>	None
<b>Front Face Code:</b>	Resilient Mount	<b>Vibration Sensor Indicator:</b>	No Vibration Sensor
<b>Front Shaft Indicator:</b>	None	<b>Winding Thermal 1:</b>	Automatic Thermal Overload
<b>Heater Indicator:</b>	No Heater	<b>Winding Thermal 1 Location:</b>	SB
<b>Insulation Class:</b>	B	<b>Winding Thermal 2:</b>	None

<b>Nameplate NP1257L</b>	
<b>CAT.NO.</b>	RM3108A
<b>SPEC.</b>	34K019R030G1
<b>HP</b>	.5 AIR OVER
<b>VOLTS</b>	230/460
<b>AMP</b>	1.8/.9
<b>RPM</b>	1725
<b>FRAME</b>	56
<b>HZ</b>	60
<b>PH</b>	3
<b>SER.F.</b>	1.25
<b>CODE</b>	J
<b>DES</b>	B
<b>CL</b>	B
<b>NEMA-NOM-EFF</b>	72
<b>PF</b>	68
<b>RATING</b>	40C AMB-CONT
<b>CC</b>	USABLE AT 208V 2.3
<b>DE</b>	6203
<b>ODE</b>	6203
<b>ENCL</b>	OPEN
<b>SN</b>	
	SFA 2/1

Parts List		
Part Number	Description	Quantity
SA261123	SA 34K019R030G1	1.000 EA
RA247861	RA 34K019R030G1	1.000 EA
SP1000A09	TERM BOARD, MODEL 34 SW, (RPL SP1000A01)	1.000 EA
34CB4501SP	TERMINAL BOX LID, STAMPED X (PLATED)	1.000 EA
51XW0832A07	8-32 X .44, TAPTITE II, HEX WSHR SLTD SE	2.000 EA
51XW0832A07	8-32 X .44, TAPTITE II, HEX WSHR SLTD SE	2.000 EA
LD5000A52	LEAD ASSY W/INTERNAL STAR RING TERMINALS	1.000 EA
11XT1032A06	10-32 X 3/8 HX WSHR HD SLTD TYPE 23	2.000 EA
34EP3202A01	FR ENDPLATE, MACH	1.000 EA
RM1000A03	CUSHION RING, MDL 17-33-34	1.000 EA
RM1000A03	CUSHION RING, MDL 17-33-34	1.000 EA
HA6004A01A	CLAMP CUSHION RING ASSY	2.000 EA
WD4100A01	DP-875 HEYCO PLUG OR 62MP0875 MICRO PLAS	1.000 EA
51XW0832G07	8-32 X 7/16 TY23 HXWS SLDSR GR	1.000 EA
HW5100A03	WAVY WASHER (W1543-017)	1.000 EA
34EP3203A01	PU ENDPLATE, MACH	1.000 EA
XY1032A02	10-32 HEX NUT DIRECTIONAL SERRATION	4.000 EA
HW2501D13	KEY, 3/16 SQ X 1.375	1.000 EA
HA7000A04	KEY RETAINER 0.625 DIA SHAFTS	1.000 EA
MG1000G27	MED CHARCOAL METALLIC GREY 400-0096	0.014 GA
85XU0407S04	4X1/4 U DRIVE PIN STAINLESS	2.000 EA
HA3100A12	THRUBOLT 10-32 X 7.375	4.000 EA
34BA4003A01SP	RESILIENT BASE, (LENGTH 8.22")	1.000 EA
MN416A01	TAG-INSTAL-MAINT no wire (1200/bx) 5/18	1.000 EA

<b>Parts List (continued)</b>		
<b>Part Number</b>	<b>Description</b>	<b>Quantity</b>
LC0007	CONNECTION LABEL	1.000 EA
LB1118	LABEL,WARNING (ROLL LABEL)	1.000 EA
NP1257L	ALUM UL CSA CC THERMAL REV MTG	1.000 EA
35PA1000	PKG GRP, PRINT PK1008A06	1.000 EA

**AC Induction Motor Performance Data**

Record # 41850 - Typical performance - not guaranteed values

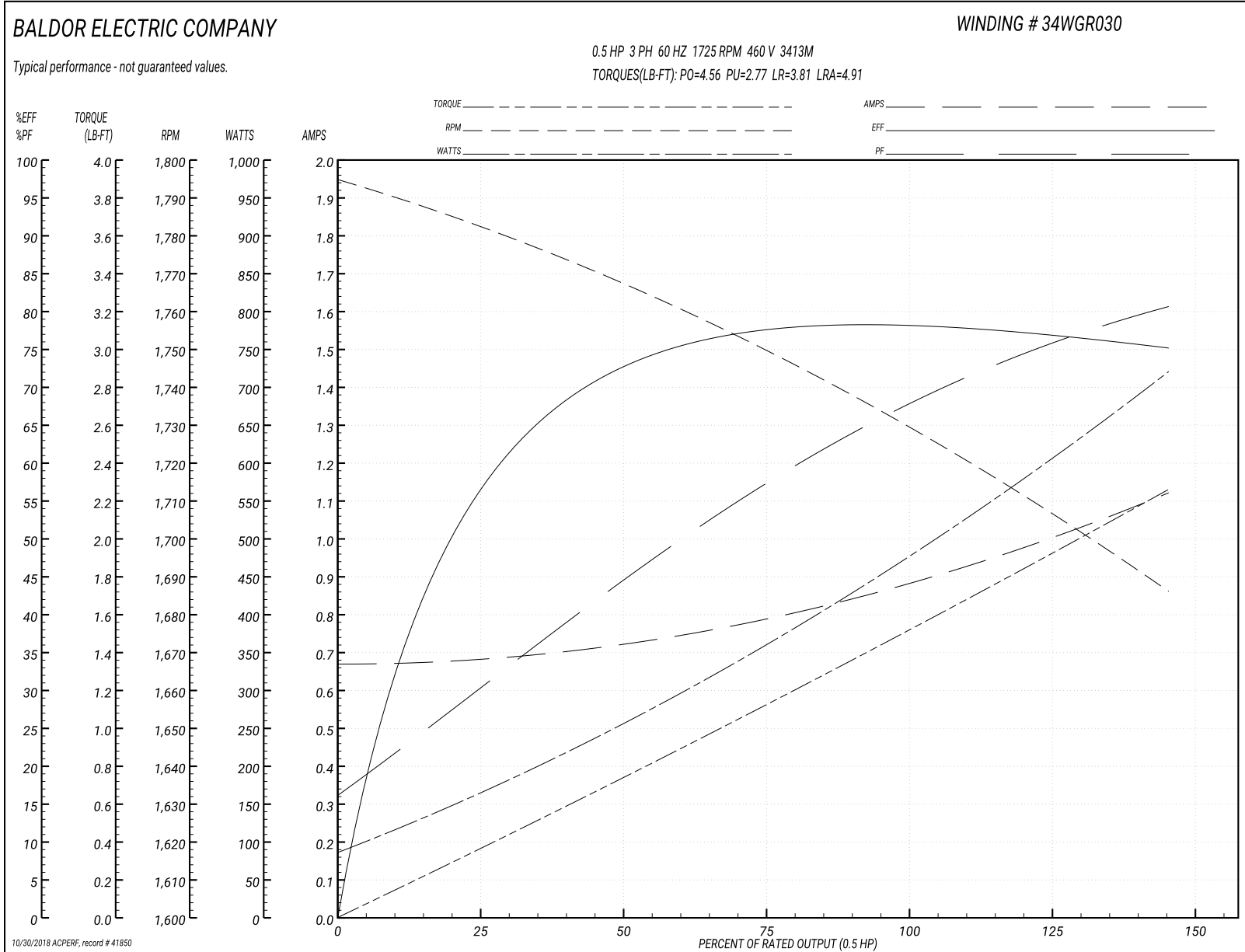
<b>Winding:</b> 34WGR030-R001	<b>Type:</b> 3413M	<b>Enclosure:</b> OPAO
-------------------------------	--------------------	------------------------

Nameplate Data				460 V, 60 Hz: High Voltage Connection	
Rated Output (HP)	.5			Full Load Torque	1.51 LB-FT
Volts	230/460			Start Configuration	direct on line
Full Load Amps	1.8/9			Breakdown Torque	4.56 LB-FT
R.P.M.	1725			Pull-up Torque	2.77 LB-FT
Hz	60	Phase	3	Locked-rotor Torque	3.81 LB-FT
NEMA Design Code	B	KVA Code	J	Starting Current	4.91 A
Service Factor (S.F.)	1.25			No-load Current	0.669 A
NEMA Nom. Eff.	72	Power Factor	68	Line-line Res. @ 25°C	48.65 Ω
Rating - Duty	40C AMB-CONT			Temp. Rise @ Rated Load	
S.F. Amps	2/1			Temp. Rise @ S.F. Load	
				Locked-rotor Power Factor	69
				Rotor inertia	0.031 LB-FT <sup>2</sup>

Load Characteristics 460 V, 60 Hz, 0.5 HP

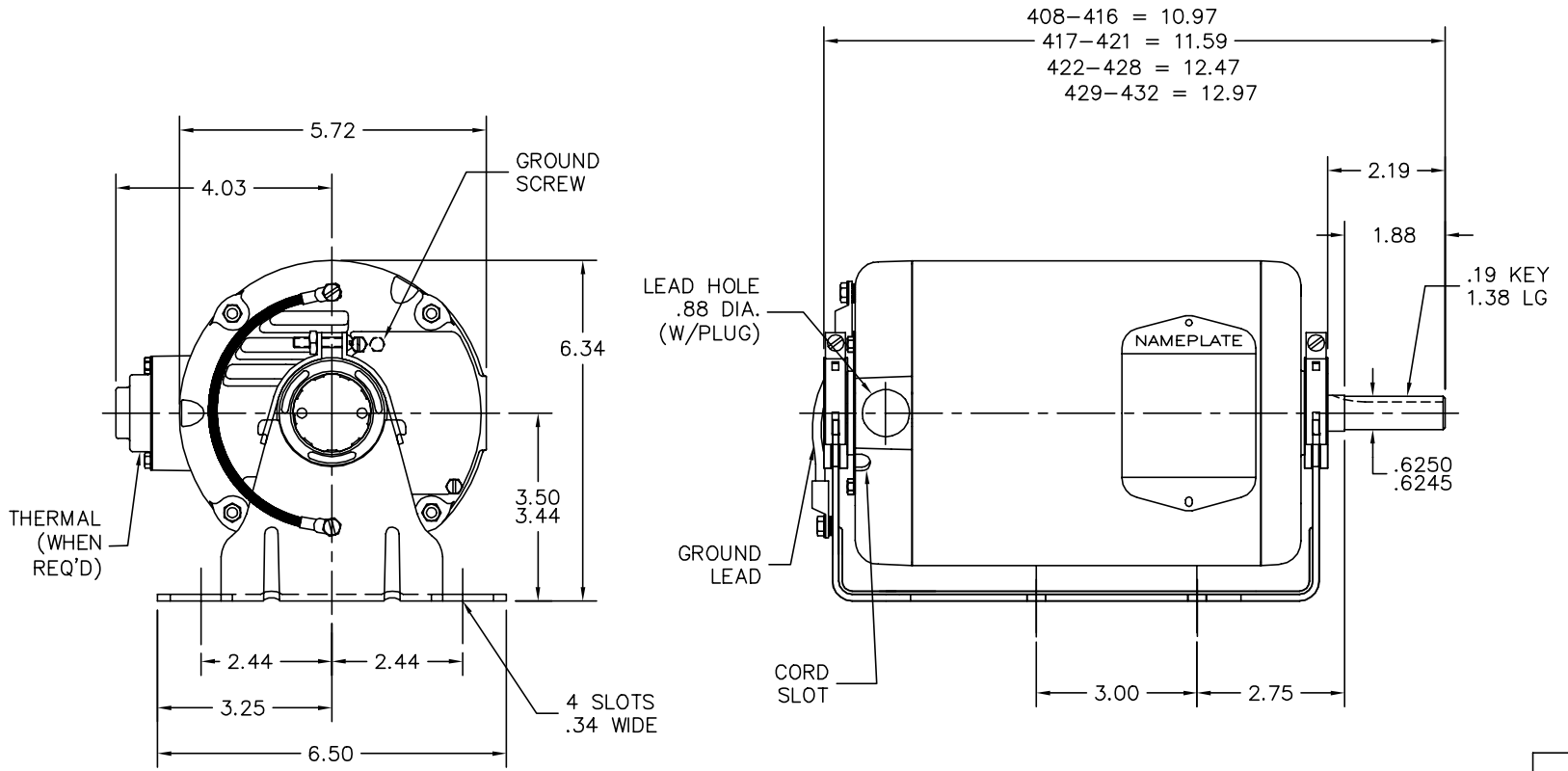
% of Rated Load	25	50	75	100	125	150	S.F.
Power Factor	31	46	58	68	74	79	74
Efficiency	55.9	74.4	77.4	77.4	77.8	75	77.8
Speed	1782	1767	1749	1729	1711	1685	1711
Line amperes	0.684	0.723	0.79	0.886	0.983	1.126	0.983

Performance Graph at 460V, 60Hz, 0.5HP Typical performance - Not guaranteed values





34LYK019



CUSTOMER IS RESPONSIBLE FOR DETERMINING THAT BALDOR'S PRODUCT WILL PERFORM SUITABLY IN THE INTENDED APPLICATION.

REV. DESC: UPDATE PARTS, ADD/FIX DIMS & STANDARIZE DESC.		
REV. LTR: C	VERSION: 01	TDR: 000000873424
FILE: \AAA\00026\681	REVISED: 12: 42: 11 09/30/2014	BY: ENMAIYO
MTL: -		

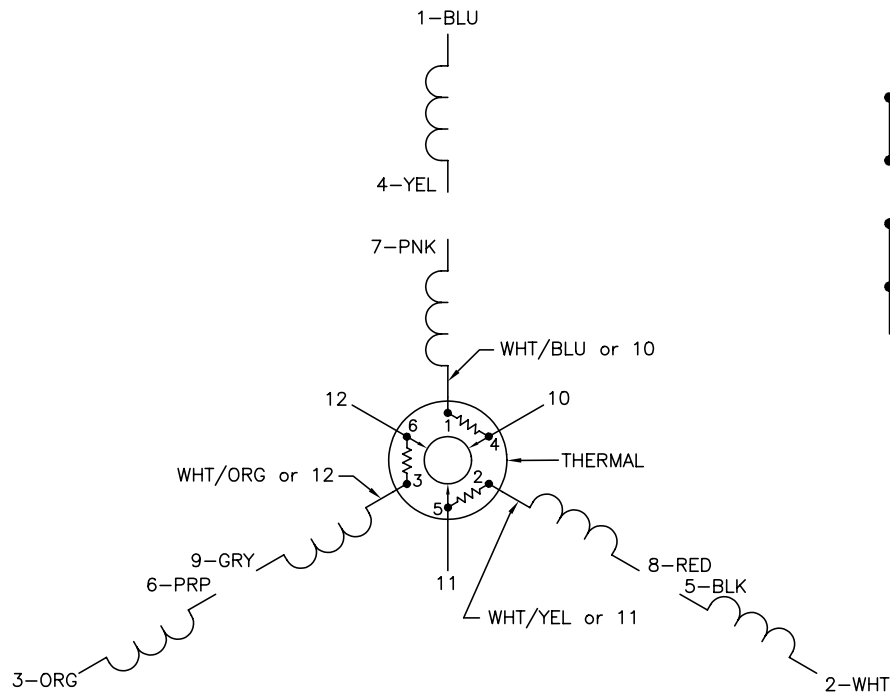
**BALDOR**

STD RESIL MTD MODEL 34M NEMA 56 OPEN W/TERM PANEL

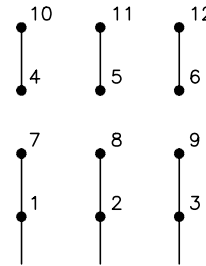
SH 1 of 1

34LYK019

CD0007

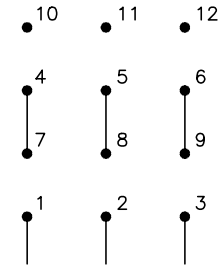


LOW VOLTAGE  
(2Y)



LINE

HIGH VOLTAGE  
(1Y)



LINE

NOTES:

1. INTERCHANGE ANY TWO LINE LEADS TO REVERSE ROTATION.
2. ACTUAL NUMBER OF INTERNAL PARALLEL CIRCUITS MAY VARY.
3. LEAD COLORS ARE OPTIONAL. LEADS MUST ALWAYS BE NUMBERED AS SHOWN.

REV. DESC: ADDED "CK" PLANT CODE			
REV. LTR: E	BY: EAH	REVISED: 05/06/99 17:1	TDR: 0181040
L00000		FILE: AAA00008370	MDL: -
		MTL: -	

**BALDOR ELECTRIC Co.**

3PH, DV, THERMAL, 12 LEADS

CD0007