

**BALDOR® • RELIANCE** 

**Product Information Packet**

**RM3154A**

**1.5HP, 1725RPM, 3PH, 60HZ, 56H, 3520M, OPAO, F1**

Part Detail							
Revision:	E	Status:	PRD/A	Change #:		Proprietary:	No
Type:	AC	Elec. Spec:	35WGL469	CD Diagram:	CD0007	Mfg Plant:	
Mech. Spec:	35N501	Layout:	35LYN501	Poles:	04	Created Date:	12-22-2015
Base:	RS	Eff. Date:	10-04-2018	Leads:	12#18		

Specs			
Catalog Number:	RM3154A	Insulation Class:	F
Enclosure:	OPAO	Inverter Code:	Not Inverter
Frame:	56H	KVA Code:	K
Frame Material:	Steel	Lifting Lugs:	No Lifting Lugs
Output @ Frequency:	1.500 HP @ 60 HZ	Locked Bearing Indicator:	No Locked Bearing
Synchronous Speed @ Frequency:	1800 RPM @ 60 HZ	Motor Lead Quantity/Wire Size:	12 @ 18 AWG
Voltage @ Frequency:	208.0 V @ 60 HZ	Motor Lead Exit:	Terminal Panel
	230.0 V @ 60 HZ	Motor Lead Termination:	Flying Leads
	460.0 V @ 60 HZ	Motor Type:	3520M
XP Class and Group:	None	Mounting Arrangement:	F1
XP Division:	Not Applicable	Power Factor:	72
Agency Approvals:	UR	Product Family:	General Purpose
	CSA	Pulley End Bearing Type:	Ball
Auxillary Box:	No Auxillary Box	Pulley Face Code:	Resilient Mount
Auxillary Box Lead Termination:	None	Pulley Shaft Indicator:	Standard
Base Indicator:	Resilient	Rodent Screen:	None
Bearing Grease Type:	Polyrex EM (-20F +300F)	RoHS Status:	ROHS COMPLIANT
Blower:	None	Shaft Extension Location:	Pulley End

<b>Current @ Voltage:</b>	2.400 A @ 460.0 V	<b>Shaft Ground Indicator:</b>	No Shaft Grounding
	4.800 A @ 230.0 V	<b>Shaft Rotation:</b>	Reversible
	5.000 A @ 208.0 V	<b>Shaft Slinger Indicator:</b>	No Slinger
<b>Design Code:</b>	B	<b>Speed Code:</b>	Single Speed
<b>Drip Cover:</b>	No Drip Cover	<b>Motor Standards:</b>	NEMA
<b>Duty Rating:</b>	CONT	<b>Starting Method:</b>	Direct on line
<b>Electrically Isolated Bearing:</b>	Not Electrically Isolated	<b>Thermal Device - Bearing:</b>	NONE (OLD)
<b>Feedback Device:</b>	NO FEEDBACK	<b>Thermal Device - Winding:</b>	Do Not Use Eve-Not Valid
<b>Front Face Code:</b>	Terminal Panel	<b>Vibration Sensor Indicator:</b>	No Vibration Sensor
<b>Front Shaft Indicator:</b>	None	<b>Winding Thermal 1:</b>	Automatic Thermal Overload
<b>Heater Indicator:</b>	No Heater	<b>Winding Thermal 1 Location:</b>	ES
		<b>Winding Thermal 2:</b>	None

<b>Nameplate NP1257L</b>												
<b>CAT.NO.</b>	RM3154A											
<b>SPEC.</b>	35N501L469G1											
<b>HP</b>	1.5											
<b>VOLTS</b>	208-230/460											
<b>AMP</b>	5-4.8/2.4											
<b>RPM</b>	1725											
<b>FRAME</b>	56H					<b>HZ</b>	60			<b>PH</b>	3	
<b>SER.F.</b>	1.15			<b>CODE</b>	K			<b>DES</b>	B		<b>CL</b>	F
<b>NEMA-NOM-EFF</b>	78.5			<b>PF</b>	72							
<b>RATING</b>	40C AMB-CONT											
<b>CC</b>								<b>USABLE AT 208V</b>				
<b>DE</b>	6205			<b>ODE</b>	6203							
<b>ENCL</b>	OPAO			<b>SN</b>								

Parts List		
Part Number	Description	Quantity
SA325472	SA 35N501L469G1	1.000 EA
RA313341	RA 35N501L469G1	1.000 EA
11XW0832G06	#8-32 X 3/8, TAPTITE II, HEX WSHR SLTD	1.000 EA
35EP3202A01	STD OPEN FR EP - RESILIENT MTD	1.000 EA
RM1000A02	CUSHION RING, MODEL 35 SAME AS A07	1.000 EA
HA6005A01	CLAMP, BASE	2.000 EA
51XN1032A20	10-32 X 1 1/4 HX WS SL SR	1.000 EA
51XN1032A20	10-32 X 1 1/4 HX WS SL SR	1.000 EA
XY1032A02	10-32 HEX NUT DIRECTIONAL SERRATION	1.000 EA
LD5000A01	LEAD ASSY, ML1400DF14 7" RING TRM EA END	1.000 EA
51XW1032A06	10-32 X .38, TAPTITE II, HEX WSHR SLTD S	2.000 EA
HW1003A10	WASHER, #10 EX TH LK, ZN X	2.000 EA
SP1003A06	TERM. BOARD, MODE 35 SW X H-23655 SPL CU	1.000 EA
51XW0832A07	8-32 X .44, TAPTITE II, HEX WSHR SLTD SE	2.000 EA
WD4100A01	DP-875 HEYCO PLUG OR 62MP0875 MICRO PLAS	1.000 EA
HW5100A03	WAVY WASHER (W1543-017)	1.000 EA
35EP1209A01	PU ENDPLATE, MACH	1.000 EA
RM1000A02	CUSHION RING, MODEL 35 SAME AS A07	1.000 EA
HA6005A01	CLAMP, BASE	2.000 EA
XY1032A02	10-32 HEX NUT DIRECTIONAL SERRATION	1.000 EA
XY1032A02	10-32 HEX NUT DIRECTIONAL SERRATION	4.000 EA
35CB4500SP	TERMINAL BOX LID STAMPED	1.000 EA
51XW0832A07	8-32 X .44, TAPTITE II, HEX WSHR SLTD SE	2.000 EA
HW2501D13	KEY, 3/16 SQ X 1.375	1.000 EA

<b>Parts List (continued)</b>		
<b>Part Number</b>	<b>Description</b>	<b>Quantity</b>
HA7000A04	KEY RETAINER 0.625 DIA SHAFTS	1.000 EA
85XU0407S04	4X1/4 U DRIVE PIN STAINLESS	2.000 EA
MJ1000A02	GREASE, POLYREX EM EXXON (USe 4824-15A)	0.050 LB
MG1000G27	MED CHARCOAL METALLIC GREY 400-0096	0.017 GA
35BA4002B01	RESILIENT BASE, STAMPED	1.000 EA
35AD2005B01	BAFFLE PLATE,MOD 35-SLTD BAND MTR GL.F.	1.000 EA
35AD2008B01	AIR DEFLECTOR FOR SL BANDW/THERMAL IN FR	1.000 EA
HA3100A18	THRUBOLT 10-32 X 9.250	4.000 EA
LB1118	LABEL,WARNING (ROLL LABEL)	1.000 EA
LC0007	CONNECTION LABEL	1.000 EA
NP1257L	ALUM UL CSA CC THERMAL REV MTG	1.000 EA
35PA1066	PKG GRP, PRINT PK1008A06	1.000 EA
MN416A01	TAG-INSTAL-MAINT no wire (1200/bx) 5/18	1.000 EA

**AC Induction Motor Performance Data**

Record # 61276 - Typical performance - not guaranteed values

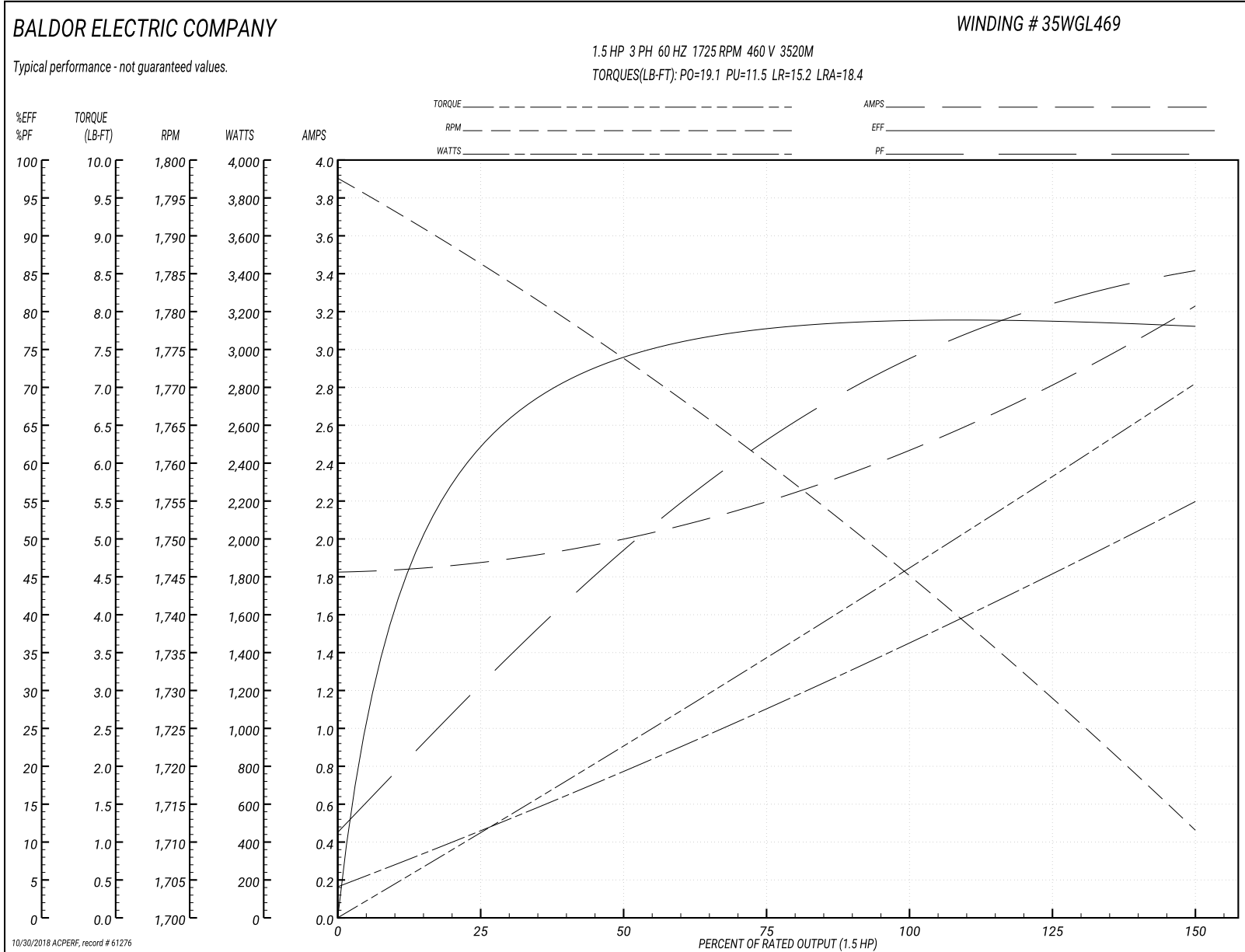
<b>Winding:</b> 35WGL469-R002	<b>Type:</b> 3520M	<b>Enclosure:</b> OPSB
-------------------------------	--------------------	------------------------

Nameplate Data				460 V, 60 Hz: High Voltage Connection	
Rated Output (HP)	1.5			Full Load Torque	4.7 LB-FT
Volts	208-230/460			Start Configuration	direct on line
Full Load Amps	5-4.8/2.4			Breakdown Torque	19.1 LB-FT
R.P.M.	1725			Pull-up Torque	11.5 LB-FT
Hz	60	Phase	3	Locked-rotor Torque	15.2 LB-FT
NEMA Design Code	B	KVA Code	K	Starting Current	18.4 A
Service Factor (S.F.)	1.15			No-load Current	1.84 A
NEMA Nom. Eff.	78.5	Power Factor	72	Line-line Res. @ 25°C	12.3 Ω
Rating - Duty	40C AMB-CONT			Temp. Rise @ Rated Load	54°C
S.F. Amps				Temp. Rise @ S.F. Load	61°C
				Locked-rotor Power Factor	73.1
				Rotor inertia	0.119 LB-FT <sup>2</sup>

Load Characteristics 460 V, 60 Hz, 1.5 HP

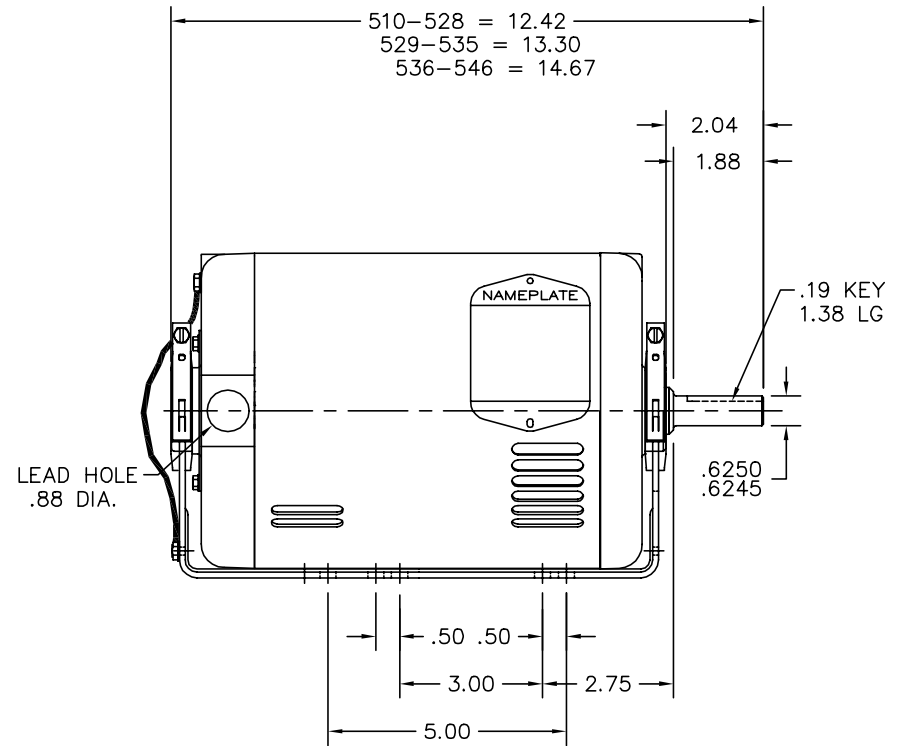
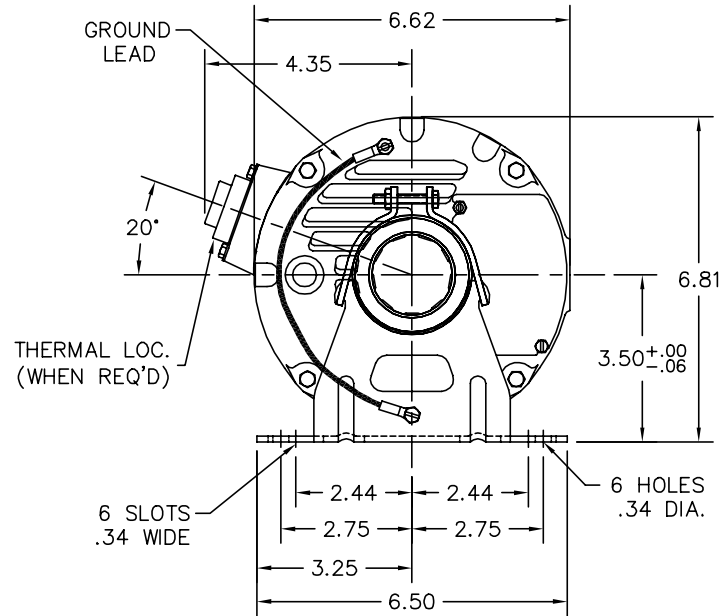
% of Rated Load	25	50	75	100	125	150	S.F.
Power Factor	32	50	64	74	81	86	78
Efficiency	62.4	74.4	77.9	79.5	78.2	78.2	78.7
Speed	1786	1774	1759	1744	1726	1713	1733
Line amperes	1.87	1.99	2.21	2.5	2.87	3.2	2.72

Performance Graph at 460V, 60Hz, 1.5HP Typical performance - Not guaranteed values





35LYN501



CUSTOMER IS RESPONSIBLE FOR DETERMINING THAT BALDOR'S PRODUCT WILL PERFORM SUITABLY IN THE INTENDED APPLICATION.

REV. DESC: NO CHANGE		
REV. LTR: C	VERSION: 02	TDR: 000000771981
FILE: \AAA\00035\675		REVISED: 08: 46: 25 11/01/2012
MTL: -		BY: ENJERWO

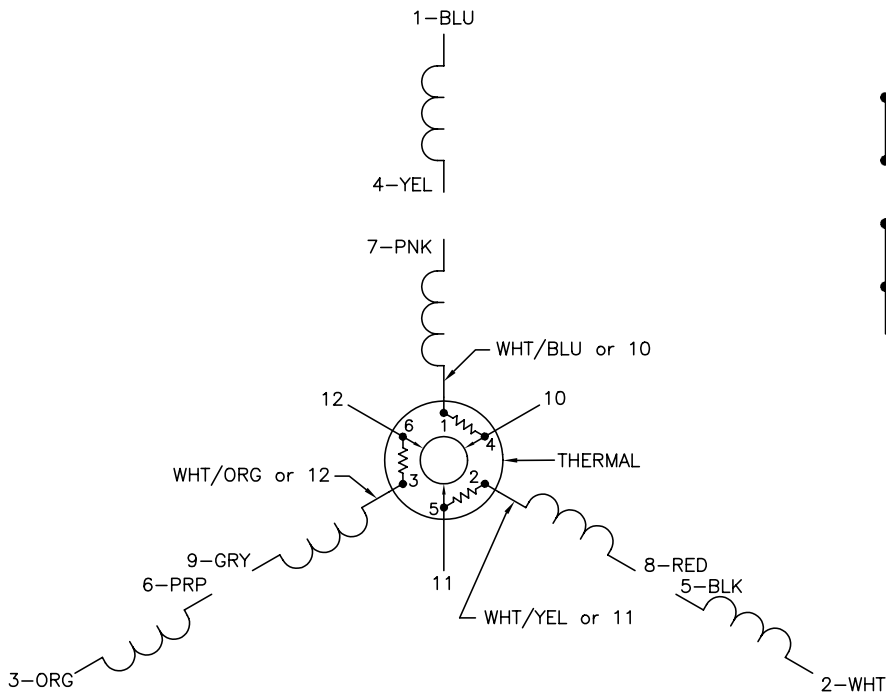
**BALDOR**

RESIL MTD 56/56H OPSB 35M

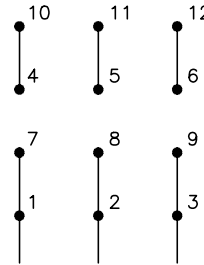
SH 1 of 1

35LYN501

CD0007

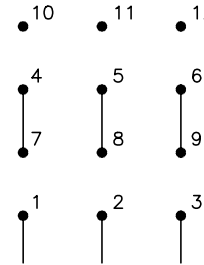


LOW VOLTAGE  
(2Y)



LINE

HIGH VOLTAGE  
(1Y)



LINE

NOTES:

1. INTERCHANGE ANY TWO LINE LEADS TO REVERSE ROTATION.
2. ACTUAL NUMBER OF INTERNAL PARALLEL CIRCUITS MAY VARY.
3. LEAD COLORS ARE OPTIONAL. LEADS MUST ALWAYS BE NUMBERED AS SHOWN.

REV. DESC: ADDED "CK" PLANT CODE			
REV. LTR: E	BY: EAH	REVISED: 05/06/99 17:1	TDR: 0181040
L00000		FILE: AAA00008370	MDL: -
		MTL: -	

**BALDOR ELECTRIC Co.**

3PH, DV, THERMAL, 12 LEADS

CD0007